

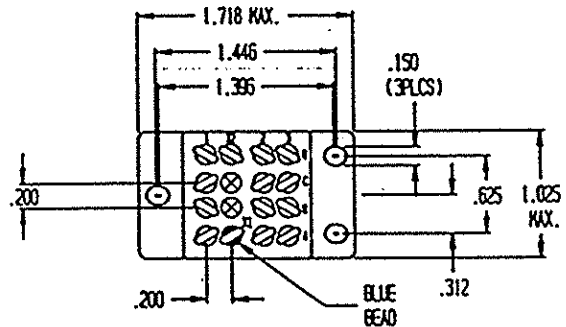
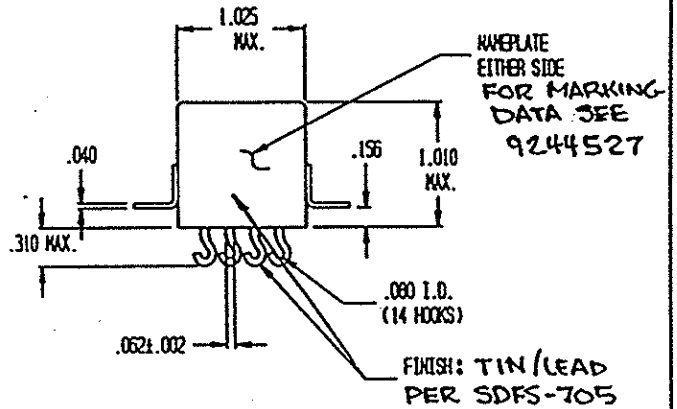
# MSD INC.

# ENGINEERING DATA SHEET

RELAY TYPE: FCA-410-1621M	COMPUTER PART No.: 9244 527	TEST PROCEDURE MSDP-790
CUSTOMER/SPECIFICATION: MIL-R-83536/16-021	REV NONE	

### TEST REQUIREMENTS

COIL RES.: 290 +/- 10% ohms OPERATE TIME: 15 mS Max RELEASE TIME: 15 mS Max  
 CONTACT MAKE BOUNCE: 1 mS Max N.O. BREAK BOUNCE: 0.1 mS Max  
 CONTACT STABILIZATION TIME: 2.5 mS Max RATED COIL VOLTAGE: 28 Vdc  
 CONTACT RES.: MFG TEST: 8 Milliohms @ 10 mA FINAL TEST: 10 Milliohms @ 10 mA  
 CONTACT VOLTAGE DROP: FINAL TEST: 100 mV Max @ 10 A - 6 V dc  
 HI-POT: 1250 V rms ALL POINTS, EXCEPT 1000 V rms COIL TO CASE  
 INSULATION RESISTANCE: 100 Megohms Min @ 500 V dc  
 VIBRATION: MIL-STD-202, METHOD 204 (30G's / 100-3000Hz)  
 SEAL TEST: 1X10<sup>-8</sup> Max LEAK RATE COIL TRANSIENT SUPPRESSION: 42 V dc MAX  
 OTHER: \_\_\_\_\_



TERMINAL LETTERS & NUMBERS FOR REFERENCE ONLY.  
DOES NOT APPEAR ON RELAY HEADER.

Prepared By: Date	Approved By: Date	
LES WYNNE 3-8-96	<i>[Signature]</i> 3-19-96	
Rev	ECN No.	Date
A	96-065	3-8-96

### SPECIAL INSTRUCTIONS