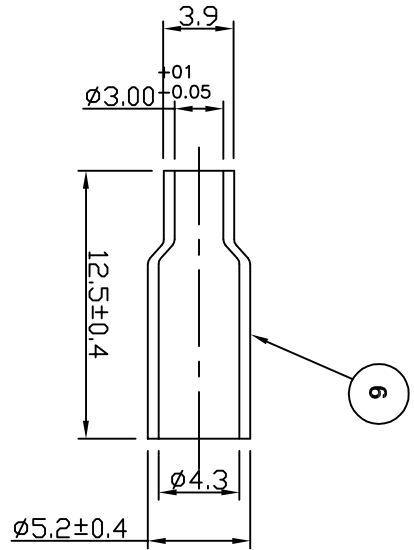
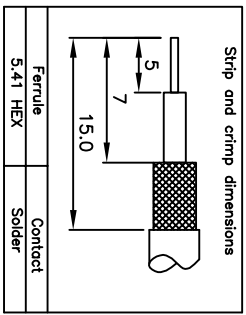


For stripping and assembly instructions see Drawing Number: VAIN1104



**Electrical Characteristics**

Nominal Impedance: 50 ohms  
 Frequency Range: DC to 11 GHz  
 VSWR: 1.35:1 maximum  
 Insertion Loss: 0.17dB max  
 Operating Voltage (rms): 1500 V maximum at sea level  
 Dielectric Withstand Voltage (rms): 2500 V maximum at sea level  
 Contact Resistance: 1.0 milliohms maximum  
 Insulation Resistance: 5000 megohms minimum

**Mechanical Characteristics**

Mating Cycles: 500 cycles minimum  
 Interface Dimensions: Conform to MIL-C-39012

**Environmental Characteristics**

Temperature Range: -65 °C to +165 °C

PART	DESCRIPTION
1	Body Brass, nickel plated
2	Dielectric PTFE
3	Sleeve Brass, nickel plated
4	Sleeve Teflon
5	Contact Brass, gold plated
6	Ferrule Brass, nickel plated

DESCRIPTION OF REVISION	MS	1	16 Jan 13
First Issue			
PART NUMBER:	APPVD	ISS	DATE



**EMERSON**  
 Network Power  
 Connectivity Solutions  
 11 Bilton Road,  
 Chelmsford, Essex,  
 CM1 2UP, UK.  
 Tel: +44 (0) 1245 359515  
 Fax: +44 (0) 1245 358938

SCALE: Not To Scale	DRAWN BY: M Spooner
DIMENSIONS: mm	CHECKED BY: J Cracknell
TOLERANCES: ± 0.2mm unless otherwise stated	APPROVED BY: M Spooner
	DATE: 16 Jan 13

TITLE:  
**N Crimp Plug for RG174/U,  
 188A/U,316/U & LMR-100**

**VN10-2052**

PART NUMBER:	APPVD	ISS	DATE
PAGE: 1 of 1			