

Panel mounting frames - VS-08-A-RJ45/LP-1-IP67 - 1689446

Please be informed that the data shown in this PDF Document is generated from our Online Catalog. Please find the complete data in the user's documentation. Our General Terms of Use for Downloads are valid (<http://phoenixcontact.com/download>)



RJ45 panel mounting frame, IP67, for PCB connection, for square panel cutout, with grommet, without mounting screws, color: gray



Key Commercial Data

Packing unit	5 STK
GTIN	
GTIN	4017918910341

Technical data

Mechanical characteristics

Number of slots	1
Insertion/withdrawal cycles	≥ 1000
Color	gray
Degree of protection	IP67
Type	RJ45, IP67, version 6

Ambient conditions

Ambient temperature (operation)	-40 °C ... 80 °C
---------------------------------	------------------

Material data

Flammability rating according to UL 94	V0
Housing material	PA
Material	Plastic
Sealing material	NBR
Seal material	NBR
Depth	20 mm
Height	32.5 mm

Electrical characteristics

Panel mounting frames - VS-08-A-RJ45/LP-1-IP67 - 1689446

Technical data

Electrical characteristics

Degree of pollution	2
---------------------	---

Standards and Regulations

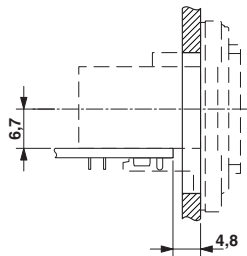
Flammability rating according to UL 94	V0
--	----

Environmental Product Compliance

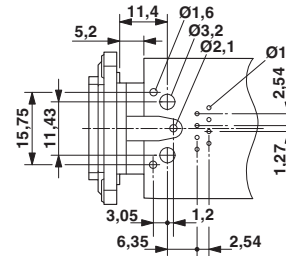
China RoHS	Environmentally friendly use period: unlimited = EFUP-e
	No hazardous substances above threshold values

Drawings

Dimensional drawing

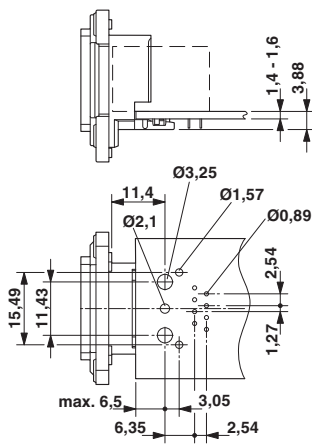


Drilling diagram

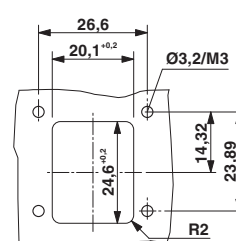


Drilling plan for VS-08-BU-RJ45-6/LH-1

Dimensional drawing



Dimensional drawing



Mounting cutout

Drilling plan for VS-08-BU-RJ45/LP-1

Approvals

Approvals

Panel mounting frames - VS-08-A-RJ45/LP-1-IP67 - 1689446


Approvals

Approvals

EAC

Ex Approvals

Approval details

EAC		B.01742
-----	---	---------

Phoenix Contact 2018 © - all rights reserved
<http://www.phoenixcontact.com>

PHOENIX CONTACT GmbH & Co. KG
Flachsmarktstr. 8
32825 Blomberg
Germany
Tel. +49 5235 300
Fax +49 5235 3 41200
<http://www.phoenixcontact.com>