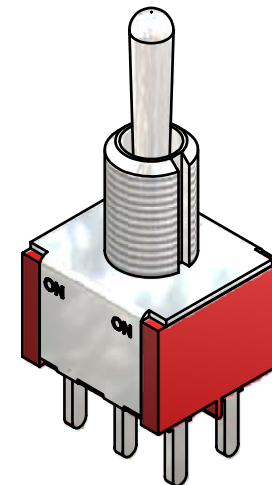
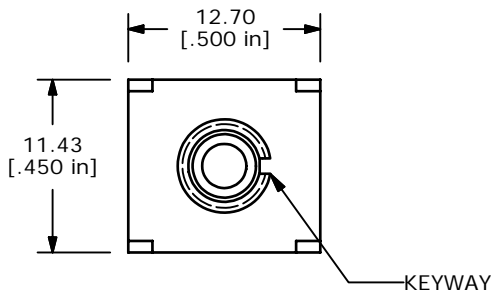
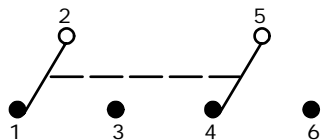


P.C. MOUNTING



| SWITCH FUNCTION |        |          |
|-----------------|--------|----------|
| POS. 1          | POS. 2 | POS. 3   |
|                 |        |          |
| ON              | NONE   | ON       |
| 2-3, 5-6        | N/A    | 2-1, 5-4 |

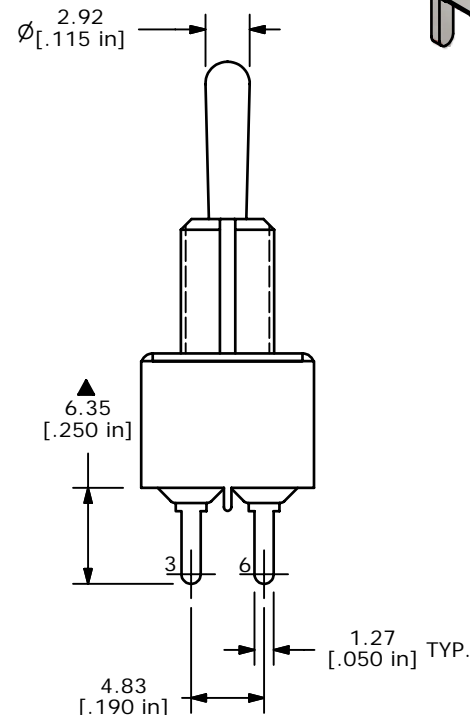
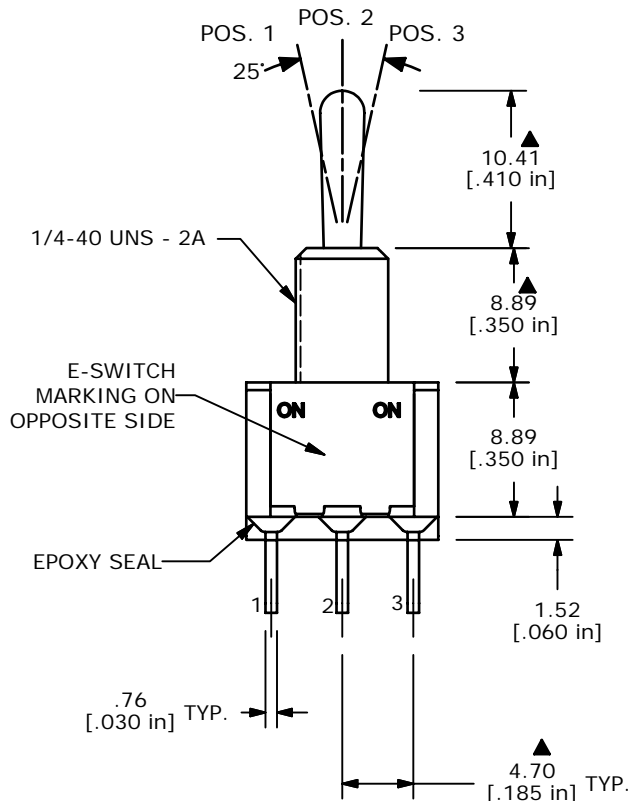
(ON) = MOMENTARY



CIRCUIT: DPDT

NOTE:

1. ALL DIMENSIONS IN MM [INCH]
2. GENERAL TOLERANCE: X.X=±0.4  
X.XX=±0.25
3. TERMINAL NUMBERS FOR REF ONLY
- ▲4. CONTACT MATERIAL: GOLD
5. RATING: 0.4 VA MAX. @ 20 VAC OR VDC MAX.
6. ELECTRIC LIFE: 40,000 make-and-break cycles at full load.
7. INSULATION RESISTANCE: 1,000 Mega-ohm min.
8. DIELECTRIC STRENGTH: 1,000 V RMS @sea level.
9. OPERATING TEMP.: -30°C to 85°C
10. ▲ DENOTES CRITICAL PARAMETER.
11. 2002/95/EC (ROHS) COMPLIANT
12. HARDWARE TO BE SHIPPED BULK:  
T100011 - LOCK WASHER (1)  
T100015 - LOCK RING (1)  
T100000 - HEX NUT (2)



**E-SWITCH®**

TITLE 100DP1T1B1M2REH

|     |        |                         |         |    |
|-----|--------|-------------------------|---------|----|
| A   | 16365  | RELEASED FOR PRODUCTION | 8/23/06 | BO |
| REV | PCR NO | DESCRIPTION             | DATE    | BY |

|       |           |    |          |     |
|-------|-----------|----|----------|-----|
| SCALE | DATE      | DR | DWG      | REV |
| 2:1   | 8/23/2006 | BO | ST121015 | A   |

THE INFORMATION CONTAINED IN THIS DOCUMENT IS PROPRIETARY TO E-SWITCH AND IS NOT TO BE COPIED OR TRANSFERRED