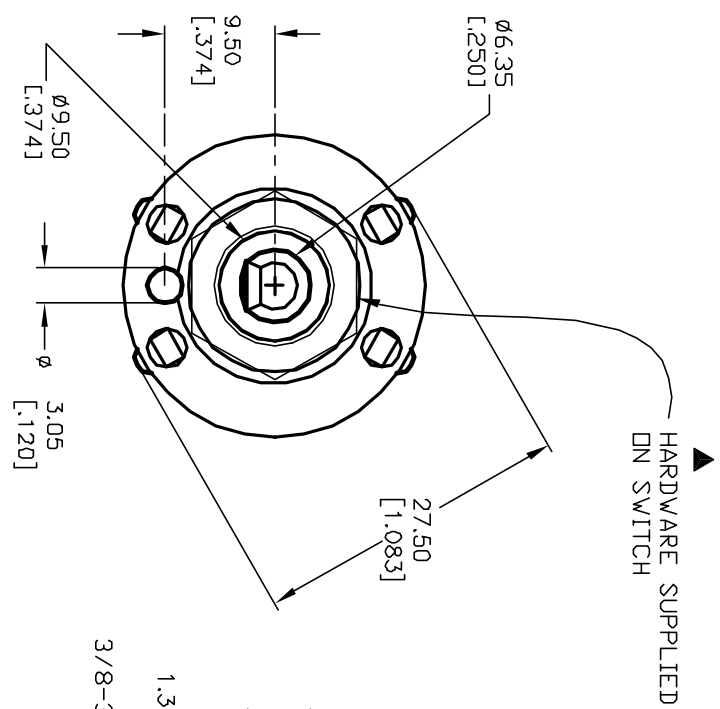
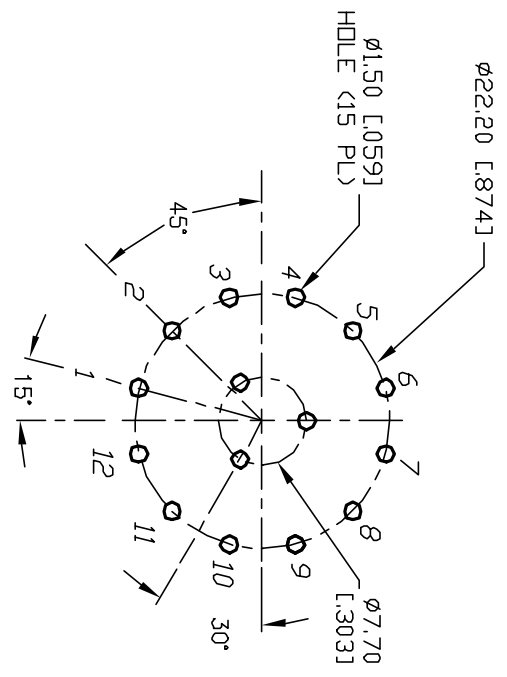
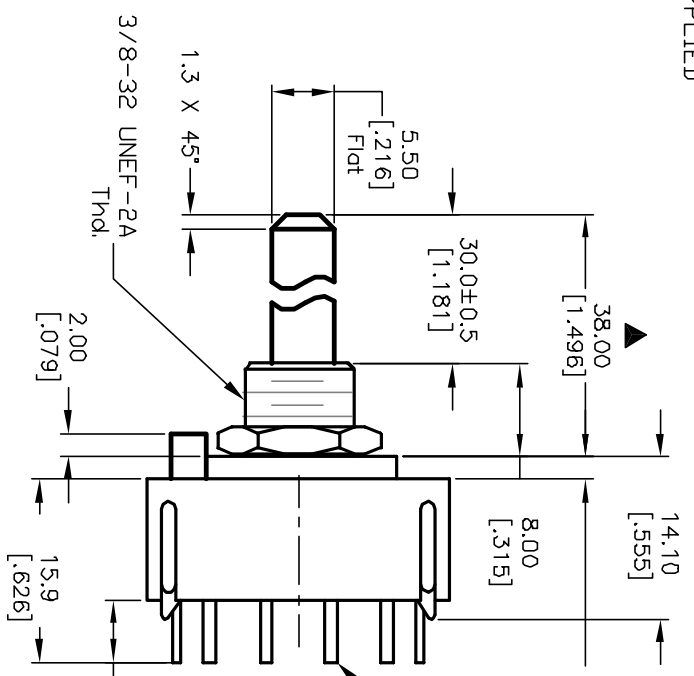
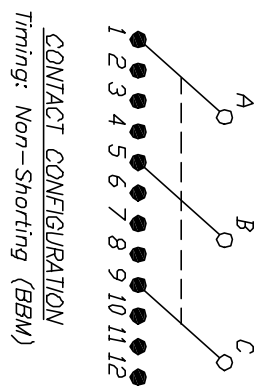


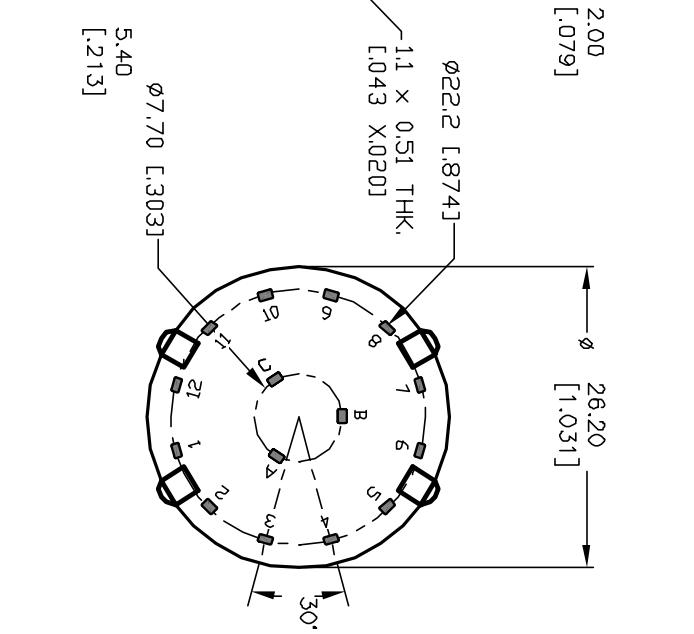
- NOTES:
1. ALL DIMENSION IN MM [INCH]
 2. GENERAL TOLERANCE: X.X=±0.4
X.XX=±0.25
 3. TERM. NOS. FOR REF. ONLY
 4. CONTACT RATING SWITCHING: 150mA, 250V AC/DC
350mA, 110V AC/DC
 5. CONTACT RATING (NON-SWITCHING) 5A
 6. CONTACT MATERIAL: SILVER OVER COPPER ALLOY
 7. OPERATING FORCE: 425±100 CM/STANDARD
 8. OPERATING TEMP: -30° to 85°C
 9. CIRCUIT 3P: 4 POSITIONS, 30° INDEX.
 10. DIELECTRIC STRENGTH 1000V RMS min. @ SEA LEVEL
 11. DESIGNATE MAJOR DIMENSIONS
 12. HARDWARE SUPPLIED ON SWITCH - SEE BELOW
LOCKRING, LOCKWASHER, & HEX NUT.



▲ HARDWARE SUPPLIED ON SWITCH



RECOMMENDED P.C.B. LAYOUT



C	12821	REVISED NOTE 12	2/19/03	CJB	TITLE			SCALE	DATE	DR	DWG	REV
B	12394	REV DESC PER NEW CATALOG	9/16/02	CJB	KC-34-A (30.0mm)-01-N-P-S			1.5:1	3/7/01	CJB	G510460	C
A	11281	RELEASED FOR PRODUCTION	3/7/01	CJB								
REV.	ECN No.	DESCRIPTION	DATE	CHKD								

THE INFORMATION CONTAINED IN THIS DOCUMENT IS PROPRIETARY TO E-SWITCH AND IS NOT TO BE COPIED OR TRANSFERRED

E-SWITCH®