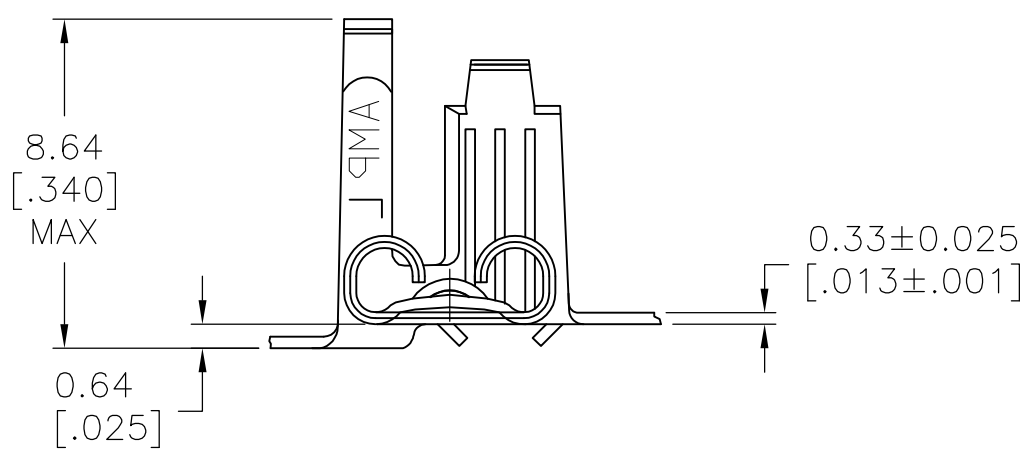
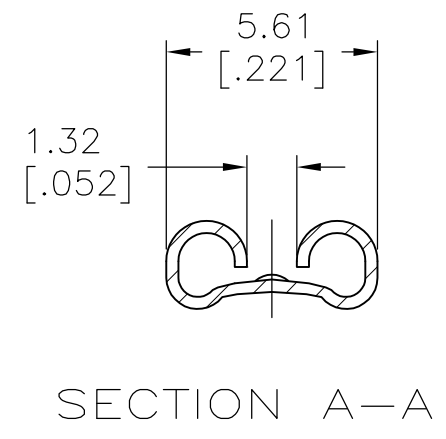
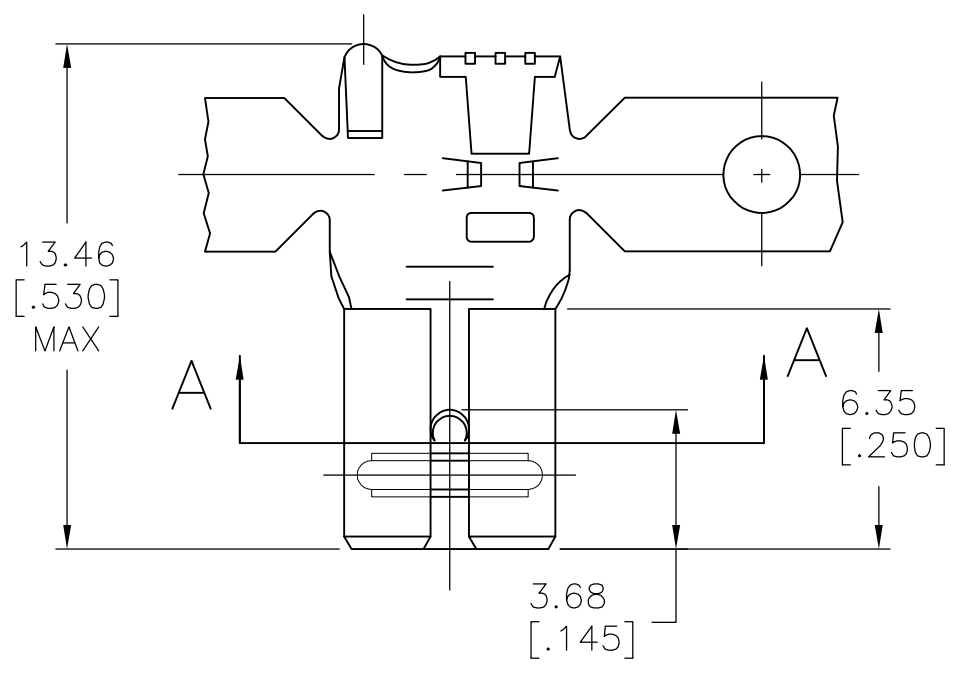



THIS DRAWING IS UNPUBLISHED. RELEASED FOR PUBLICATION  
 © COPYRIGHT - By - ALL RIGHTS RESERVED.

| LOC |     | DIST                      |  | REVISIONS |     |      |  |
|-----|-----|---------------------------|--|-----------|-----|------|--|
| P   | LTR | DESCRIPTION               |  | DATE      | DWN | APVD |  |
|     | G   | REVISED PER ECR-12-013518 |  | 23NOV2012 | KH  | PD   |  |

1. CONTINUOUS STRIP ON REELS.
2. ACCEPTS [#20-#16] AWG. WIRE SIZE
3. INSULATION RANGE TO BE 2.79-4.32 [.110-.170] DIA
4. FEED IS 16.51±0.076[.650±.003]



|        |                           |         |
|--------|---------------------------|---------|
| TIN    | 0.51±0.025<br>[.020±.001] | 63476-2 |
| -      |                           | 63476-1 |
| FINISH | MATING TAB THICKNESS      | PART NO |

|   |       |              |           |          |  |       |     |           |        |            |         |               |   |
|---|-------|--------------|-----------|----------|--|-------|-----|-----------|--------|------------|---------|---------------|---|
| THIS DRAWING IS A CONTROLLED DOCUMENT.  |       | DWN          | JR RUTH   | 10/23/87 |  TE Connectivity<br>RECEPTACLE, LIF, FASTON, FLAG, 4.75 [.187] SERIES |       |     |           |        |            |         |               |   |
| DIMENSIONS: mm [INCHES]   |       | CHK          | G YETTER  | 10/23/87 |  |       |     |           |        |            |         |               |   |
| TOLERANCES UNLESS OTHERWISE SPECIFIED:  |       | APVD         | R KUZO    | 10/23/87 |  |       |     |           |        |            |         |               |   |
| 0 PLC ± -<br>1 PLC ± -<br>2 PLC ± 0.25 [.010]<br>3 PLC ± -<br>4 PLC ± -<br>ANGLES ± - |       | PRODUCT SPEC | -         | -        |  |       |     |           |        |            |         |               |   |
| MATERIAL  | BRASS | FINISH       | SEE TABLE | WEIGHT   | -  | SIZE  | A3  | CAGE CODE | 00779  | DRAWING NO | C-63476 | RESTRICTED TO | - |
| CUSTOMER DRAWING  |       |              |           |          |  | SCALE | 5:1 | SHEET     | 1 OF 1 | REV        | G       |               |   |