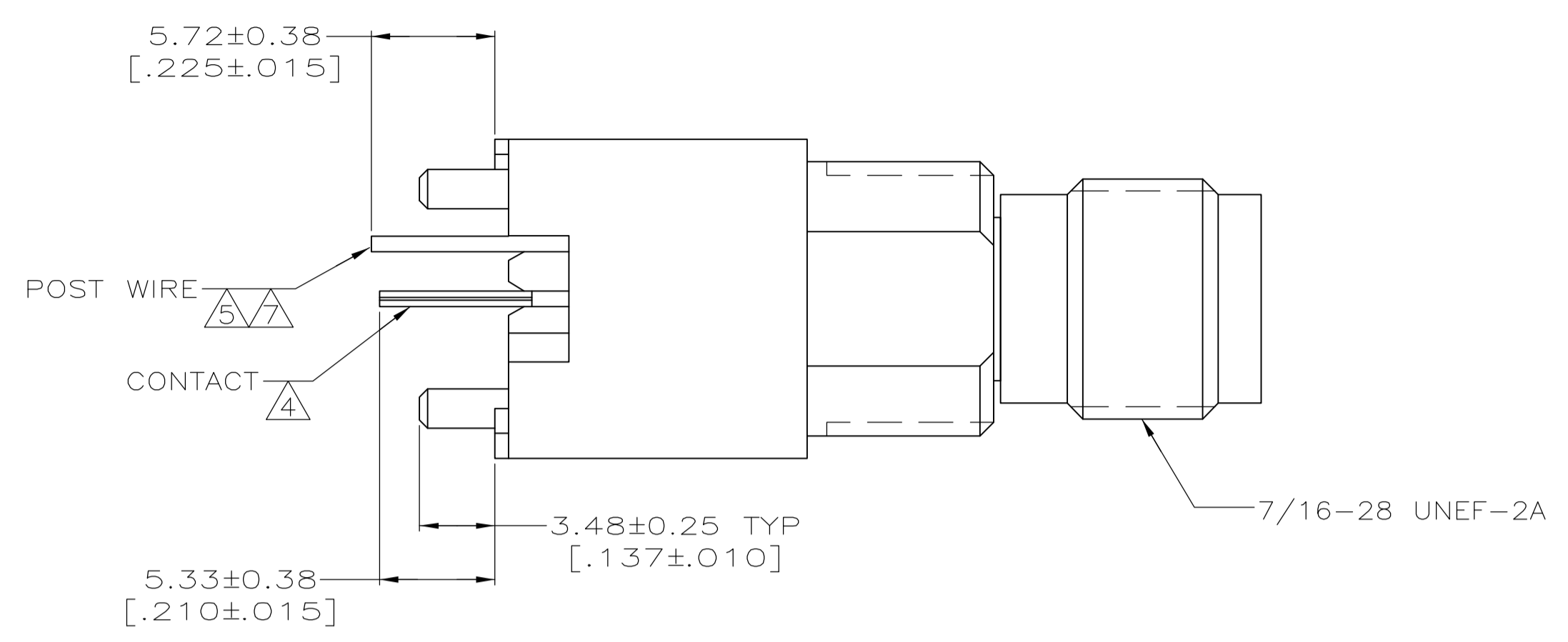
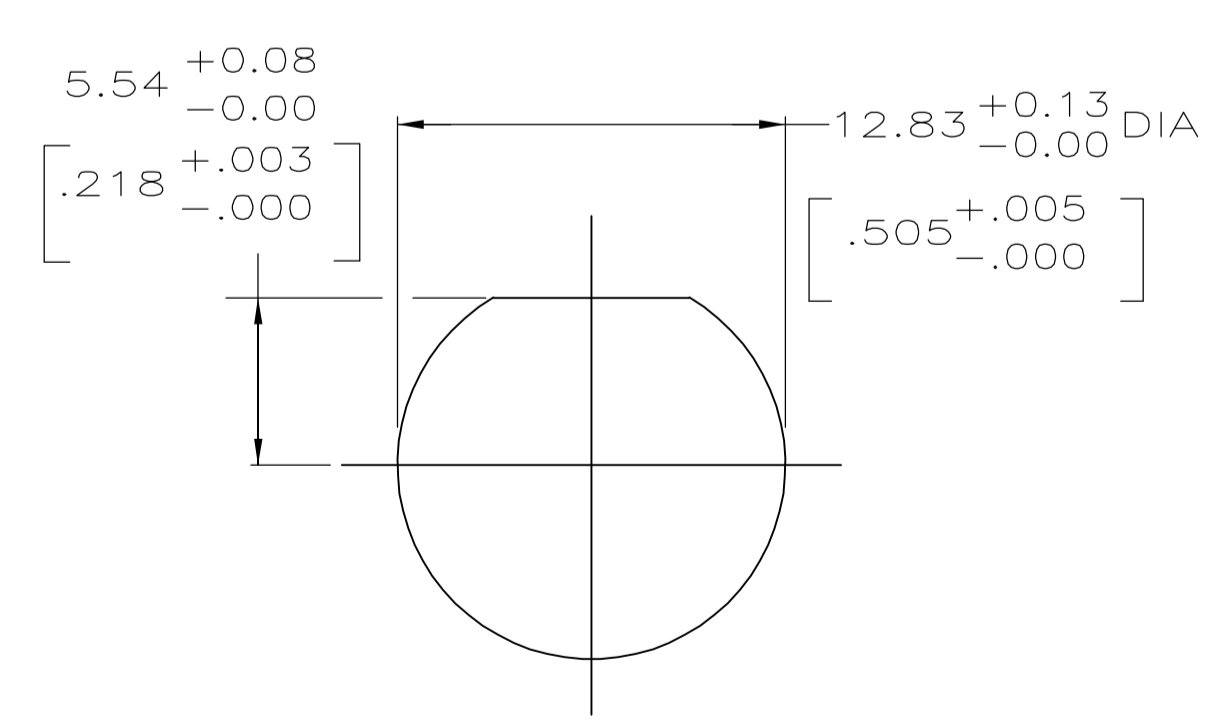
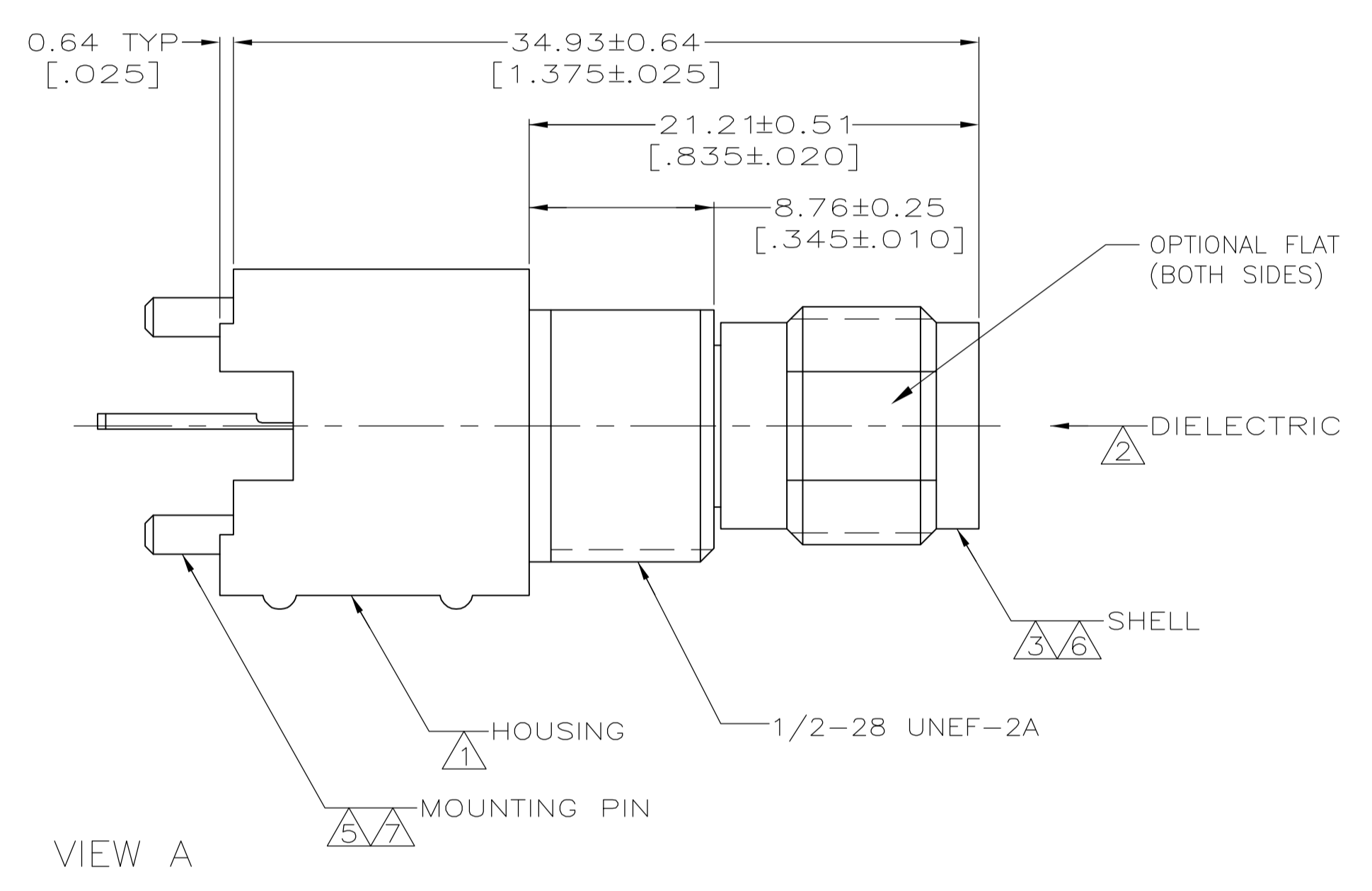
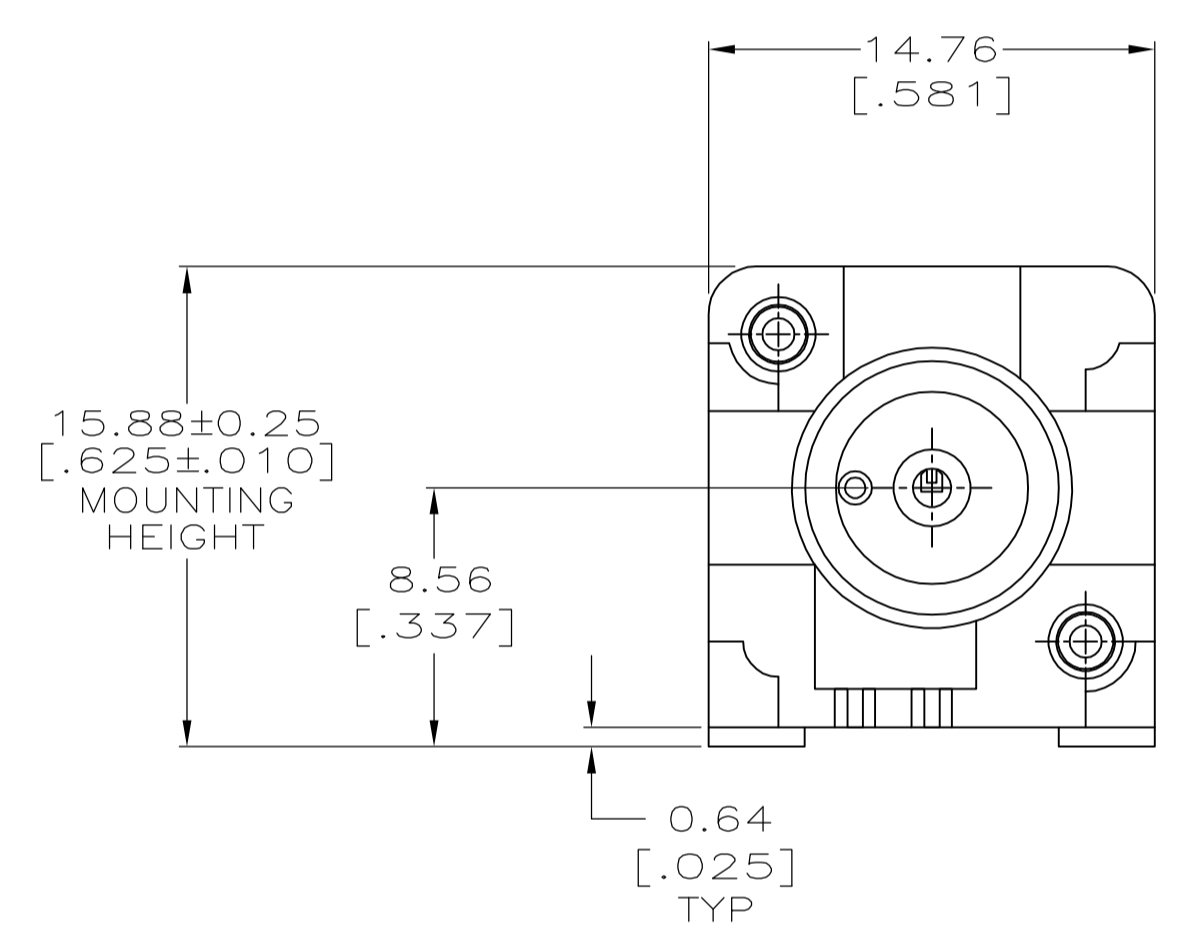


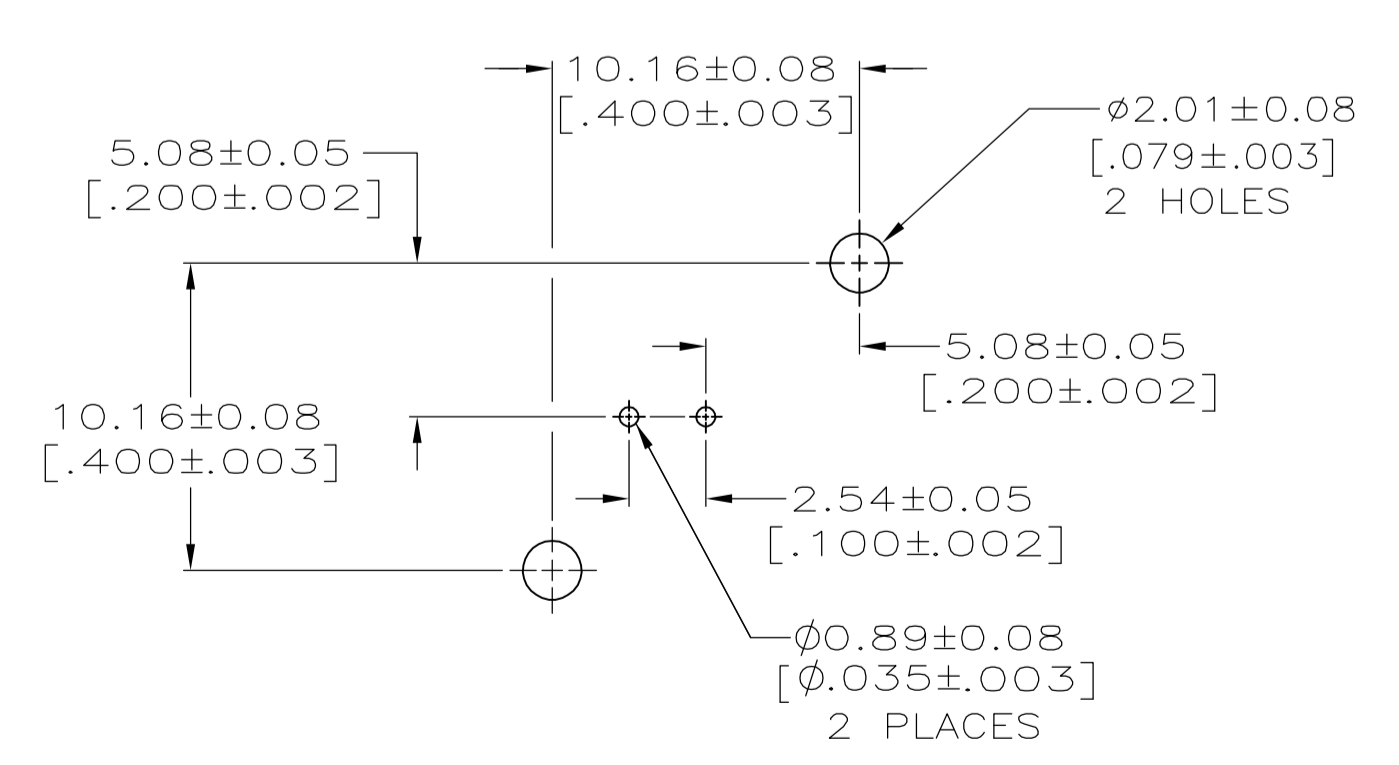
LOC		DIST		REVISIONS			
P	L/R	DESCRIPTION	DATE	DWN	APVD		
01		REVISED PER ECO-06-011451	26MAY2006	KS	JL		



- 1 POLYESTER PBT PER MIL-M-24519, TYPE GPT-15F, UL94V-0 RATED, COLOR:NATURAL
- 2 POLYMETHYLPENTENE, GENERAL PURPOSE.
- 3 ZINC PER QQ-Z-363.
- 4 PHOSPHOR BRONZE PER QQ-B-750.
- 5 BRASS PER QQ-B-626.
- 6 NICKEL PLATE PER QQ-N-290, 3.81µm [.000150] MINIMUM THICK.
- 7 TIN PLATE PER ASTM-B-545, 3.81µm [.000150] MINIMUM THICK.
- 8 GOLD PLATE PER MIL-G-45204, 0.76µm [.000030] MINIMUM THICK.



RECOMMENDED PANEL CUTOUT



PCB CONFIGURATION

CONTACT FINISH	A	5227820-1
VIEW		
PART NUMBER		

THIS DRAWING IS A CONTROLLED DOCUMENT.		DWN L. VARELA - DOCKS 21APR2005	Tyco Electronics Corporation Harrisburg, Pa 17105-3608	
DIMENSIONS: mm (INCHES)		CHK J. HAVENER 21APR2005	NAME JACK, VERTICAL, PCB, SERIES TNC	
TOLERANCES UNLESS OTHERWISE SPECIFIED: 0 PLC ± - 1 PLC ± - 2 PLC ± 0.20 [.008] 3 PLC ± - 4 PLC ± - ANGLES ± -		APVD J. LIPPERT 21APR2005	RESTRICTED TO	
MATERIAL SEE NOTES 1-5		FINISH SEE NOTES 6-8	SIZE A1	CAGE CODE 00779
CUSTOMER DRAWING		SCALE 4:1	SHEET 1 OF 1	REV 01