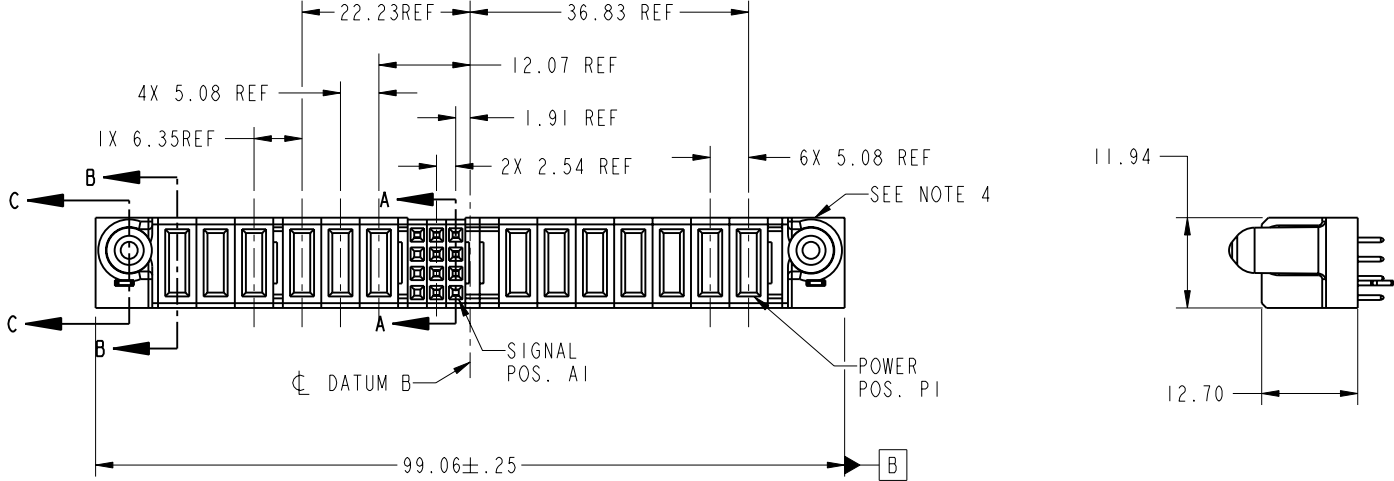


Tous droits strictement réservés. Reproduction ou communication o des tiers interdite sous quelque forme que ce soit sans autorisation écrite du propriétaire. Propriété de c FCI. Droits de reproduction FCI.



All rights strictly reserved. Reproduction or issue to third parties in any form whatever is not permitted without written authority from the proprietor. Property of FCI. Copyright FCI.

PRODUCT NO.	ROWS	POWER						SIGNAL			POWER					
		E2	P10	P9	P8	P7	P6	P5	3	2	1	P4	P3	P2	P1	E1
51940-193-- NOTE: 3	D C B A		PA	PA	PA	PD	PD	PD	E	E	E	PA	PD	PD	PD	



CODE	DIM "M" MATING LENGTH	CONTACT TYPE
E	[N/A]	SIGNAL
PA	[1.07]	POWER
PD	[2.34]	POWER
HA	[N/A]	HOLD-DOWN
X	OMITTED	

mat'l code				SEE NOTES		tolerances unless otherwise specified		CUSTOMER	
ltr	ecr no.	dr	date	linear	0.X ±0.3	projection		COPY	
A	DG06-0285	JMG	07/20/06	angles	0.XX ±0.10			title	
				dr	0.XXX ±0.050	MM		4ACP + 12S + 6P	
				engr	0° ±2°	scale		VERTICAL SOLDER RECEPT	
				chr	JM GUO 07/20/06	1:1		product family PwrBlade code	
				appd	SALLY LUO 07/20/06			size dwg no	
					BEER FU 07/20/06			A 51940-193	
					JOSEPH HSIA 07/20/06			213	
sheet index	revision sheet	A	A	A	A			1 of 4	
		1	2	3	4				

CONFIDENTIAL

www.fciconnect.com

title
4ACP + 12S + 6P
VERTICAL SOLDER RECEPT

product family PwrBlade code
size dwg no
A 51940-193

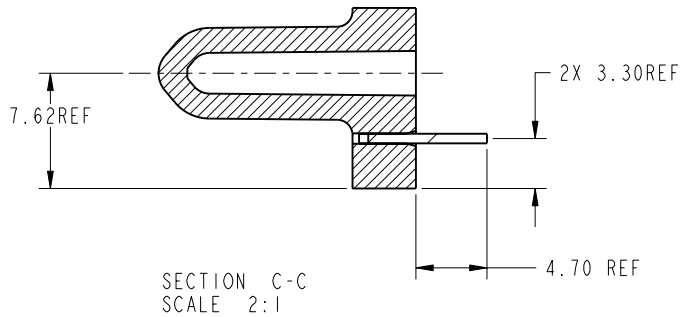
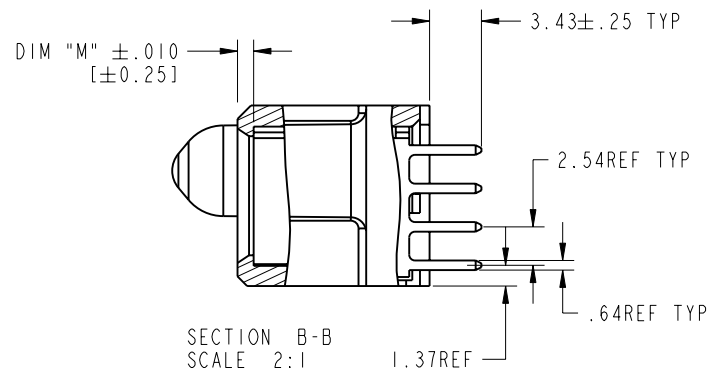
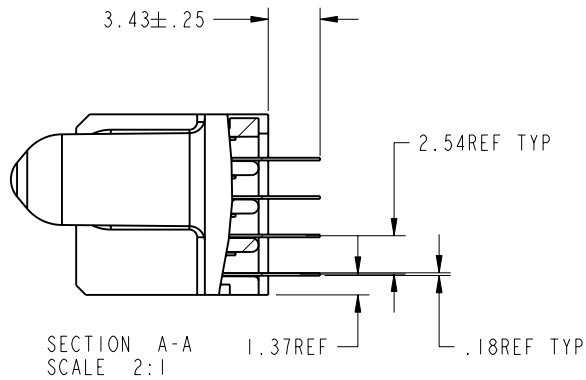
cage code
22526

Tous droits strictement reserves. Reproduction ou communication a des tiers interdite sous quelque forme que ce soit sans autorisation ecrite du proprietaire. Propriete de c FCI. Droits de reproduction FCI.

All rights strictly reserved. Reproduction or issue to third parties in any form whatever is not permitted without written authority from the proprietor. Property of FCI. Copyright FCI.

PRODUCT NUMBER

51940-193__
NOTE: 3



CONFIDENTIAL

mat'l code				tolerances unless otherwise specified		CUSTOMER		FCI www.fciconnect.com	
ltr	ecr no.	dr	date	linear	0.X ± 0.3	COPY		title	
A					0.XX ± 0.10	projection		4ACP + 12S + 6P VERTICAL SOLDER RECEPT	
				angles	0.XXX ± 0.050	MM		product family PwrBlade code	
				dr	JM GUO 07/20/06	scale		size	
				engr	SALLY LUO 07/20/06	1:1		A 51940-193	
				chr	BEER FU 07/20/06			sheet	
				appd	JOSEPH HSIA 07/20/06			2 of 4	
sheet index		revision sheet							

coge code 22526

Pro/E

PDM: Rev:A

STATUS: Released

Printed: Dec 20, 2010

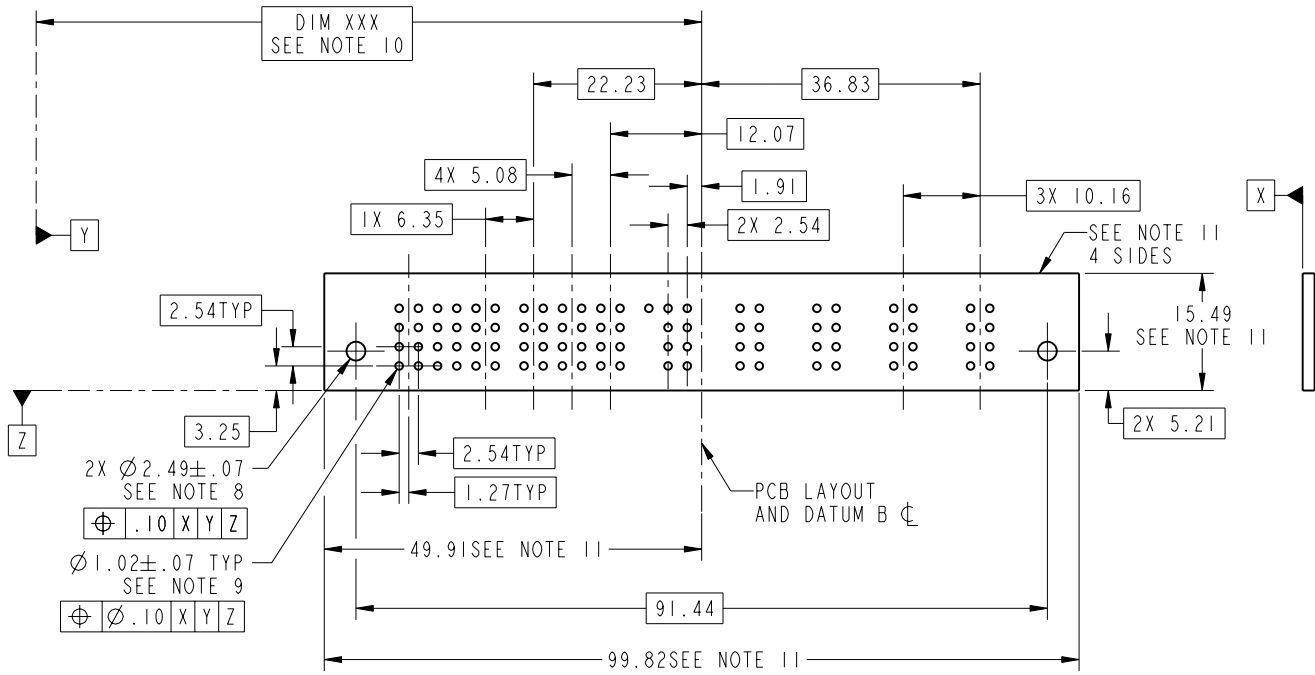
Tous droits strictement reserves. Reproduction ou communication a des tiers interdite sous quelque forme que ce soit sans autorisation ecrite du proprietaire. Propriete de c FCI. Droits de reproduction FCI.



All rights strictly reserved. Reproduction or issue to third parties in any form whatever is not permitted without written authority from the proprietor. Property of FCI. Copyright FCI.

PRODUCT NUMBER

51940-193__
NOTE: 3



CONFIDENTIAL

mat'l code				tolerances unless otherwise specified		CUSTOMER	FCI www.fciconnect.com	
lfr	ecr no.	dr	date	linear	0.X ±0.3	COPY	title	
A					0.XX ±0.10	projection	4ACP + 12S + 6P VERTICAL SOLDER RECEPT	
				angles	0.XXX ±0.050		product family PwrBlade code	
				dr	JM GUO 07/20/06	MM	size	213
				enqr	SALLY LUO 07/20/06	scale	dwg no	3 of 4
				chr	BEER FU 07/20/06	1:1	A	51940-193
				appd	JOSEPH HSIA 07/20/06			
sheet index	revision sheet							

cage code 22526

Pro/E

Tous droits strictement réservés. Reproduction ou communication o des tiers interdite sous quelque forme que ce soit sans autorisation écrite du propriétaire. Propriété de c FCI. Droits de reproduction FCI.



All rights strictly reserved. Reproduction or issue to third parties in any form whatever is not permitted without written authority from the proprietor. Property of FCI. Copyright FCI.

PRODUCT NUMBER

51940-193__
NOTE: 3

NOTES:

1. DIMENSIONS AND TOLERANCES ARE IN ACCORDANCE WITH ASME Y14.5M, 1994 UNLESS OTHERWISE SPECIFIED.

CONNECTOR NOTES:

- 2 HOUSING MATERIAL: UL 94 V-0 GLASS FILLED
HIGH-TEMP THERMOPLASTIC
POWER CONTACT MATERIAL: COPPER ALLOY
SIGNAL PIN MATERIAL: COPPER ALLOY
- 3. PLATING SPEC.
51940-193,51940-193LF PLATING SPEC. WAS SHOWN IN THE PRINT OF 10064183.
- 4 MANUFACTURER'S NAME, P/N, AND DATE CODE TO APPEAR ON THIS SURFACE.
- 5. PRODUCT SPECIFICATION GS-12-149.
APPLICATION SPECIFICATION BUS-20-067.
- 6. PACKAGED IN TRAYS.

PCB NOTES:

- 7. ALL HOLE DIAMETERS ARE FINISHED HOLE SIZE.
- 8 MOUNTING HOLES, WHERE APPLICABLE, ARE UNPLATED.
- 9 $\varnothing .0453 \pm .0010$ [1.151 \pm 0.025] DRILLED HOLES PLATED WITH .0003 [0.008] MIN SnPb OVER .001 [0.03] TO .003 [0.08] Cu PLATING TO ACHIEVE $\varnothing .040 \pm .003$ [1.02 \pm .07] HOLE.
- 10 "DIM XXX" TO BE DETERMINED BY THE CUSTOMER.
- 11 CONNECTOR KEEP-OUT ZONE.

CONFIDENTIAL

mat'l code				tolerances unless otherwise specified		CUSTOMER	FCI www.fciconnect.com	
lfr	ecr no.	dr	date	linear	0.X \pm 0.3	COPY	title	
A					0.XX \pm 0.10	projection	4ACP + 12S + 6P VERTICAL SOLDER RECEPT	
				angles	0.XXX \pm 0.050		product family PwrBlade code	
				dr	0° \pm 2°	MM	size	
				engr	JM GUO 07/20/06	scale	dwg no	
				chr	SALLY LUO 07/20/06	1:1	A 51940-193	
				appd	BEER FU 07/20/06		sheet	
					JOSEPH HSIA 07/20/06		4 of 4	
sheet index	revision sheet							

cage code 22526

Pro/E

PDM: Rev:A

STATUS: Released

Printed: Dec 20, 2010