

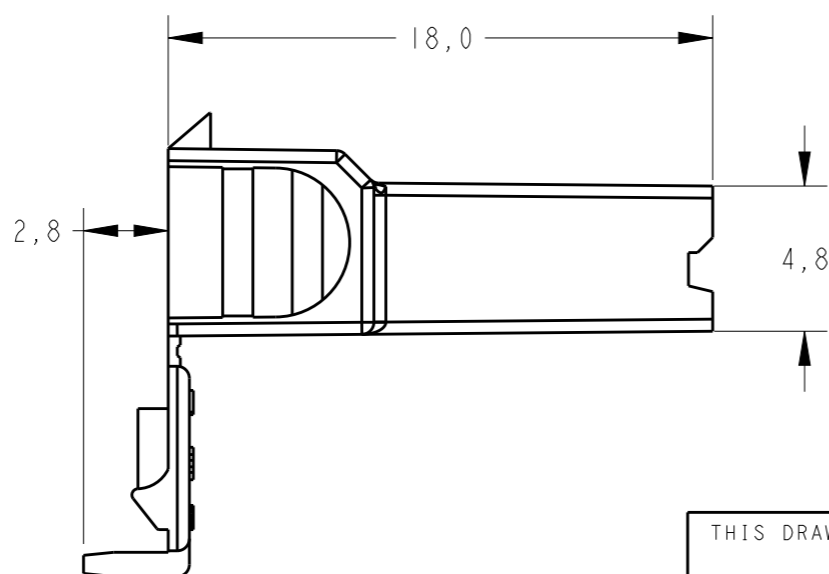
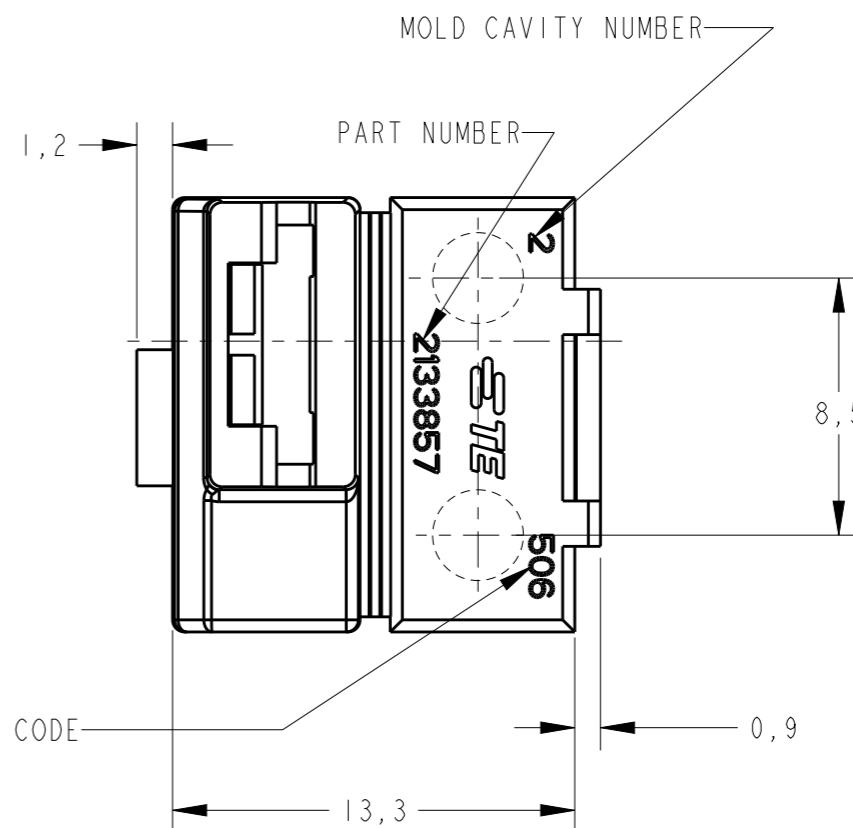
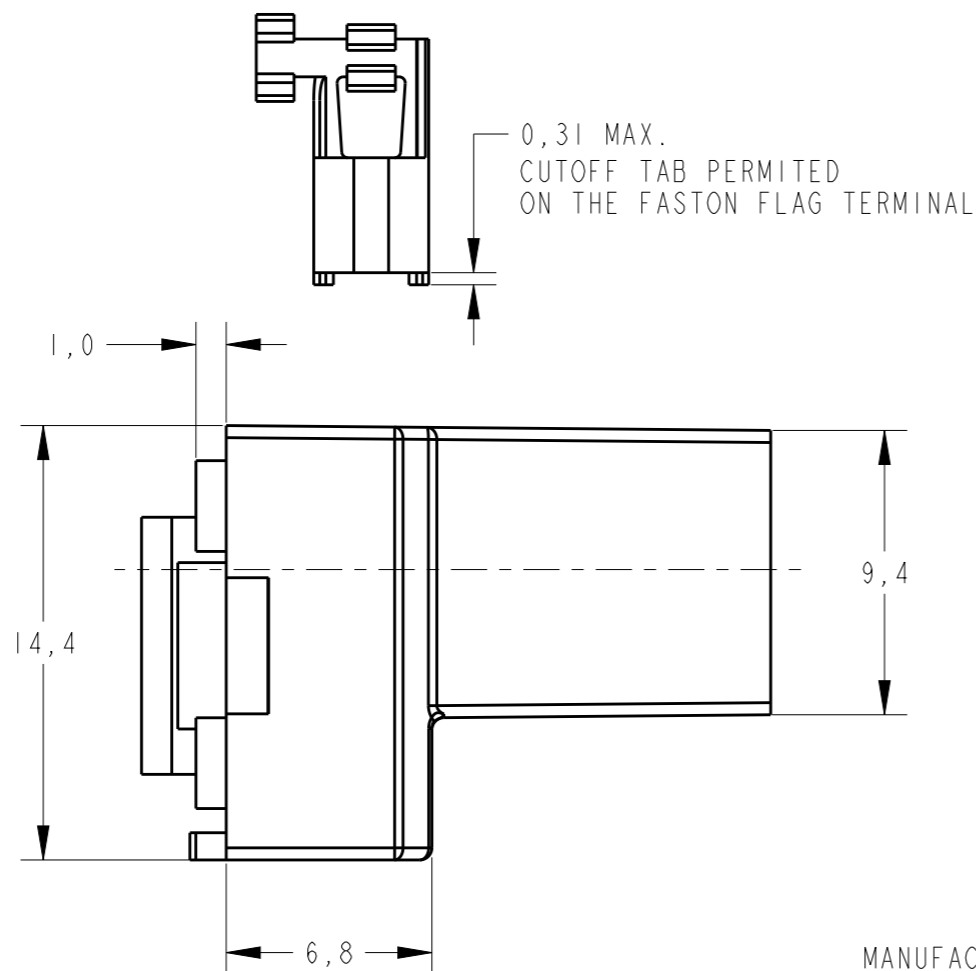
THIS DRAWING IS UNPUBLISHED.

RELEASED FOR PUBLICATION

© COPYRIGHT copyright_dBTe-TE CONNECTIVITY

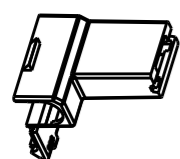
ALL RIGHTS RESERVED.

LOC	DIST	REVISIONS			
P	LTR	DESCRIPTION	DATE	DWN	APVD
-	-	D	REVISED BY ECO 16-011267	29JULY2016	HC WLS
-	-	E	REV. BY ECO 16-018480	02JAN2017	HC WLS



△-MATERIAL ACC. TO IEC 60335-1 850C WITHOUT FLAME

COLOR	MATERIAL	PART NUMBER
NATURAL	△ PA 6.6 V-0	2133857-4
BLACK	PA 6.6 V-2 THERMO STABILIZED	2133857-3
BLACK	PA 6.6 V-2	2133857-2
NATURAL	PA 6.6 V-2	2133857-1



SCALE 1:1

THIS DRAWING IS A CONTROLLED DOCUMENT.		DWN 23MAI2013 H.C. CANTER	STE TE Connectivity	
		CHK 23MAI2013 W.L. STEFANI		
DIMENSIONS: mm	TOLERANCES UNLESS OTHERWISE SPECIFIED:	APVD -	NAME HSG. FLAG .250 SRS. FASTON REC.	
	0 PLC ±0,3 1 PLC ±0,3 2 PLC ±0,2 3 PLC ± 4 PLC ± ANGLES ±	PRODUCT SPEC 108-37101	SIZE A3	CAGE CODE -
MATERIAL -	FINISH -	APPLICATION SPEC -	DRAWING NO C-2133857	RESTRICTED TO -
		WEIGHT -	SCALE 4/1	SHEET 1 OF 1
		Customer Drawing	REV E	