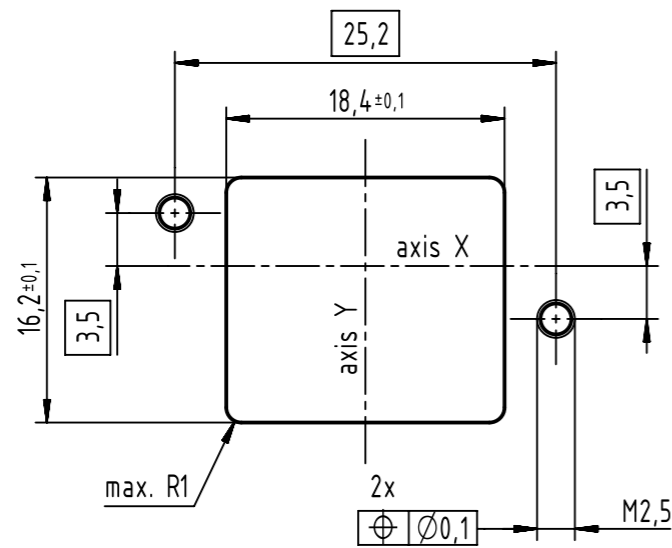
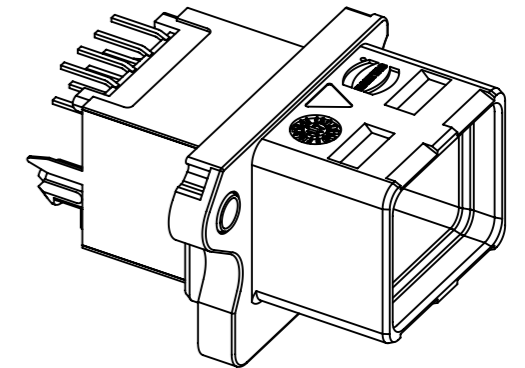
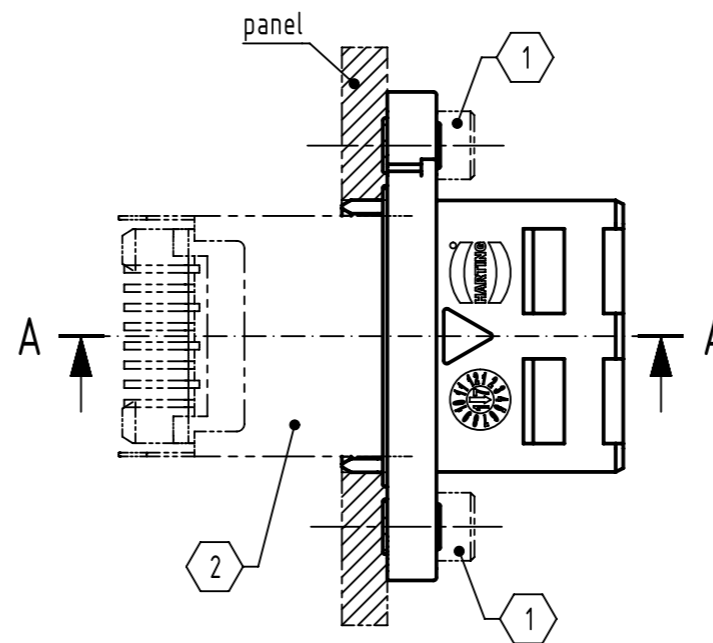


panel cutting



connector pitch on panel:
axis X = 27mm and axis Y = 21mm



2 HARTING RJ Industrial vertical RJ45 jack THT
part no. : TB 09455511103 ; please order separately

1 2x M2,5; screws acc. to ISO 4762;
please order separately; bolting torque 0.3Nm - 0.5Nm

	All rights reserved Department EC PD - DE HARTING Electronics GmbH D-32339 Espelkamp	All Dimensions in mm Original Size DIN A3		Scale 2:1	Free size tol.	Ref. Sub.
		Created by HASELOH	Inspected by LUECKEMEIERM	Standardisation HOFFMANN	Date 2017-04-04	State Final Release
Title HARTING PushPull V4 Comp. Housing, RJ45 Vertical Jack					Doc-Key / ECM-Nr. 100672661/UGD/000/C 500000117442	
Type TB		Number 09455450040		Rev. C	Page 1/1	