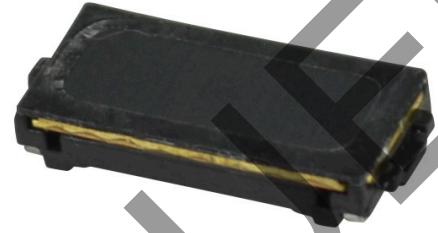


**MODEL:** CMR-120632-2-SP | **DESCRIPTION:** SPEAKER**FEATURES**

- micro dynamic receiver
- 32 ohm impedance
- spring leads

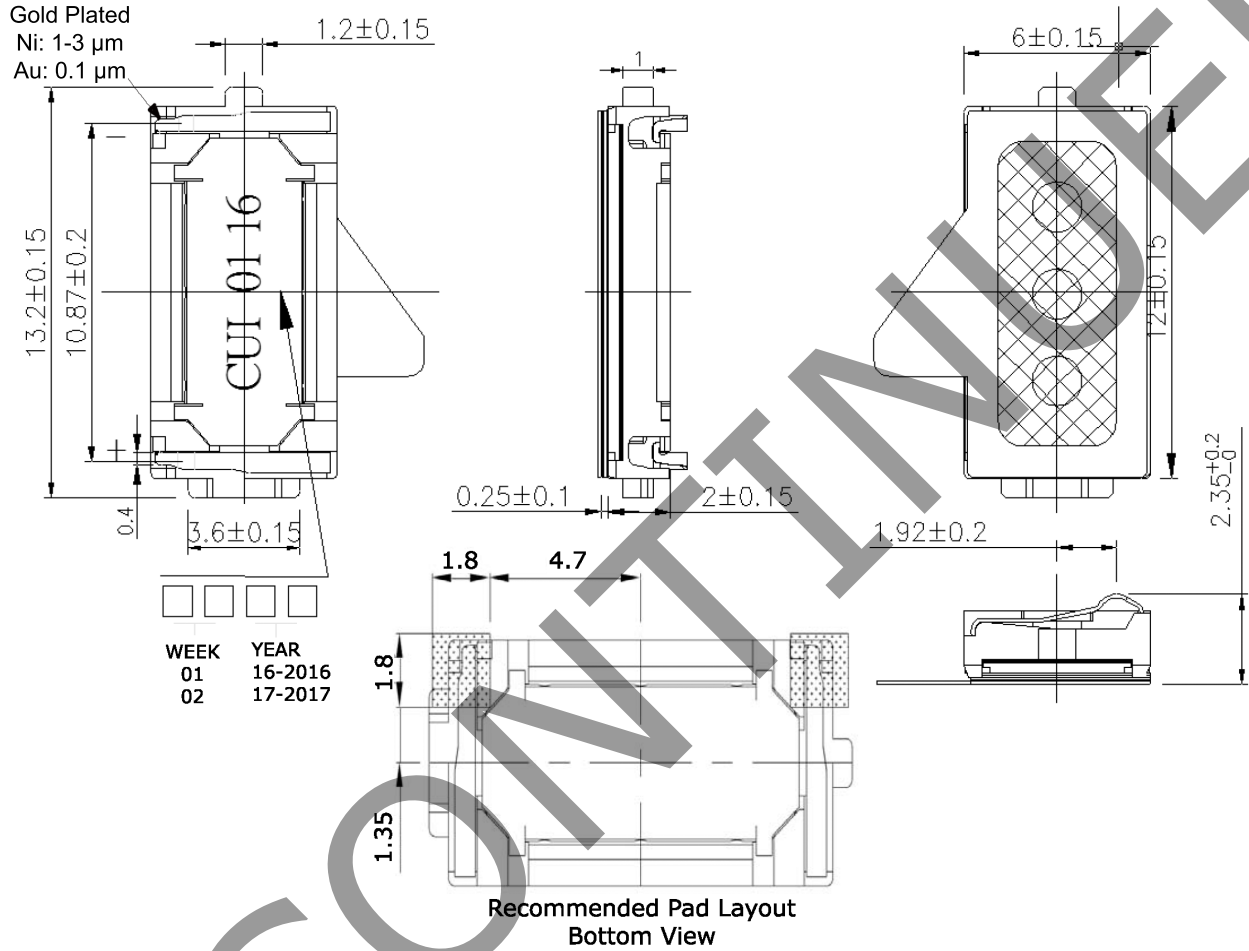
**SPECIFICATIONS**

parameter	conditions/description	min	typ	max	units
input power			20	30	mW
impedance	at 1.0 kHz, 179 mVrms	27.2	32.0	36.8	$\Omega$
frequency response		300		6,500	Hz
sound pressure level	at 1 mW, 0.01 m, at 1.0 kHz with B & K artificial ear 4153	107	110	113	dB
distortion	at 1.0 kHz, 1 mW			5	%
buzz, rattle, etc.	must be normal at sine wave between 300~3,400 Hz		0.8		Vrms
polarity	cone will move forward with positive dc current to "+" terminal				
dimensions	12 x 6 x 2.25				mm
magnet	Nd-Fe-B				
material	PPA				
cone material	mylar				
terminal	spring contact				
weight			0.8		g
operating temperature		-20		60	$^{\circ}\text{C}$
storage temperature		-40		85	$^{\circ}\text{C}$
RoHS	2011/65/EU				

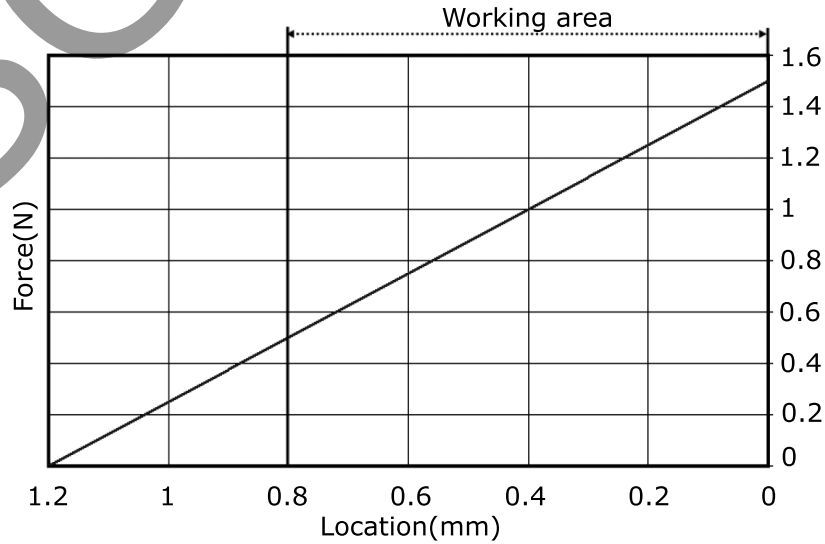
Notes: 1. All specifications measured at 5~35 $^{\circ}\text{C}$ , humidity at 45~85%, under 86~106 kPa pressure, unless otherwise noted.

## MECHANICAL DRAWING

units: mm  
tolerance:  $\pm 0.2$  mm

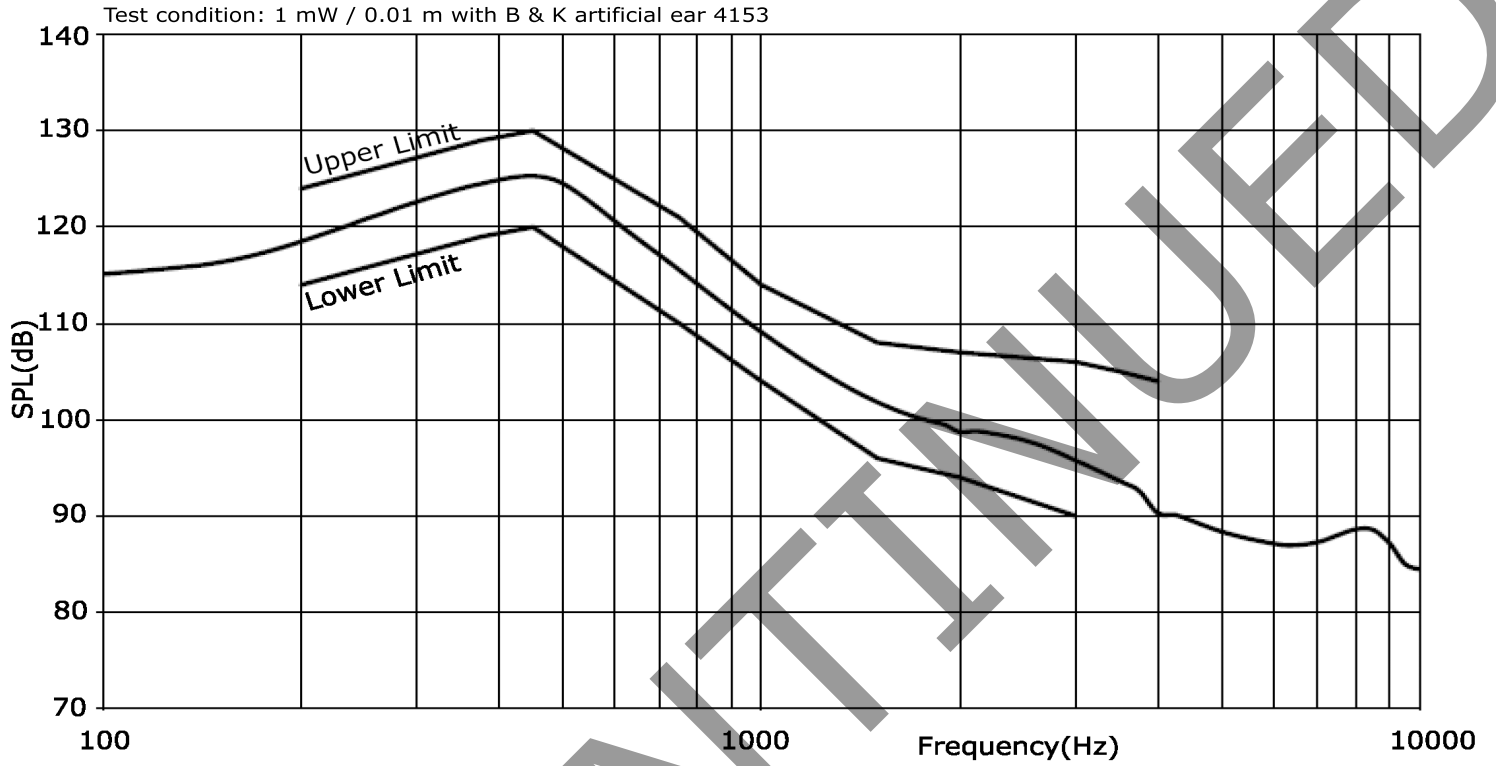


### Force Progression Of One Spring Contact

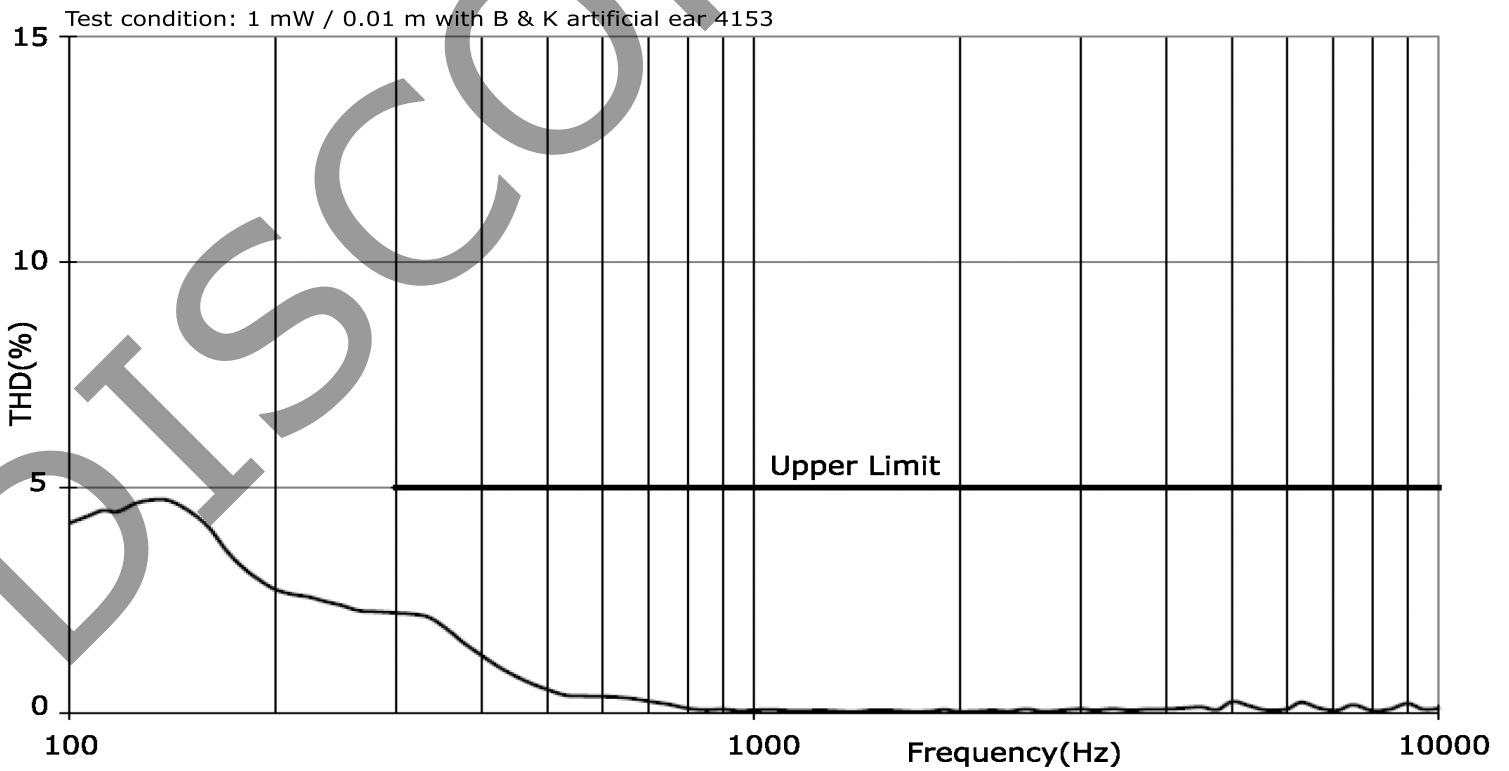


## RESPONSE CURVES

### Frequency Response Curve



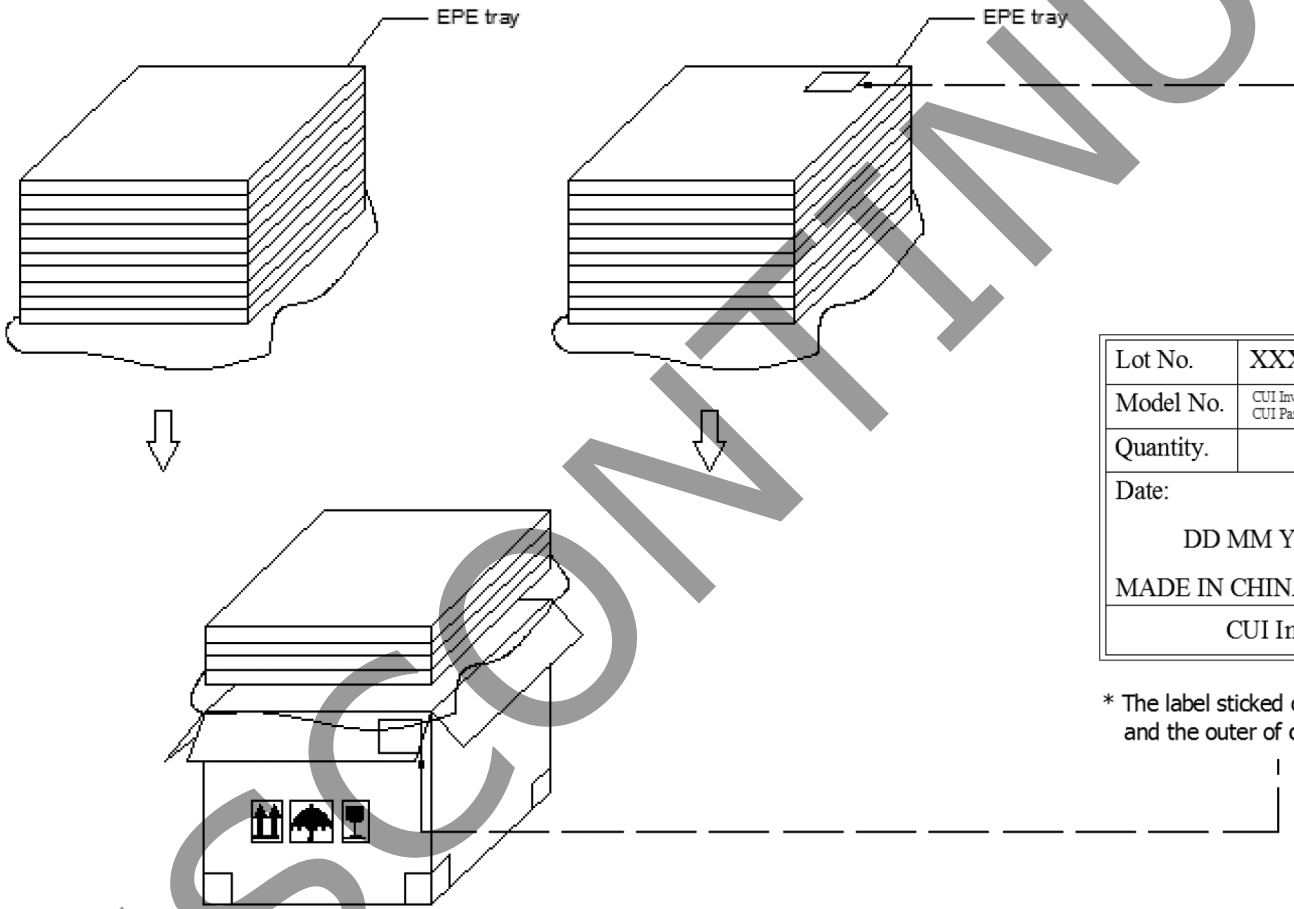
### Total Harmonic Distortion Curve



## PACKAGING

units: mm

Tray Size: 360 x 225 x 9 mm  
 Carton Size: 375 x 240 x 260 mm  
 Tray QTY: 120 pcs per tray  
 Carton QTY: 2,400 pcs per carton



Lot No.	XXXXXXXXXXXX
Model No.	CUI Inv#. CUI Part#.
Quantity.	XXXX Pcs
Date:	DD MM YY
	MADE IN CHINA
	CUI Inc

\* The label sticked on inner boxes and the outer of carton.

## REVISION HISTORY

rev.	description	date
1.0	initial release	10/13/2016

The revision history provided is for informational purposes only and is believed to be accurate.



**Headquarters**  
20050 SW 112th Ave.  
Tualatin, OR 97062  
**800.275.4899**

Fax 503.612.2383  
**cui.com**  
techsupport@cui.com

CUI offers a one (1) year limited warranty. Complete warranty information is listed on our website.

CUI reserves the right to make changes to the product at any time without notice. Information provided by CUI is believed to be accurate and reliable. However, no responsibility is assumed by CUI for its use, nor for any infringements of patents or other rights of third parties which may result from its use.

CUI products are not authorized or warranted for use as critical components in equipment that requires an extremely high level of reliability. A critical component is any component of a life support device or system whose failure to perform can be reasonably expected to cause the failure of the life support device or system, or to affect its safety or effectiveness.