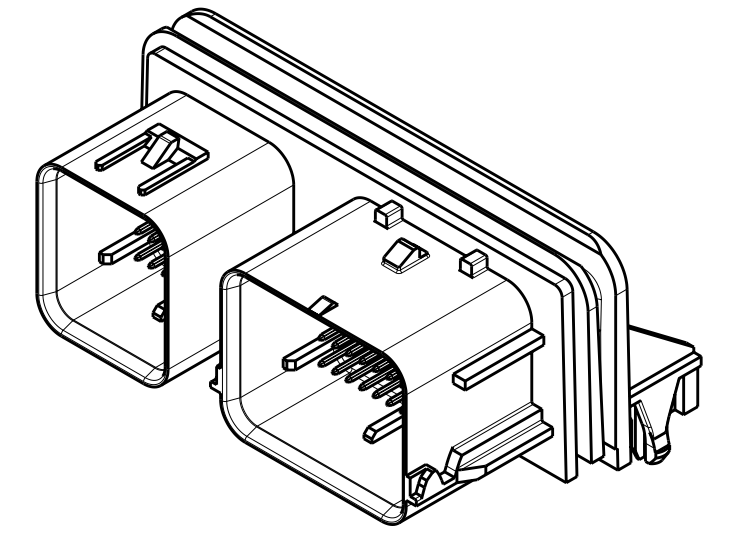
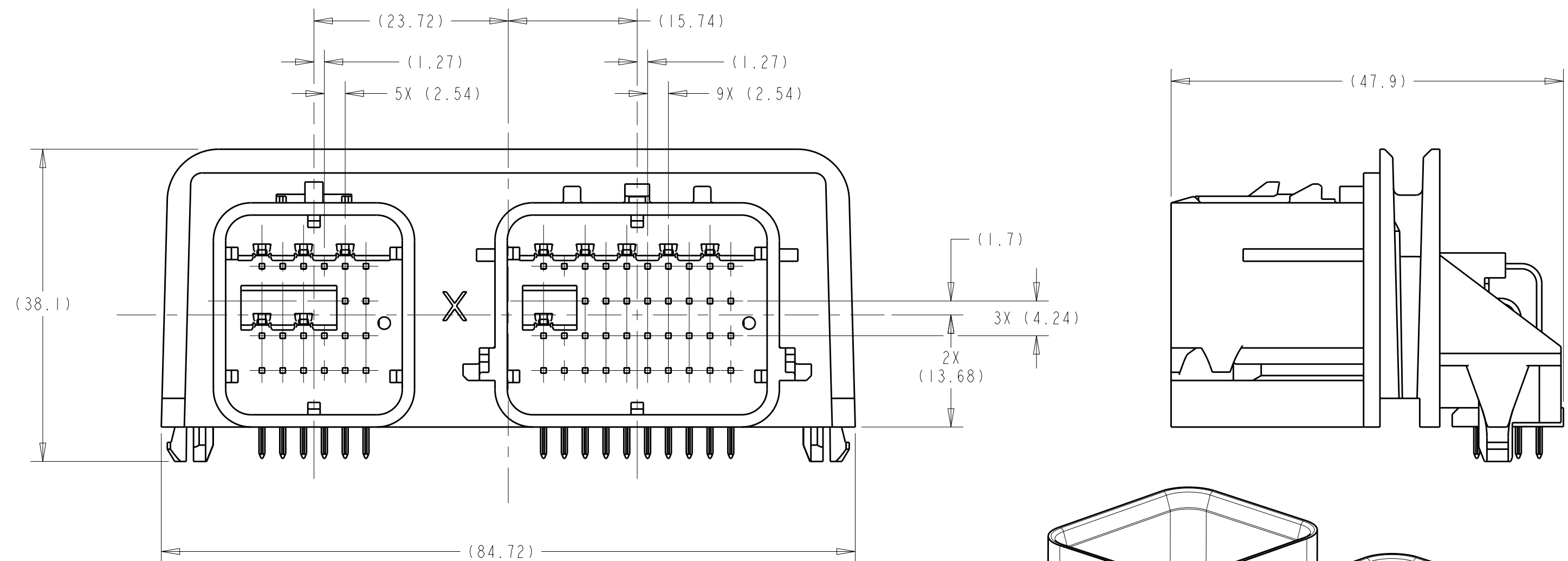
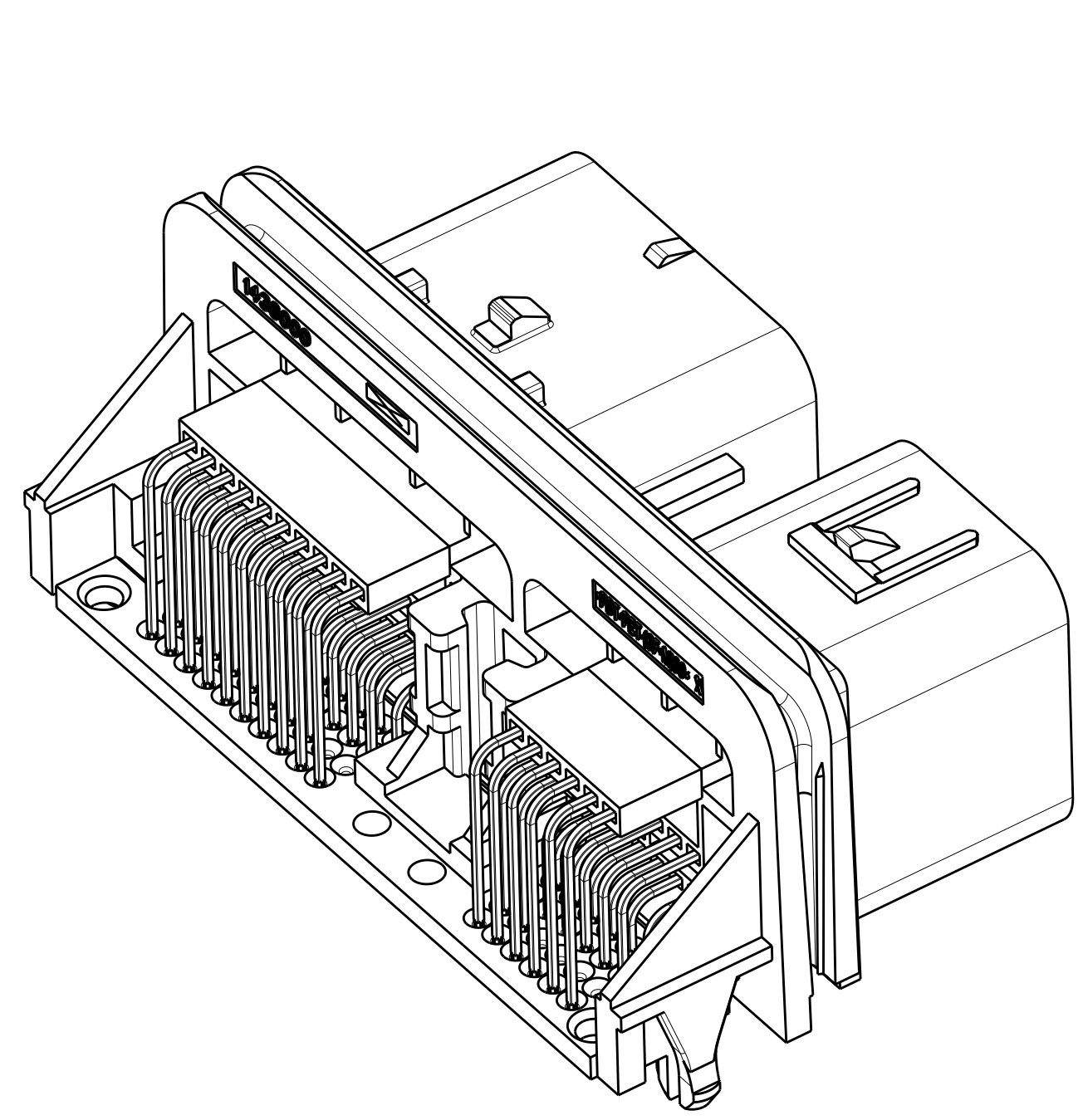
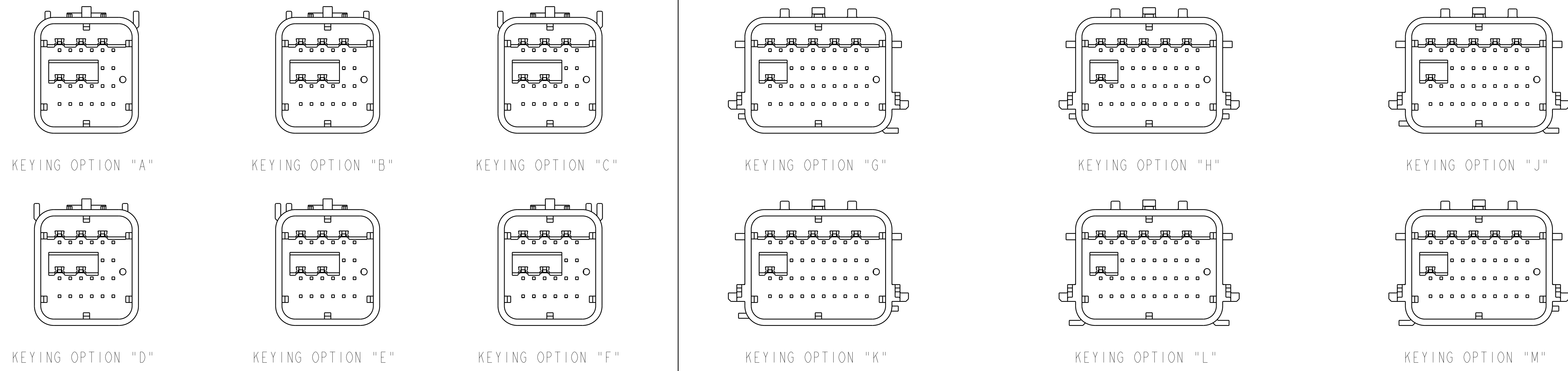


LOC	DIST	REVISIONS			
P	LTW	DESCRIPTION	DATE	DWN	APVD
D		REVISED PER ECO-08-010697	06MAY2008	RGV	WTW
E		REVISED PER ECO-08-017223	06AUG2008	DLD	WTW
F		REVISED PER ECO-10-001845	15FEB2010	DLD	WTW

24 WAY POCKET KEYING OPTIONS

40 WAY POCKET KEYING OPTIONS



SCALE 1:1

1. 0.64 CONTACT:  
 MATERIAL: CuMg0.1  
 CONTACT AREA PLATING: >0.8µm Au OVER  
 2 - 3.5µm Ni  
 SOLDER TAIL PLATING: 2.5 - 4µm SnPb10 OVER  
 2 - 3.5µm Ni PER FORD SPEC.  
 ES-F8DB-14A229-AA/BA/CA/DA

2. PRINT TRACEABILITY CODE (YY = TWO DIGIT YEAR, JJJ = JULIAN DAY, HH = TWO DIGIT MILITARY HOUR) AND CUSTOMER NUMBER ON 40 WAY POCKET OPPOSITE THE LATCH.

3. PART ASSEMBLY WEIGHT WITH 58 CONTACT PINS IS 57.30 GRAMS.

ASSEMBLY PART NUMBER									
1438322-6	1438322-5	1438322-4	1438322-3	2-1419171-1	8-1419157-9				
16	16	16	16	16	16	6	0.64 PLATED CONTACT	SEE NOTE 1	SEE NOTE 1
16	16	16	16	16	16	5	0.64 PLATED CONTACT	SEE NOTE 1	SEE NOTE 1
10	10	10	10	10	10	4	0.64 PLATED CONTACT	SEE NOTE 1	SEE NOTE 1
16	16	16	16	16	16	3	0.64 PLATED CONTACT	SEE NOTE 1	SEE NOTE 1
1	1	1	1	1	1	2	TEMPLATE	>PBT-GF30<	BLACK
1	1	1	1	1	1	1	HEADER WITH KEYING "AH"	>PBT-GF30<	GRAY
1	1	1	1	1	1	1	HEADER WITH KEYING "AG"	>PBT-GF30<	GRAY
1	1	1	1	1	1	1	HEADER WITH KEYING "AH"	>PBT-GF30<	BLACK
1	1	1	1	1	1	1	HEADER WITH KEYING "BH"	>PBT-GF30<	BLACK
1	1	1	1	1	1	1	HEADER WITH KEYING "DG"	>PBT-GF30<	BLACK
1	1	1	1	1	1	1	HEADER WITH KEYING "AG"	>PBT-GF30<	BLACK
QUANTITY	ITEM	DESCRIPTION	MATERIAL	COLOR/FINISH					

NO KEYING OPTION SHOWN

DIMENSIONS:		TOLERANCES UNLESS OTHERWISE SPECIFIED:		DWN: M. FORLSKA T9APR2002		Tyco Electronics	
mm	0 PLC ±0.3	1 PLC ±0.10	2 PLC ±0.10	3 PLC ±0.10	4 PLC ±0.10	5 PLC ±0.10	Tyco Electronics Harrisburg, PA 17105-3608
MATERIAL: SEE CHART ABOVE		FINISH: *		CHK: M. FORLSKA T9APR2002		NAME: 64 WAY, ARM HEADER ASSEMBLY, CUSTOMER SPEC.	
				APVD: A. VALASEK T9APR2002		SIZE: CAGE CODE: DRAWING NO: RESTRICTED TO	
				WEIGHT: SEE NOTE 3		A   00779   C=8-1419157-9	
				CUSTOMER DRAWING		SCALE: 2:1 SHEET 1 OF 1 REV F	