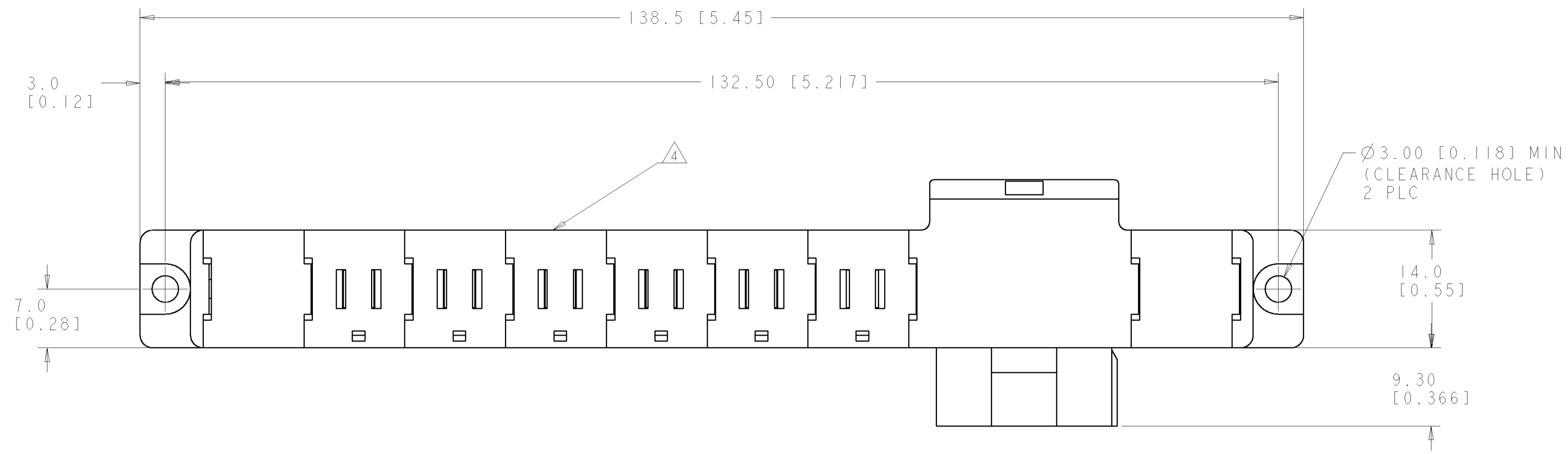


LOC	DIST	REV	DESCRIPTION	DATE	DWN	APVD
GP	00	A	RELEASED	28AUG2006	RG	SF



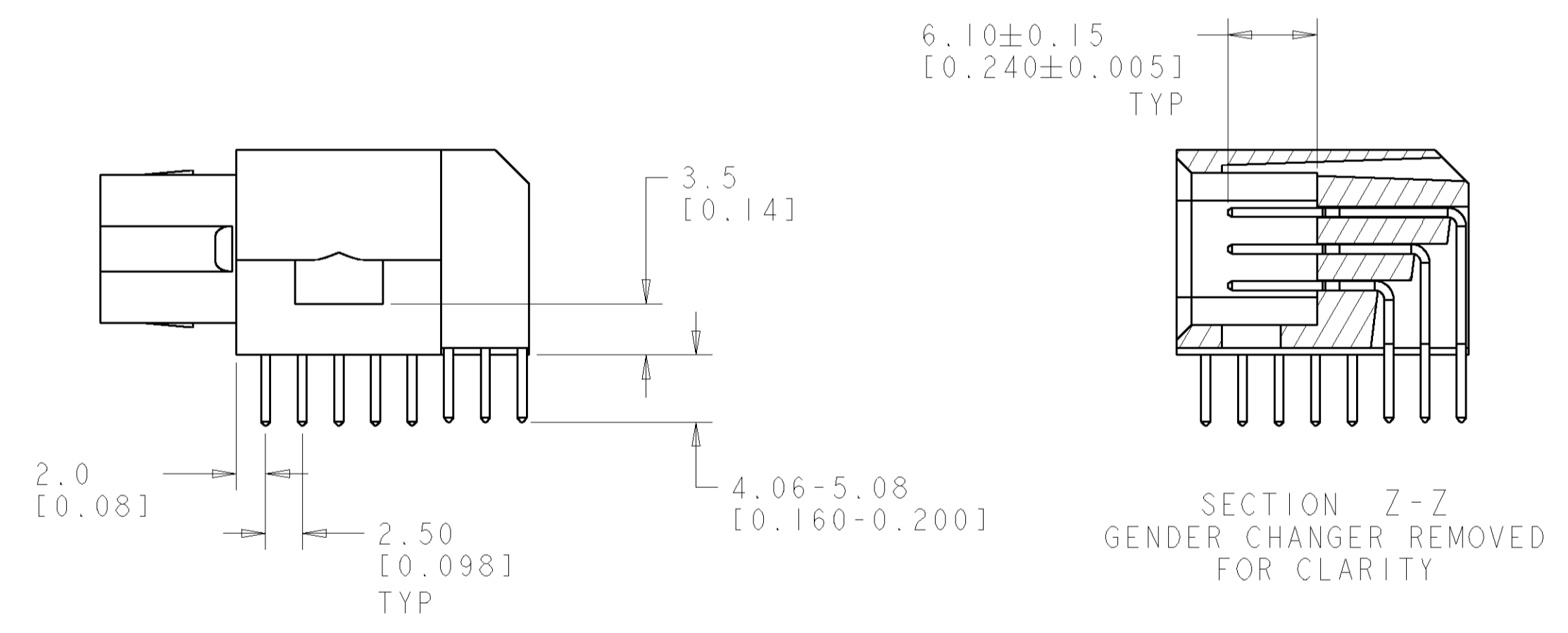
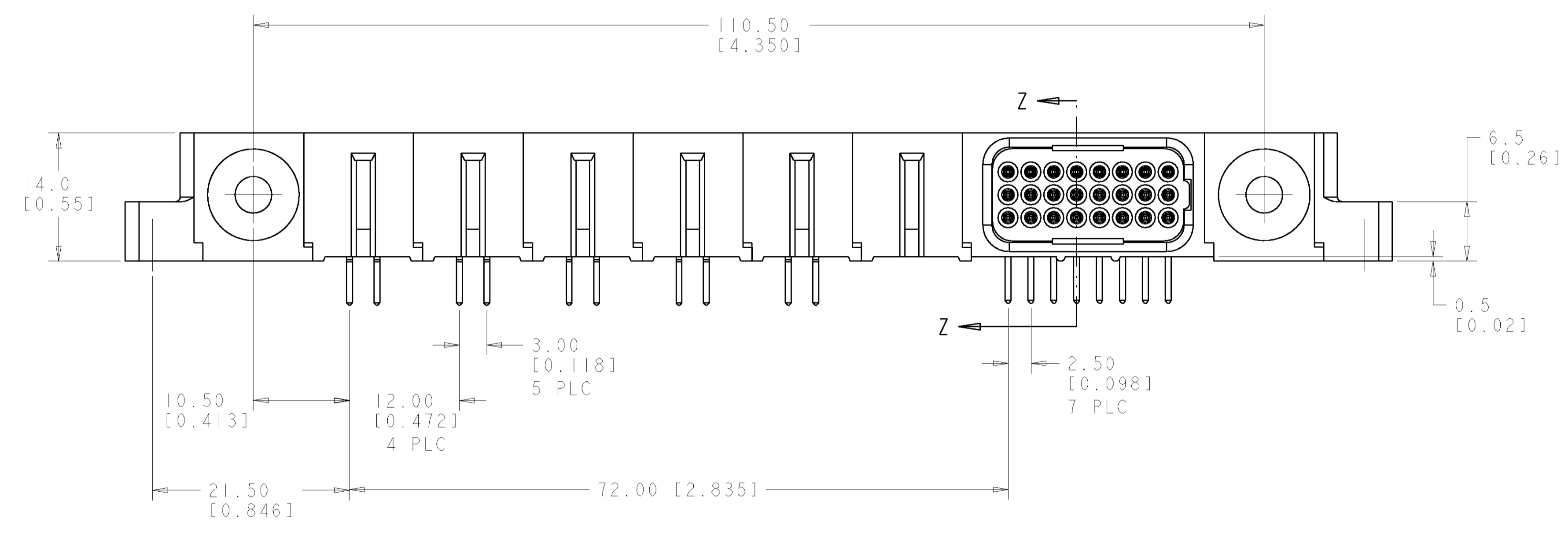
- PART NUMBER CHANGES AND OR DESIGN CHANGES AFFECTING ITEM INTERCHANGEABILITY REQUIRE PRIOR TYCO APPROVAL AND AUTHORIZATION BY REVISION TO THIS DRAWING.
- MATERIAL:  
 INSULATORS - THERMOPLASTIC, GLASS REINFORCED, COLOR: BLACK, UL94V-0 FLAMMABILITY RATED.  
 POWER CONTACTS - PHOSPHOR BRONZE ALLOY,  
 SOLDER SIGNAL PINS - BRASS ALLOY  
 CROWN BAND - BERYLLIUM COPPER
- FINISH:  
 CONTACTS - GOLD PLATE .000030" INCH MIN. THK. OVER NICKEL .000050" INCH MIN. THK.  
 SOLDER TAILS TIN .000100" INCH MIN. THK. OVER .000050" MIN. THK. NICKEL.

ITEMS PROVIDED TO THIS SPECIFICATION TO BE PERMANENTLY IDENTIFIED PER THE FOLLOWING IDENTIFIER LABEL

YEAR      WEEK     

TYCO PART NO. XXXXXXXX-X DATE CODE (e.g. 0106) XXXX

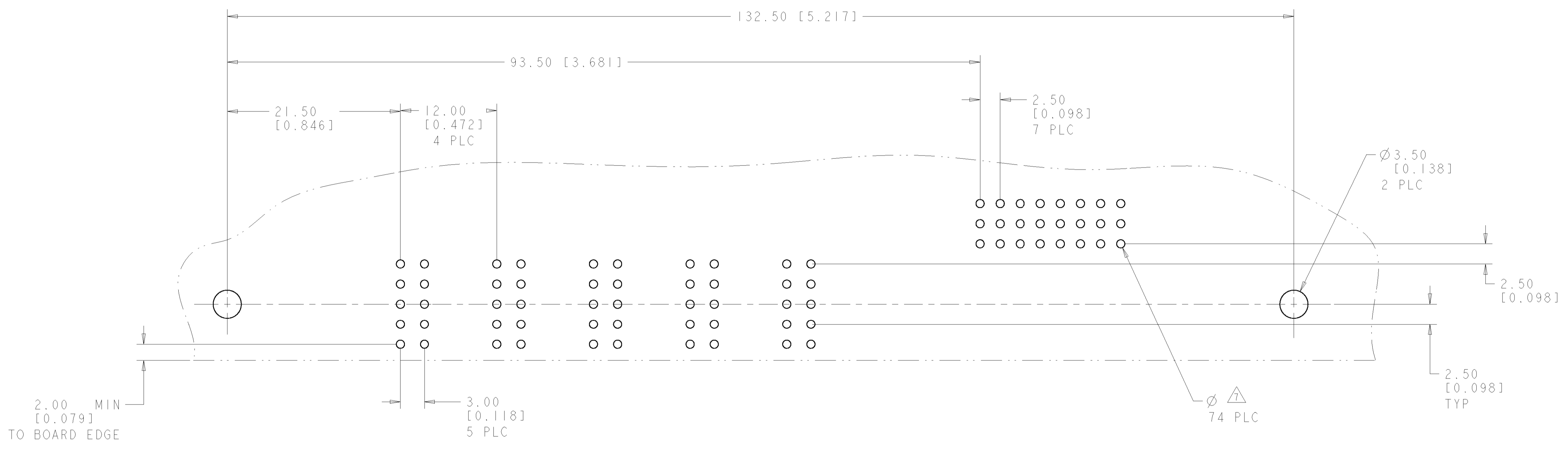
MOUNTING FLANGES ACCEPT M3 OR NO.4 SCREWS, (USER SUPPLIED)



ELCON FLATPAQ

AS SHOWN		1926221-1	
DESCRIPTION		PART NUMBER	
DIMENSIONS: mm [INCHES] TOLERANCES UNLESS OTHERWISE SPECIFIED: 0 PLC ±. 1 PLC ±.5 (.020) 2 PLC ±.25 (.010) 3 PLC ±. 4 PLC ±. ANGLES ±.5 FINISH		DWN: R. GRZYBOWSKI 17AUG06 ENR: S. FLICKINGER 17AUG06 APVD: S. FLICKINGER 17AUG06 PRODUCT SPEC APPLICATION SPEC WEIGHT CUSTOMER DRAWING	
MATERIAL: - FINISH: -		NAME: <b>tyco</b> Tyco Electronics Harrisburg, PA 17105-3608 RIGHT ANGLE SOCKET SOLDER TAILS FLATPAQ SIZE: A   00779   C=1926221 SCALE: 3:1 SHEET 1 OF 3 REV A	

LOC	DIST	REVISIONS			
P	LTR	DESCRIPTION	DATE	DRN	APVD
-	-	SEE SHEET 1	-	-	-



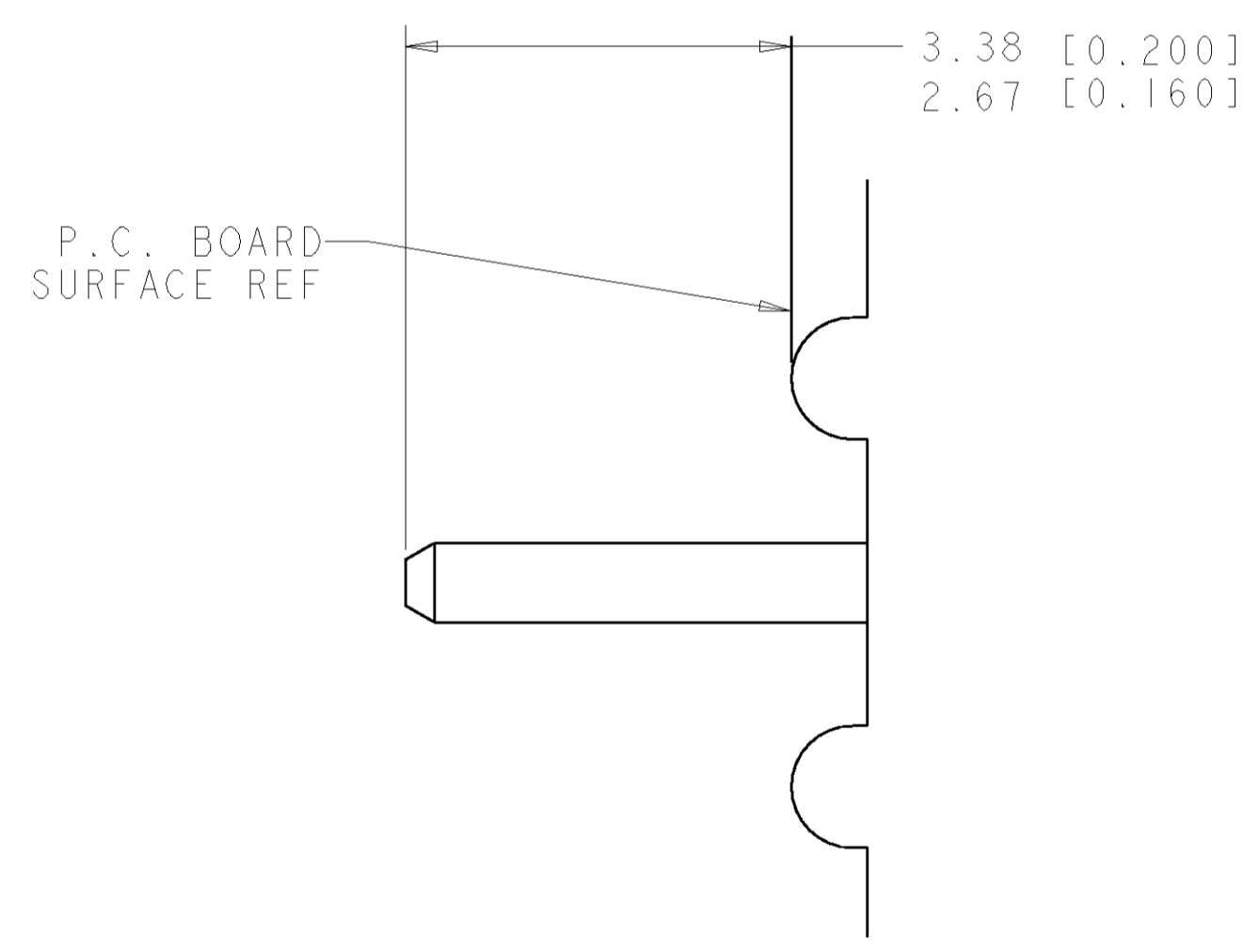
PRINTED CIRCUIT LAYOUT  
 COMPONENT SIDE

CONNECTOR	CATALOG MODULE #	QTY	SIZE NO.	CONTACT QTY	MATING PIN	MAX. CURRENT (PER CONTACT)	CONTACT SPACING	VOLTAGE RATING
SOCKET	FP120	5	8	5	1.25 X 7.00 [.049 X .276]	35 amps	7.50 [.2953]	250
	FP303	1	22	24	.64 SQ. [.025]	3 amps	2.50 [.0984]	125
	FP0506	2	RIGHT ANGLE GUIDE SOCKET					
	FP0500	1	LEFT MOUNTING FLANGE					
	FP0501	1	RIGHT MOUNTING FLANGE					

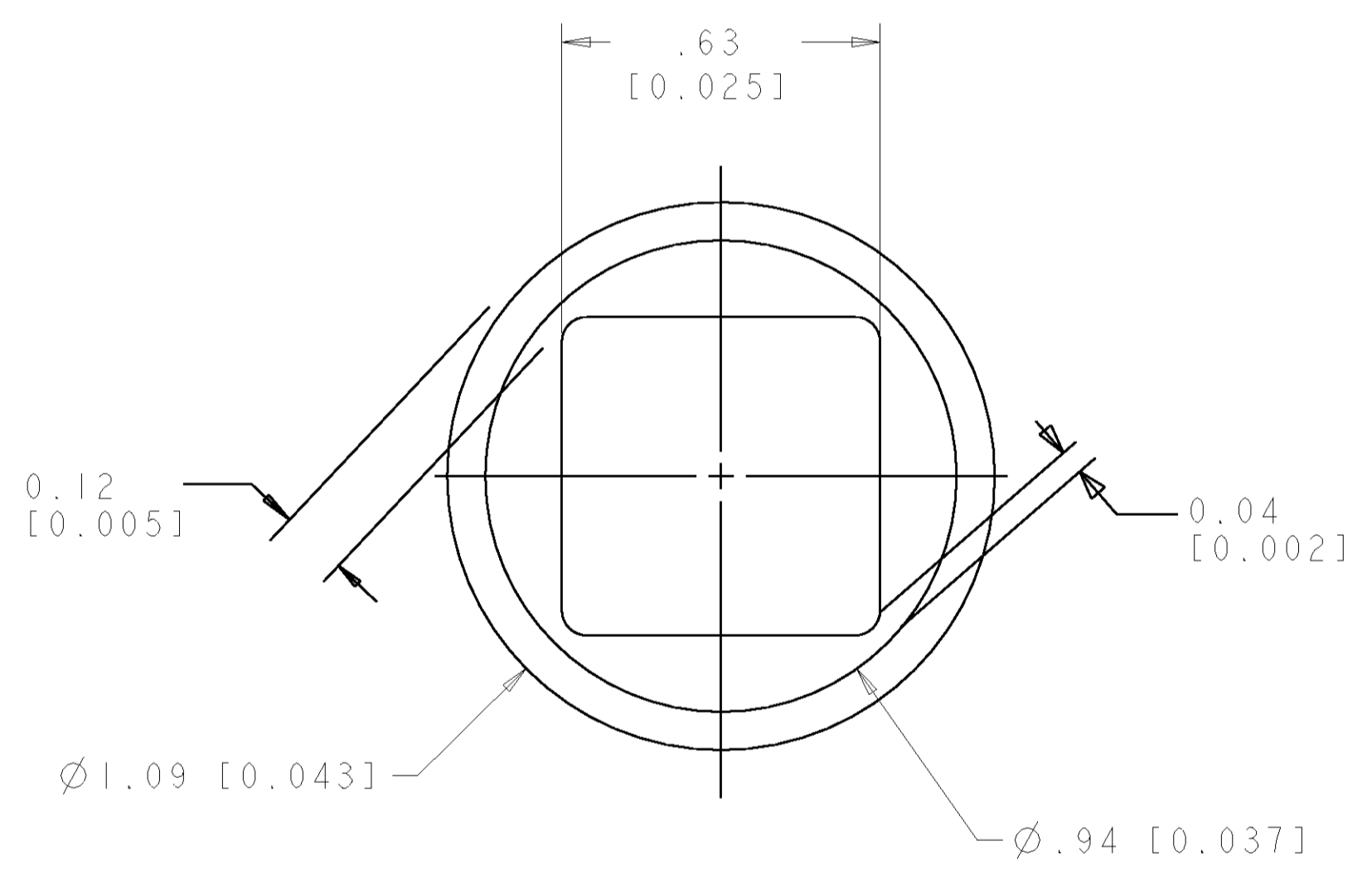
ELCON FLATPAQ

DIMENSIONS: mm [INCHES]		TOLERANCES UNLESS OTHERWISE SPECIFIED: 0 PLC ± 1 PLC ±.5 [.020] 2 PLC ±.25 [.010] 3 PLC ± 4 PLC ± ANGLES ±.5		DRN: B. GRZYBOWSKI   TAUG06 ENR: S. FLICKINGER   TAUG06 APVD: S. FLICKINGER   TAUG06		<b>tyco</b> Tyco Electronics Harrisburg, PA 17105-3608	
MATERIAL: - FINISH: -		WEIGHT: - CUSTOMER DRAWING		NAME: RIGHT ANGLE SOCKET CONNECTOR SOLDER TAILS FLATPAQ		SIZE: A   00779   C=1926221 SCALE: 3:1   SHEET: 2 OF 3   REV: A	

LOC	DIST	REVISIONS			
P	LTR	DESCRIPTION	DATE	DNW	APVD
-	-	SEE SHEET 1	-	-	-



6. SOLDER TAIL DETAIL  
SCALE 10 : 1



**⚠ SOLDER TERMINATION AREA**  
 SCALE 40:1  
 RECOMMENDED PRINTED CIRCUIT HOLE  
 SOLDER HOLE  
 FINISHED HOLE: Ø1.02 [.040] ±.008 [.0003]  
 DRILLED HOLE: Ø1.15 [.0453] ±.013 [.0005]  
 COPPER PLATE: .025 [.0010] MIN  
 TIN PLATE: .008 [.0003] MIN. (PER SURFACE)

**ELCON FLATPAQ**

<small>THE DIMENSIONS IN DIMENSIONS SPECIFIED FOR THIS PRODUCT ARE CONSIDERED TO BE THE DIMENSIONS OF THE PARTS AS SUPPLIED BY THE MANUFACTURER. THE DIMENSIONS IN DIMENSIONS SPECIFIED FOR THIS PRODUCT ARE CONSIDERED TO BE THE DIMENSIONS OF THE PARTS AS SUPPLIED BY THE MANUFACTURER.</small>		DWN: B. GRZYBOWSKI   TAUG06 CHK: S. FLICKINGER   TAUG06 APVD: S. FLICKINGER   TAUG06	<b>tyco</b> Tyco Electronics Harrisburg, PA 17105-3608
DIMENSIONS: mm [INCHES]	TOLERANCES UNLESS OTHERWISE SPECIFIED: 0 PLC ±. 1 PLC ±.5 [.020] 2 PLC ±.25 [.010] 3 PLC ±. 4 PLC ±. ANGLES ±.5	NAME: S. FLICKINGER PRODUCT SPEC: APPLICATION SPEC: WEIGHT:	RIGHT ANGLE SOCKET CONNECTOR SOLDER TAILS FLATPAQ SIZE: A   00779   C=1926221 RESTRICTED TO:
MATERIAL: -	FINISH: -	WEIGHT: -	SCALE: 3:1 SHEET 3 OF 3 REV A
CUSTOMER DRAWING		SCALE: 3:1 SHEET 3 OF 3 REV A	