

PRODUCT NUMBER  
10087120-YXXLF

LATCHING  
0= WITHOUT LATCH  
1= STANDARD LATCH  
2= LOW PROFILE LATCH

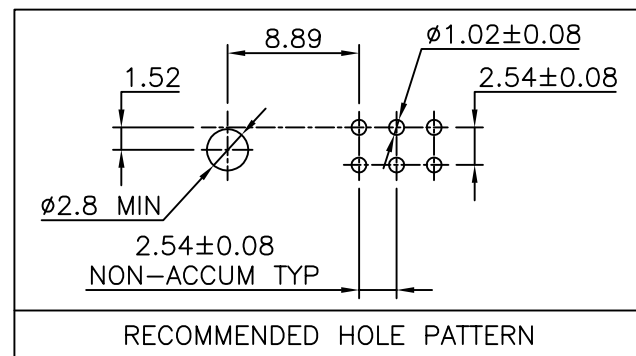
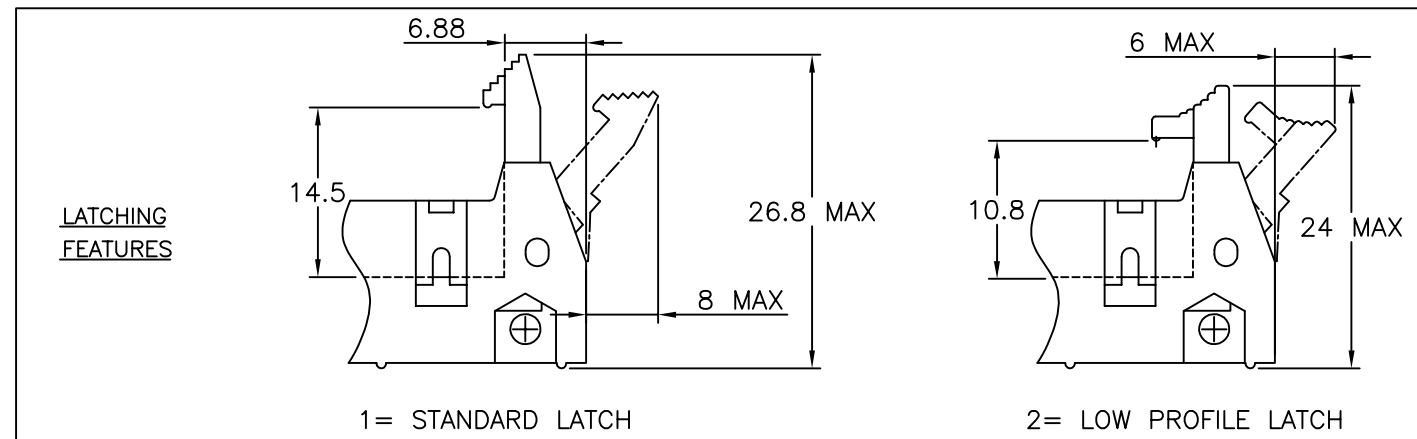
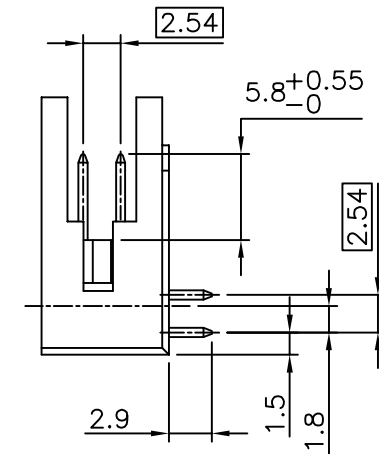
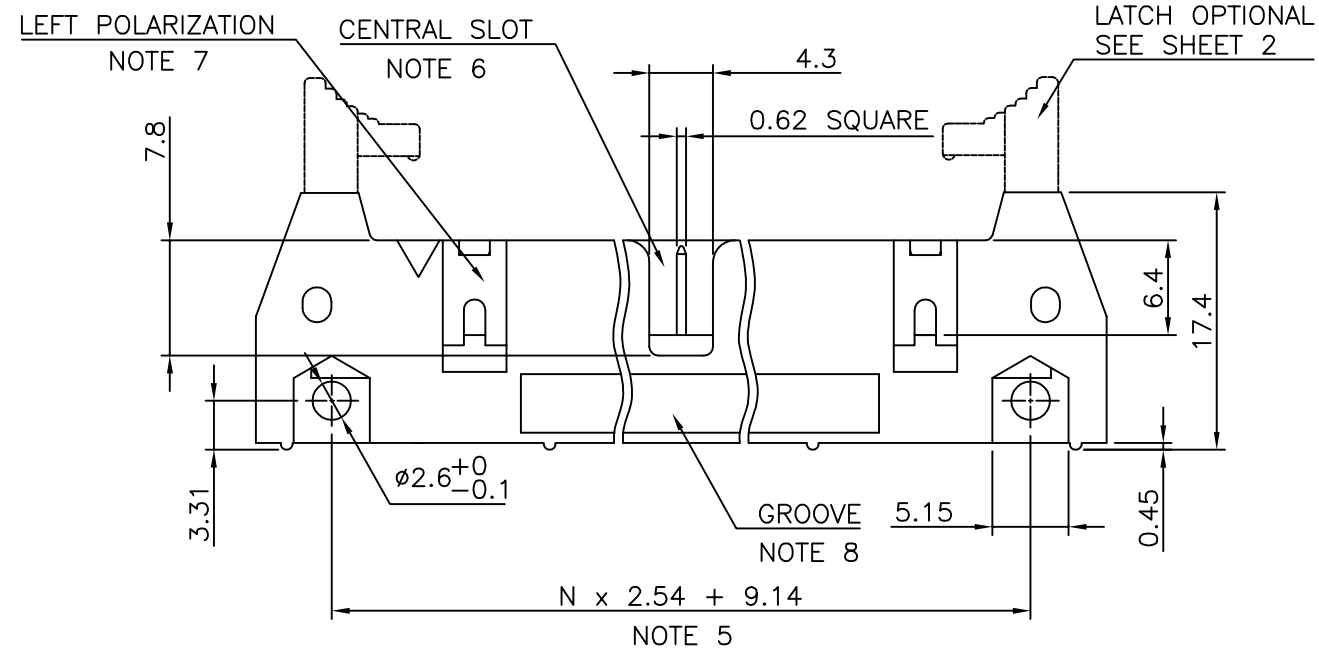
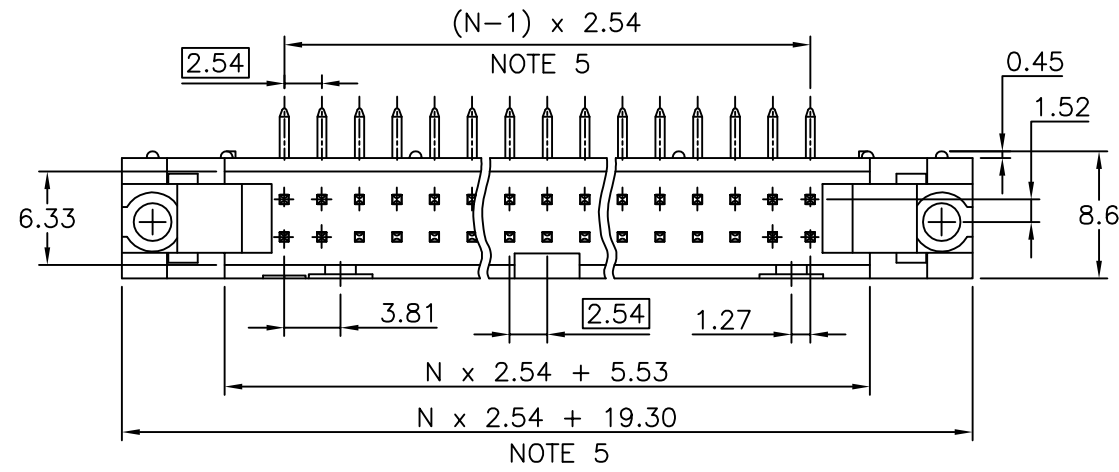
INDICATES THE PRODUCT IS RoHS  
COMPATIBLE, SEE NOTE 9

PIN STYLE	SIZE
06	2x3
08	2x4
10	2x5
14	2x7
16	2x8
18	2x9
20	2x10
26	2x13
30	2x15
34	2x17
40	2x20
44	2x22
50	2x25
60	2x30
64	2x32

PLATING :  
0.05µm Au FULL PLATED  
OVER 1.27µm Ni MIN

NOTES:

- 1 - HOUSING MAT'L : GLASS FILLED THERMOPLASTIC. UL94V-0 COLOR: GREY
- 2 - PIN MATERIAL : BRASS
- 3 - PRODUCT PACKAGED IN TUBES
- 4 - 40N MIN LATCH RETENTION FORCE AT FIRST EXTRACTION
- 5 - TO DETERMINE DIMENSIONS :  
N = NUMBER OF POSITIONS PER ROW  
EXAMPLE : 8 POS N x 2.54 = 20.32mm
- 6 - NO CENTRAL SLOT ON POSITIONS 6 & 8
- 7 - NO LEFT POLARIZATION ON POSITIONS 06, 08, 10, 14.
- 8 - NO GROOVE ON POSITIONS 06, 08, 10, 14, 30, 34
- 9 - RoHS COMPATIBLE PRODUCT SPECIFICATIONS
  - a - PLATING:  
- "LF" MEANS THE PRODUCT IS LEAD-FREE, 2µm MINIMUM MATTE TIN OVER 1.27µm MINIMUM NICKEL UNDERPLATE.
  - b - MANUFACTURING PROCESS COMPATIBILITY  
- THE HOUSING WILL WITHSTAND EXPOSURE TO 260°C ±5°C SOLDER BATH TEMPERATURE FOR 5 SECONDS IN A WAVE SOLDER APPLICATION WITH A 1.6mm MIN THICK CIRCUIT BOARD.
  - c - LABELING:  
- MEETS PACKAGING SPECS AS PER GS-14-920
  - d - LEGAL STATEMENT: SEE GS-22-008.



mat'l. code		surface	tolerance	projection	product family
ISO 1302		ISO 406	ISO 1101	QUICKIE	
ltr	ecn no	dr	date	title	
A	F08-0149	LMU	08.03.27	QKIE HEADER	
tolerances unless otherwise specified				RA 0.05µm Au	
angles				scale 2:1	
linear				mm	
dr				J.COMPAGNON 08.03.07	
engr				L.MULIN 08.03.07	
chr					
appd				L.MULIN 08.03.07	
sheet index	revision sheet			dwg no	sheet 1 of 1 size
				10087120	A3
				type	CUSTOMER Drawing