

36 PIN
SHOWN

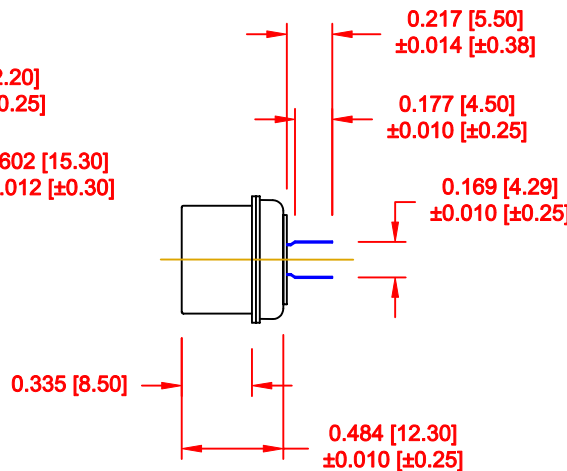
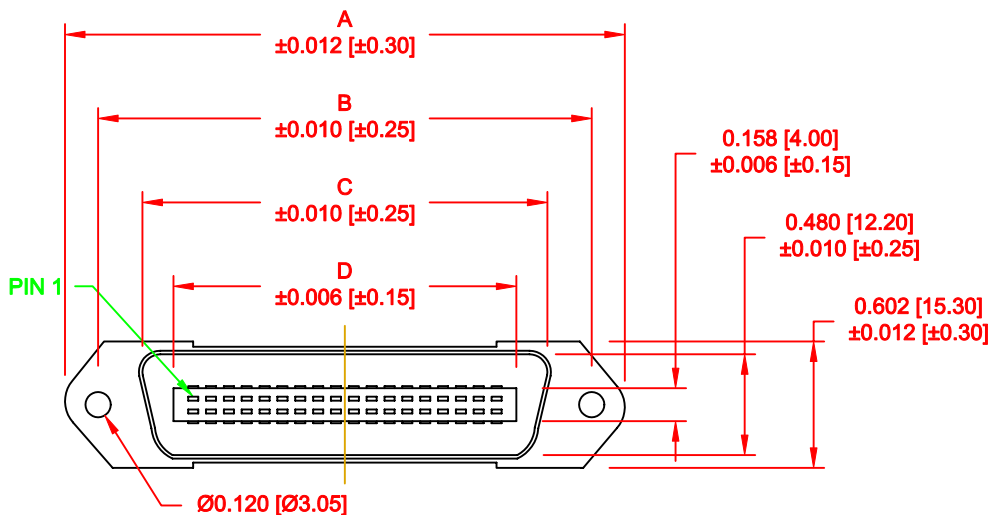
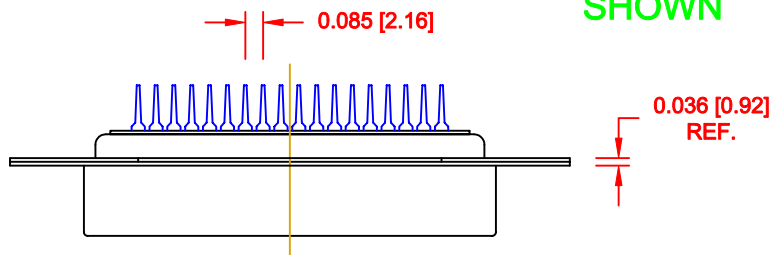
	014	024	036	050
A	1.728	2.154	2.667	3.272
	43.90	54.70	67.75	83.10
B	1.417	1.843	2.352	2.947
	36.00	46.80	59.74	74.85
C	1.004	1.429	1.929	2.538
	25.50	36.30	49.00	64.47
D	0.689	1.102	1.634	2.207
	17.50	28.00	41.50	56.05

MATERIAL:

INSULATION: PBT - UL 94V-0 RATED
 CONTACTS: PHOSPHOR BRONZE
 SHELL: STEEL, NICKEL PLATED

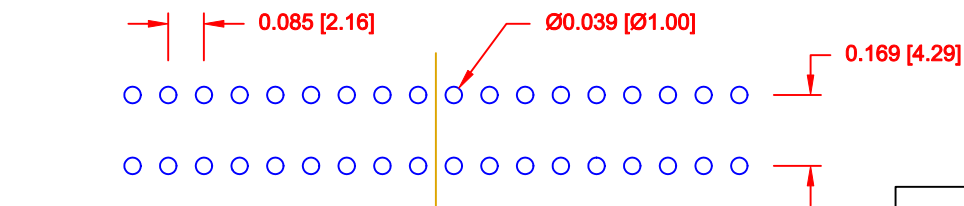
ELECTRICAL:

CURRENT RATING: 1 AMPS
 VOLTAGE RATING: 1,000V AC r.m.s.
 INSULATION RESISTANCE: 1,000MegOhms Min. @ 500VDC
 CONTACT RESISTANCE: 30MilliOhms Max.
 OPERATING TEMPERATURE: -55°C TO +125°C



111-YYY-1 1 3 L 00 1

SERIES _____
 POSITIONS _____
 014 _____
 024 _____
 036 _____
 050 _____
 GENDER _____
 1 = MALE _____
 TERMINATION _____
 1 = DIP SOLDER _____
 RoHS COMPLIANT _____
 L = LOW TEMP. PROCESS _____
 SHELL PLATING _____
 3 = NICKEL _____
 HARDWARE _____
 00 = NO HARDWARE _____
 PLATING _____
 1 = GOLD FLASH _____



RECOMMENDED PCB LAYOUT

SCALE = 2 : 1

RoHS COMPLIANT

DO NOT SCALE FROM DRAWING

	THESE DRAWINGS AND SPECIFICATIONS ARE THE PROPERTY OF NorComp AND SHALL NOT BE REPRODUCED, COPIED OR USED AS THE BASIS FOR THE MANUFACTURE OF SALE OF APPARATUS WITHOUT WRITTEN PERMISSION.		DRAWN: WAYNE ROBBINS	DATE: 09-21-98
			CHECKED:	DATE:
NorComp		SCALE: 1 : 1	SHEET 1 OF 1	REV 6
		DWG NO. 111-YYY-113L001		