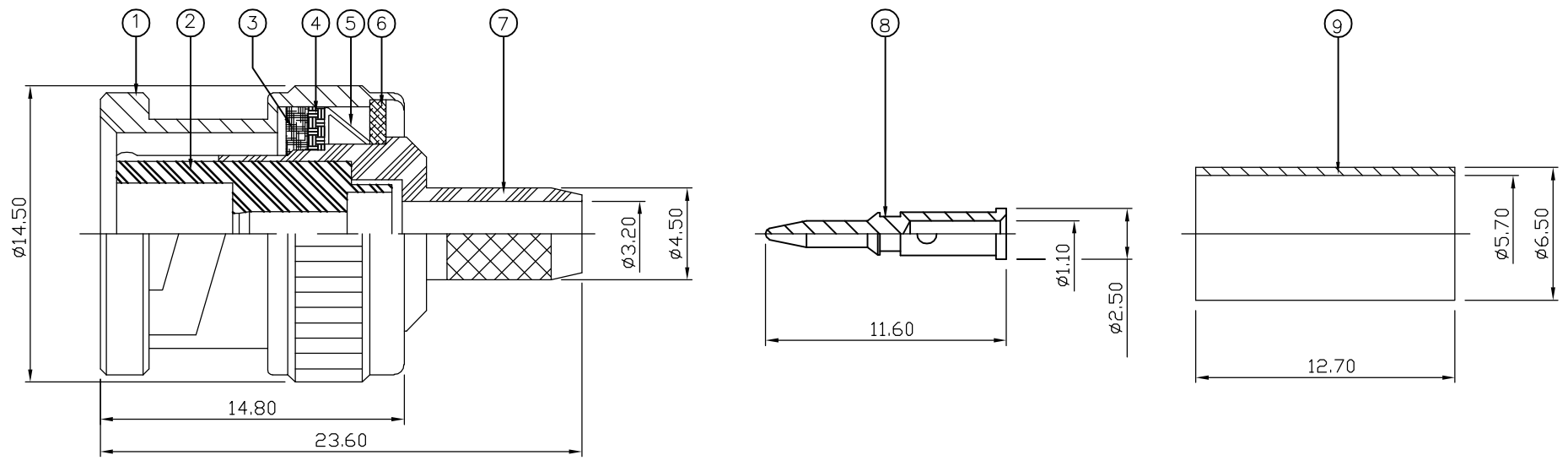


THIS DRAWING IS UNPUBLISHED. RELEASED FOR PUBLICATION JUNE ,2006.
 © COPYRIGHT 2006 BY TYCO ELECTRONICS CORPORATION. ALL RIGHTS RESERVED.

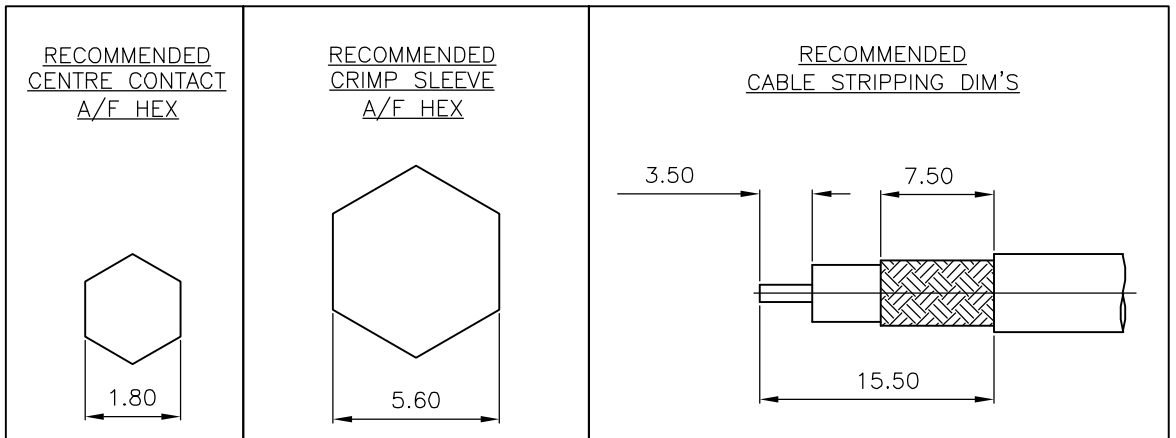
LOC	DIST	REVISIONS					
E	B	P	LTR	DESCRIPTION	DATE	DWN	APVD
		B		ECR-06-015596	27JUN06	JMS	FWK

NOTES:

- 1 SINGLE PACK IN ACCORDANCE WITH AMP SPEC 107-3275
- 2 100 TRAY PACK IN ACCORDANCE WITH AMP SPEC 107-3275
- 3 Au PLATING
- 4 Ni PLATING
- 5 THIS ITEM MUST BE WHITE
- 6 HAND TOOL : 9-1478240-0
- 7 DIE SET : 9-1478242-0
- 8 ELECTRICAL CHARACTERISTICS
 FREQUENCY RANGE: DC - 4 GHz
 NOMINAL IMPEDANCE: 50 Ohm
 INSULATION RESISTANCE: 5000 MOhm
 WORKING VOLTAGE: 500 Volts RMS at Sea Level
 DIELECTRIC WITHSTAND VOLTAGE: 1500 Volts RMS Max
 CONTACT RESISTANCE:
 CENTRE CONTACT: 1.50 mOhm Max
 OUTER CONTACT: 0.20 mOhm Max
 VSWR @ 4GHz: 1.30:1 Max
 INSERTION LOSS dB @ x 3 GHz: 0.20 Max
- 9 MECHANICAL CHARACTERISTICS
 COUPLING NUT RETENTION FORCE: 445N Min
 CABLE RETENTION FORCE: 170N Min
 DURABILITY: 500 Cycles Min
- 10 ENVIRONMENTAL CHARACTERISTICS
 OPERATING TEMPERATURE: -65 to +165 DegC
- 11 FOR TECHNICAL DATA REFER TO YOUR LOCAL TYCO ELECTRONICS SALES OFFICE
- 12 ALL DIMENSIONS ARE NOMINAL FOR REFERENCE ONLY UNLESS OTHERWISE STATED



QTY	QTY PER ASSY	QTY PER ASSY	MATERIAL	DESCRIPTION	ITEM
1	1	1	BRASS	FERRULE	9
1	1	1	BRASS	CONTACT	8
1	1	1	BRASS	BODY	7
1	1	1	BRASS	WASHER	6
1	1	1	SPRING STEEL	SPRING	5
1	1	1	BRASS	RETAINING RING	4
1	1	1	SILICON RUBBER	GASKET	3
1	1	1	PTFE	INSULATION	2
1	1	1	BRASS	SHELL	1
6--0	1--0				



THIS DRAWING IS A CONTROLLED DOCUMENT.

DIMENSIONS: mm	TOLERANCES UNLESS OTHERWISE SPECIFIED:
	0 PLC ± -
	1 PLC ± -
	2 PLC ± -
	3 PLC ± -
	4 PLC ± -
	ANGLES ± -
MATERIAL SEE TABLE	FINISH -

THIS DRAWING IS A CONTROLLED DOCUMENT.

DWN J.SANDWELL 27JUN06
 CHK S.PARLOW 27JUN06
 APVD F.WHEELER-KING 27JUN06

PRODUCT SPEC -
 APPLICATION SPEC 411-3247
 WEIGHT -

tyco Electronics Tyco Electronics Corporation
 Bideford EX39 4HE

NAME BNC STRAIGHT PLUG CRIMP 50 OHM
 RG55B/U, 142B/U, 223/U, 400/U, URM301, KX23

SIZE A3 CAGE CODE 00779 DRAWING NO C-1478101 RESTRICTED TO -

CUSTOMER DRAWING SCALE NTS SHEET 1 OF 1 REV B