

# Housing - HC-STA-D07-SHOWS-1STP11-EL-AL - 1419233

Please be informed that the data shown in this PDF Document is generated from our Online Catalog. Please find the complete data in the user's documentation. Our General Terms of Use for Downloads are valid (<http://phoenixcontact.com/download>)



Box mounting bases D7, for single locking latch, material: Die-cast aluminum, salt water resistant, cable outlets: 1, lateral, height: 27.9 mm, cable gland: none, support sleeve: yes, 1x Pg11, Standard, open floor



## Key Commercial Data

Packing unit	1 STK
GTIN	
GTIN	4055626159850

## Technical data

### Dimensions

Height	27.9 mm
Width	38 mm
Length	24.2 mm
Length of the assembly cutout	21 mm
Width of the assembly cutout	21 mm

### Ambient conditions

Degree of protection of housing (IP)	IP66
	IP67
Ambient temperature (operation)	-40 °C ... 125 °C

### General

Note	for contact inserts HC-A03, A04, D07, D08, Q02, Q03, Q04, Q05, Q07, Q12
Size	D7
Housing type	Box mounting bases
Color	gray aluminum
Locking type	for single locking latch
No. of cable outlets	1

# Housing - HC-STA-D07-SHOWS-1STP11-EL-AL - 1419233

## Technical data

### General

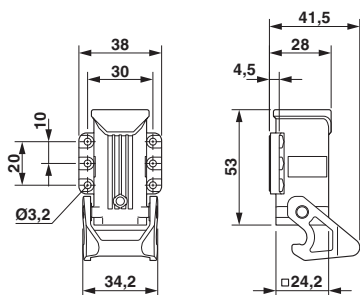
Cable outlet	lateral
Screw connection	none
Type of the screw connection	1x Pg11
Housing material	Die-cast aluminum, salt water resistant
Housing surface material	uncoated

### Environmental Product Compliance

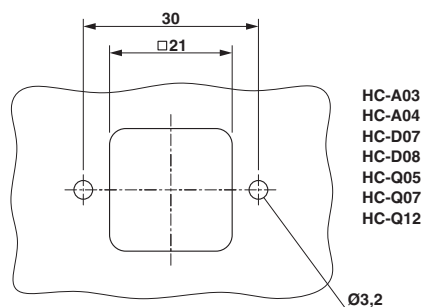
China RoHS	Environmentally Friendly Use Period = 50
	For details about hazardous substances go to tab "Downloads", Category "Manufacturer's declaration"

## Drawings

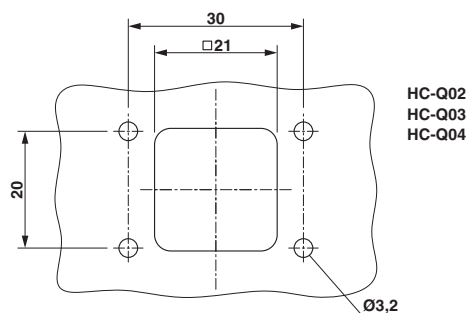
Dimensional drawing



Dimensional drawing



Dimensional drawing



Mounting cutout

## Approvals

Approvals

Approvals

EAC / GL


# Housing - HC-STA-D07-SHOWS-1STP11-EL-AL - 1419233

## Approvals

Ex Approvals

---

### Approval details

EAC		RU C- DE.AI30.B.01102
-----	---	--------------------------

GL		<a href="http://exchange.dnv.com/tari/">http://exchange.dnv.com/tari/</a>	6196614 HH
----	---	---	------------

---

Phoenix Contact 2018 © - all rights reserved  
<http://www.phoenixcontact.com>

PHOENIX CONTACT GmbH & Co. KG  
Flachsmarktstr. 8  
32825 Blomberg  
Germany  
Tel. +49 5235 300  
Fax +49 5235 3 41200  
<http://www.phoenixcontact.com>