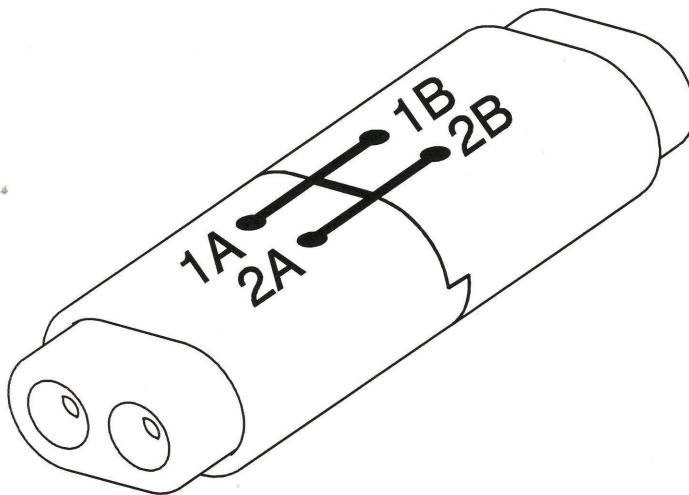
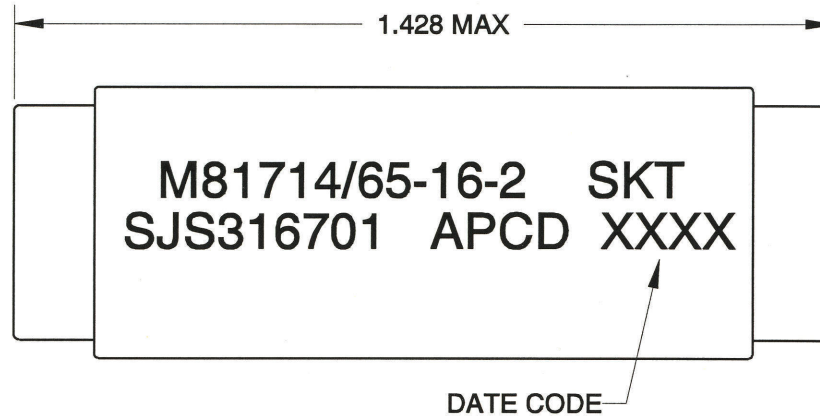
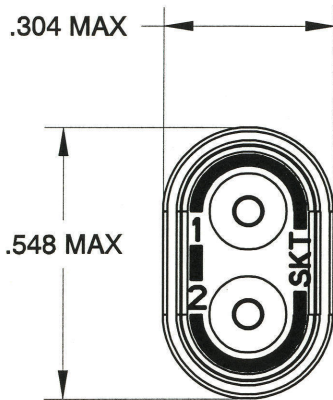


REV	ECN	APP'D
-	4679	JT 12/20/01
A	5793	RS 1/27/06
B	5971	



SCALE 3:1

NOTES:

- MATERIALS:
 INSULATOR BODY: POLYETHERIMIDE PER ASTM-5205
 WIRE-SEALING GROMMET: SILICONE RUBBER PER A-A-59588
 INTERNAL CONTACT: COPPER ALLOY, GOLD FINISH
- PART ACCEPTS M39029/22-193 SOCKET CONTACTS - PER TABLE
- OPERATING RANGE:
 TEMPERATURE: -65° C TO 200° C
 INSULATION RESISTANCE: 5000 MEGOHMS MIN
 DIELECTRIC WITHSTANDING VOLTAGE: 1500 VRMS, SEA LEVEL
 200 VRMS, 100,000 FT ALTITUDE
 CURRENT RATING: 13 AMPS
 VIBRATION AND SHOCK: PER MIL-T-81714, PARA. 3.5.5 AND 3.5.8.

PART NO.	DESCRIPTION	P/N MARKING
SJS316601	CONTACTS NOT SUPPLIED	SJS316701
SJS316701	QTY 5, M39029/22-193 INCLUDED QTY 1, MS27488-16-1 SEALING PLUG INCLUDED	

DIMENSIONS ANSI Y14.5M UNITS: INCHES Pro/E FILE	TOLERANCES .XX ±0.01 .XXX ±0.005 ANGLES ±10°	PROJECTION 	Amphenol Pcd SPECIFICATION DRAWING		TITLE SJS WIRE SPLICE, DOUBLE BUSSED, SIZE 16	
			ENGR S. HORNER 12/17/01		SIZE A	DWG NO. SJS316701_C
THIS DOCUMENT CONTAINS PROPRIETARY INFORMATION WHICH IS THE CONFIDENTIAL PROPERTY OF AMPHENOL PCD INC., PEABODY, MA			CHKD 		CODE: 58982 SCALE: 3:1 SHEET 1 OF 1	