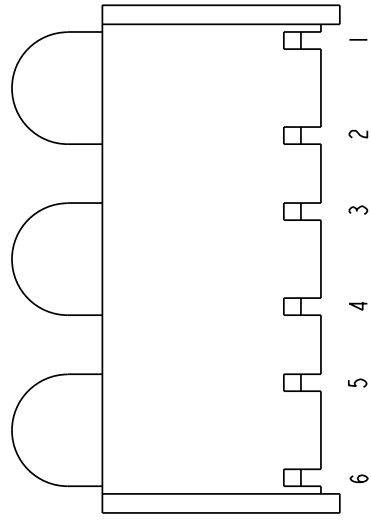
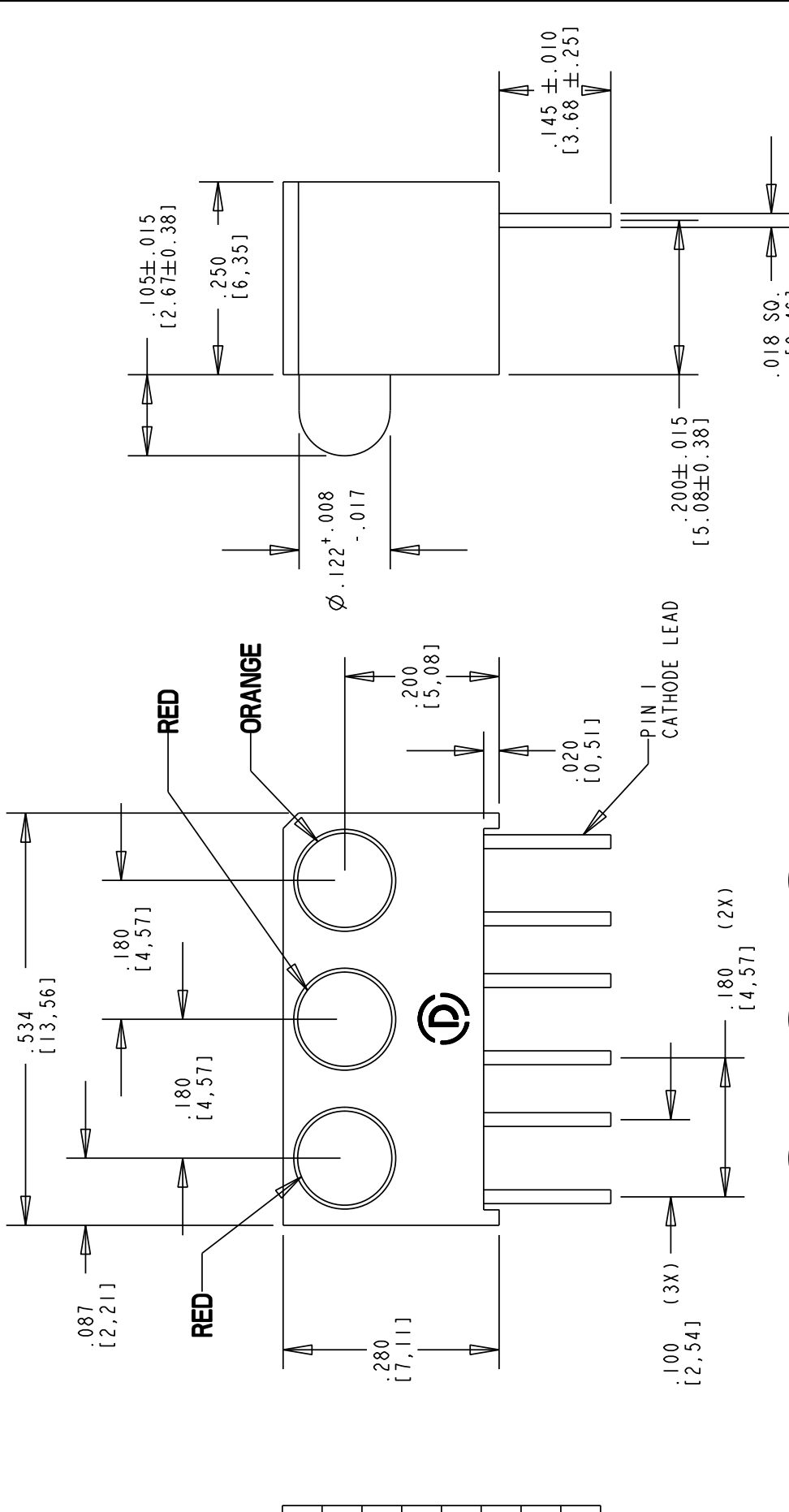
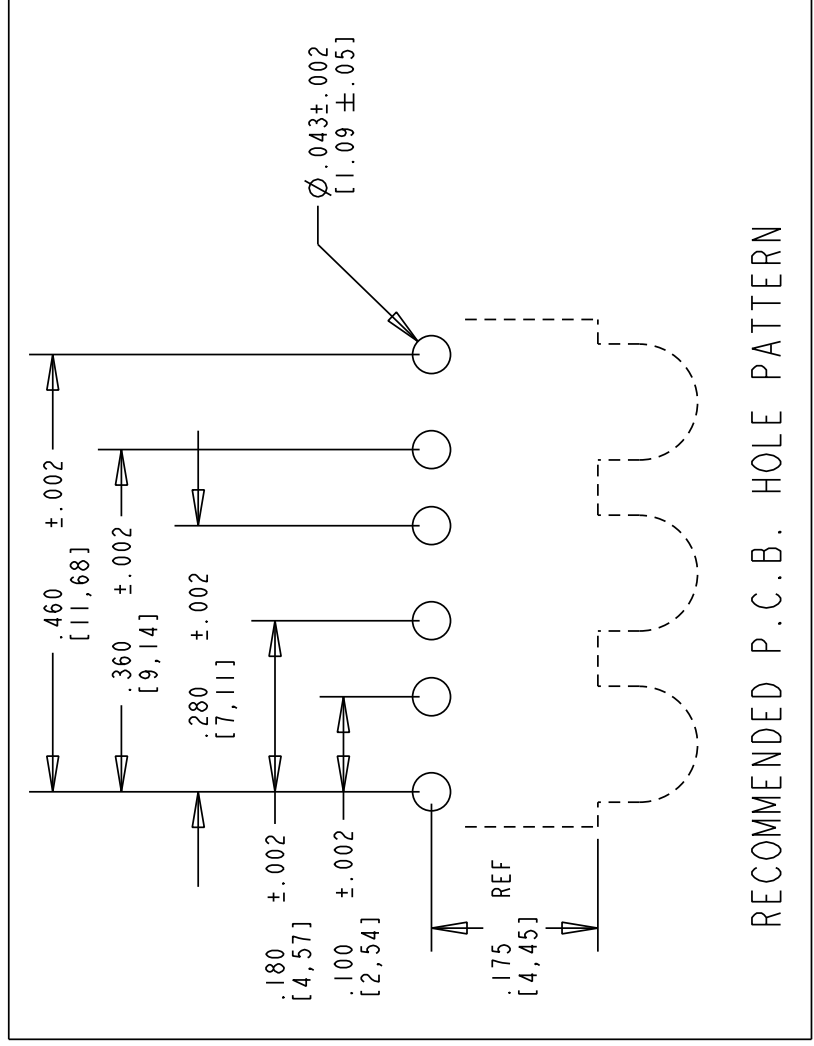


REV	ECN NO	DRN	CKD	APP	DATE
A		JLC			

REVISIONS	NEW RELEASE
-----------	-------------

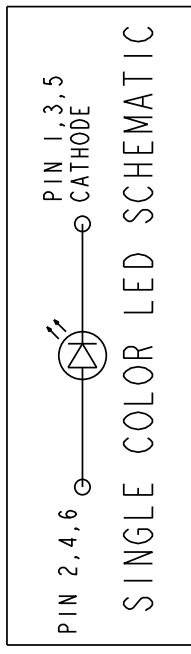
OPERATING CHARACTERISTICS AT 25°C AMBIENT						
CHARACTERISTICS	LED COLOR	MIN	TYP	MAX	UNITS	TEST CONDITIONS
LUMINOUS INTENSITY	RED	7.4	10.0		mcd	I <sub>f</sub> = 10 mA
	ORANGE	3.4	7.0	10.8		
FORWARD VOLTAGE	RED		2.0	2.8	V	I <sub>f</sub> = 10 mA
	ORANGE	1.5	1.9	2.4		
PEAK WAVELENGTH	RED		635		nm	
	ORANGE		600			
VIEWING ANGLE	ALL		60		Degree	I <sub>f</sub> = 10 mA

ABSOLUTE MAXIMUM RATING AT 25°C AMBIENT			
POWER DISSIPATION	RED	ORANGE	UNITS
	100	135	mW
CONTINUOUS FORWARD CURRENT	30	25	mA
DERATE LINEARLY FROM 50°C	0.40	0.50	mA/°C
PEAK FORWARD CURRENT	120	90	mA
LEAD SOLDERING TEMPERATURE, 5 SEC., 1/16" FROM BODY		260	°C
OPERATING TEMPERATURE		-55 TO +100	°C
STORAGE TEMPERATURE		-55 TO +100	°C



RoHS Compliant 551-0003-831F  
 Part Numbers with the "F" suffix ending are RoHS Compliant.  
 Packaging is marked with "RoHS Compliant" label or equivalent markings.  
 Parts can be wave soldered, dip soldered or hand soldered using typical lead-free soldering process with max 260°C temp. for 5 sec.

- NOTES:
- LEADS TO FIT INTO HOLES SPACED AS PER HOLE PATTERN
  - PIN NUMBERS ARE FOR REFERENCE ONLY. DESIGNATIONS NON-EXISTENT ON PART.
  - LED LEAD DIMENSIONS SHOWN ARE MEASURED AT HOUSING EXIT
  - DIALIGHT PART NUMBERS = 551-0003-831F.



THIS DRAWING AND THE CONTENTS HEREIN ARE CONFIDENTIAL AND THE SOLE PROPERTY OF DIALIGHT. REPRODUCTION OF THIS DRAWING OR CONSTRUCTION OF ANY PARTS WITHIN THIS DRAWING ARE FORBIDDEN WITHOUT THE WRITTEN CONSENT OF DIALIGHT.	
SCALE: DRAWING SCALE	DRAWING NUMBER
ALL DIM'S IN: INCHES (MM)	C-17547
TOLERANCES: UNLESS OTHERWISE SPECIFIED	REV
FRACTIONS: ±1/64	A
DECIMALS (.XX): ±.01	
DECIMALS (.XXX): ±.005	
DECIMALS (.XXXX): ±.0005	
ANGLES: ±1°	
FINISH:	
FSCM 83330	
TITLE 3mm LED CBI TRI-BLOCK, R,R,O	
MATERIAL RoHS COMPLIANT	
1501 ROUTE 34 SOUTH FARMINGDALE, NJ 07727	
Dialight	
SHEET 1 OF 1 FAMILY TABLE:	