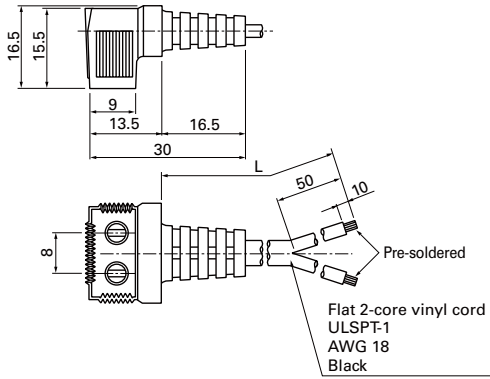


**UL/CSA Certified (unit : mm) UL FILE No.: E50197 CSA FILE No.: LR67048**

**For  $\phi 172\text{mm}\times 51\text{mm}$   $\phi 172\times 150\times 51\text{mm}$   $160\times 160\times 51\text{mm}$**

Model	Power cord length (L) [mm]	Mass [g]
489-084-L10	1,000	37
489-084-L21	2,100	70



● Be careful not to damage the plug/cord when taking them out of the package.