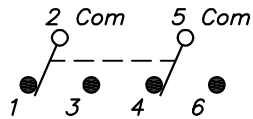


RECOMMENDED P.C.B. LAYOUT
NOT TO SCALE

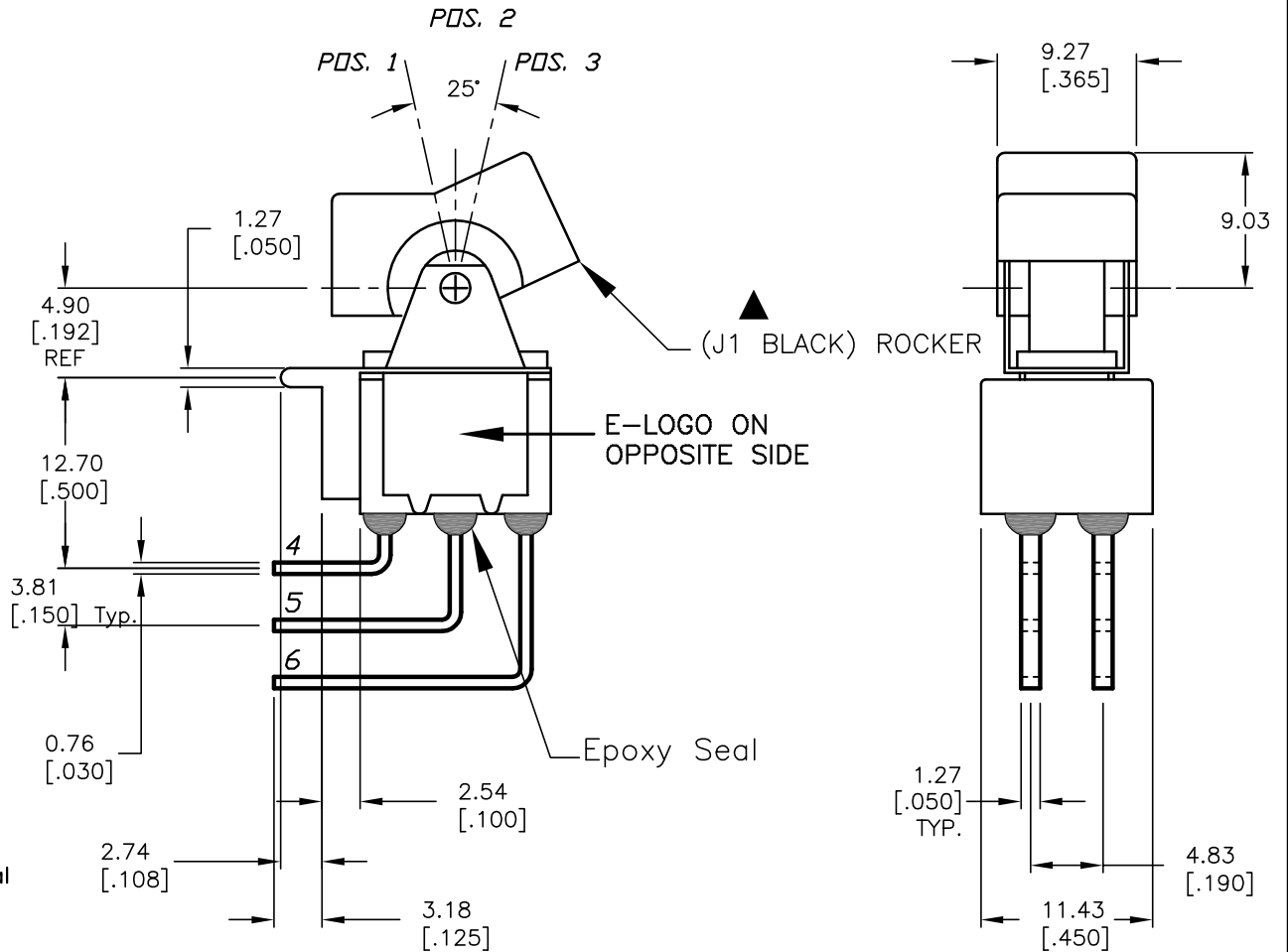
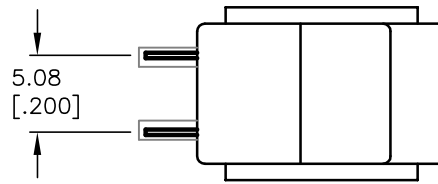


CIRCUIT: 2PDT

SWITCH FUNCTION		
PDS. 1	PDS. 2	PDS. 3
ON	ON	ON
2-3, 5-6	2-3, 5-4	2-1, 5-4

NOTES:

1. ALL DIMENSIONS IN MM [INCH]
2. GENERAL TOLERANCE: X.X=±0.4
X.XX=±0.25
3. TERM. NOS. FOR REF. ONLY
4. RATING: 5A @120VAC or 28VDC;
2A @250V.
5. MATERIAL: FIXED TERMINAL & MOVING CONTACT
Copper Alloy w/Silver plate
6. CONTACT RESISTANCE: 10mILLI Ohms max initial
@2-4VDC, 100mA for AG & AU
7. ELECTRICAL LIFE: 50,000 make-and-break
cycles at full load.
8. INSULATION RESISTANCE: 1,000M ohm min.
9. DIELECTRIC STRENGTH: 1000V RMS @sea level
10. OPERATING TEMP.: -30°C to 85°C



E-SWITCH®

TITLE					300DP6J1BLKM7QE				
SCALE	DATE	DR	DWG	REV	SCALE	DATE	DR	DWG	REV
2:1	1/15/04	AR	T326003	A	2:1	1/15/04	AR	T326003	A

THE INFORMATION CONTAINED IN THIS DOCUMENT
IS PROPRIETARY TO E-SWITCH AND IS
NOT TO BE COPIED OR TRANSFERRED