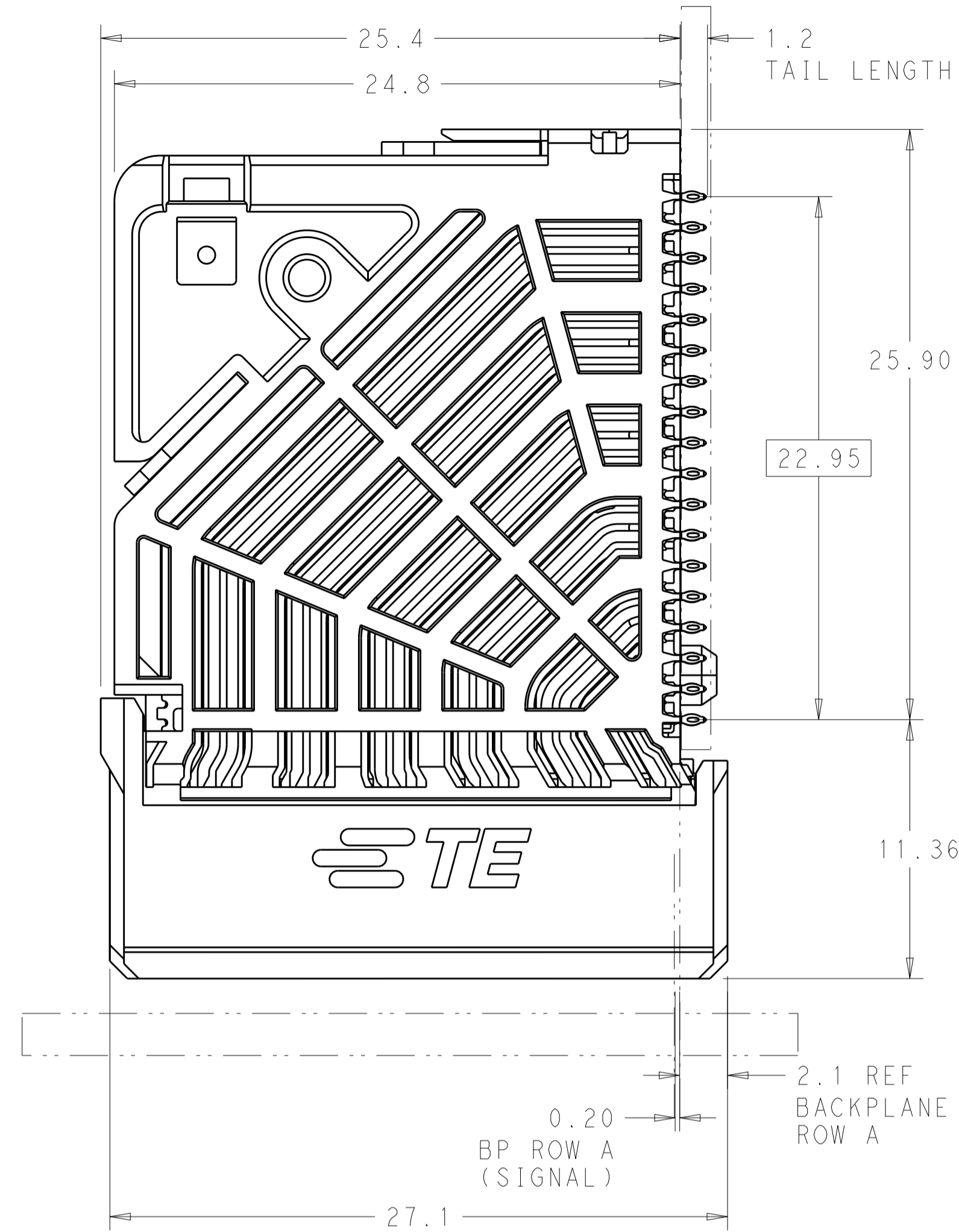
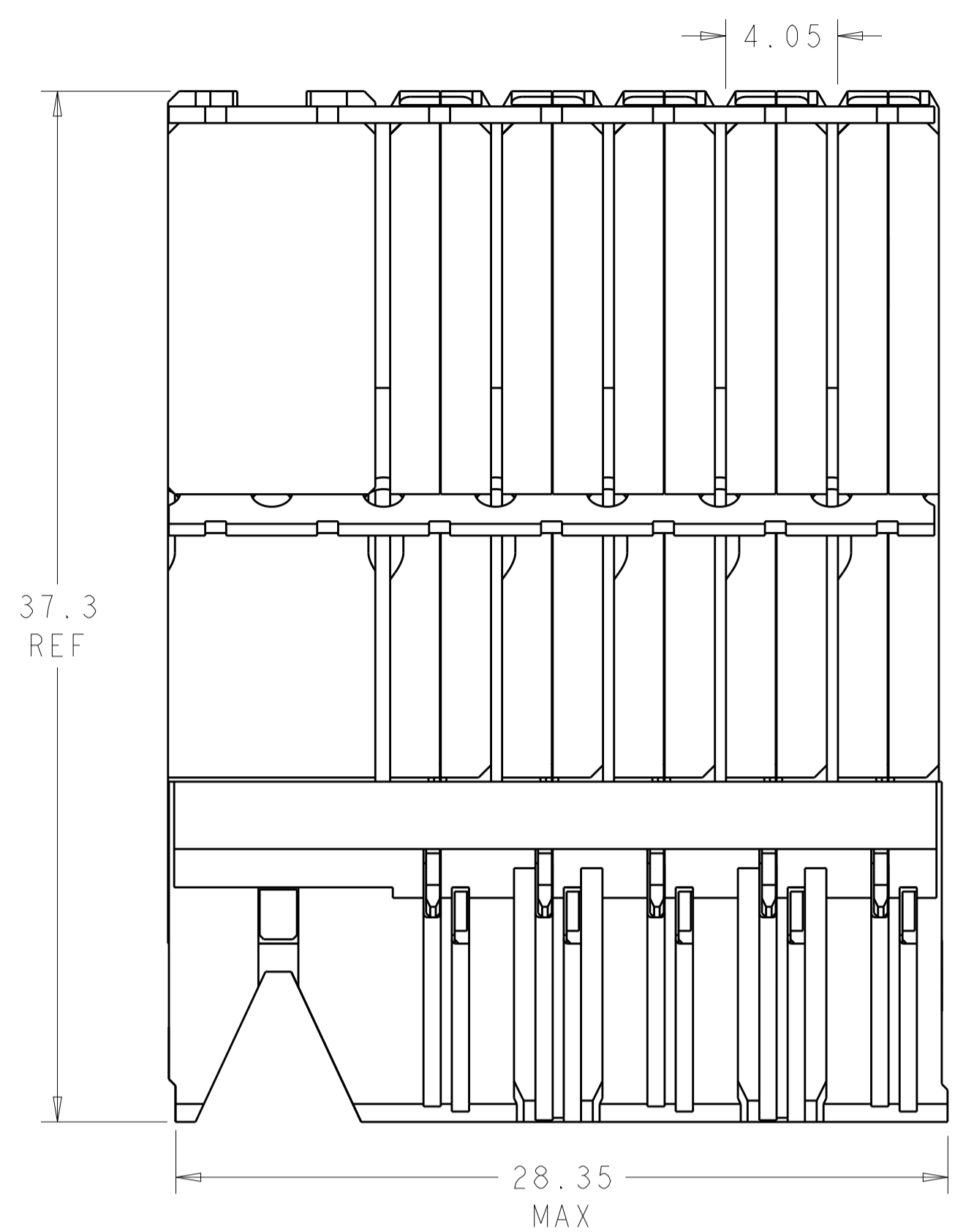
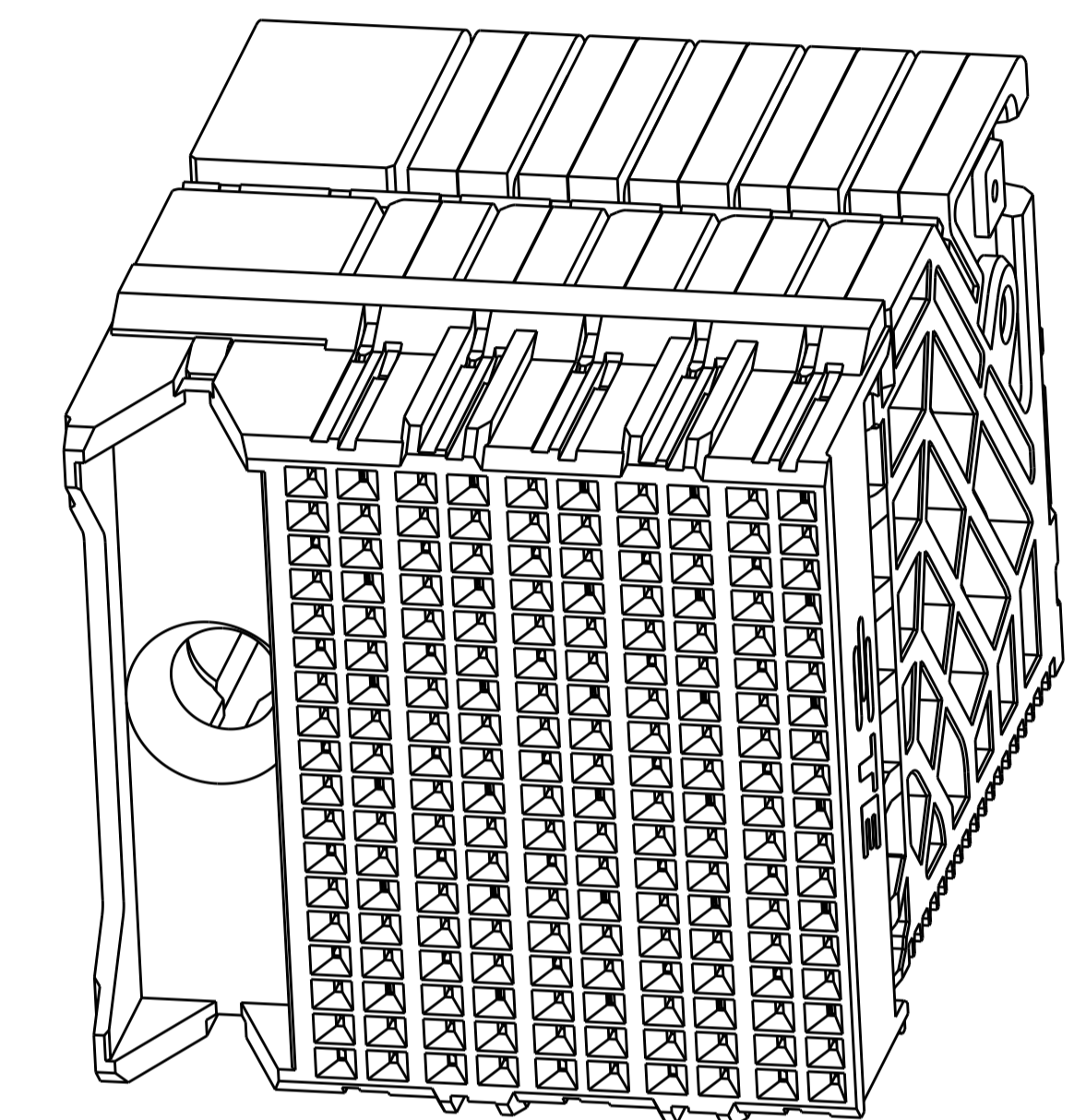


LOC		DIST		REVISIONS			
AD	00	P	LTN	DESCRIPTION	DATE	DWN	APVD
		D		REVISED PER ECO-15-012351	03SEP2015	AP	SY

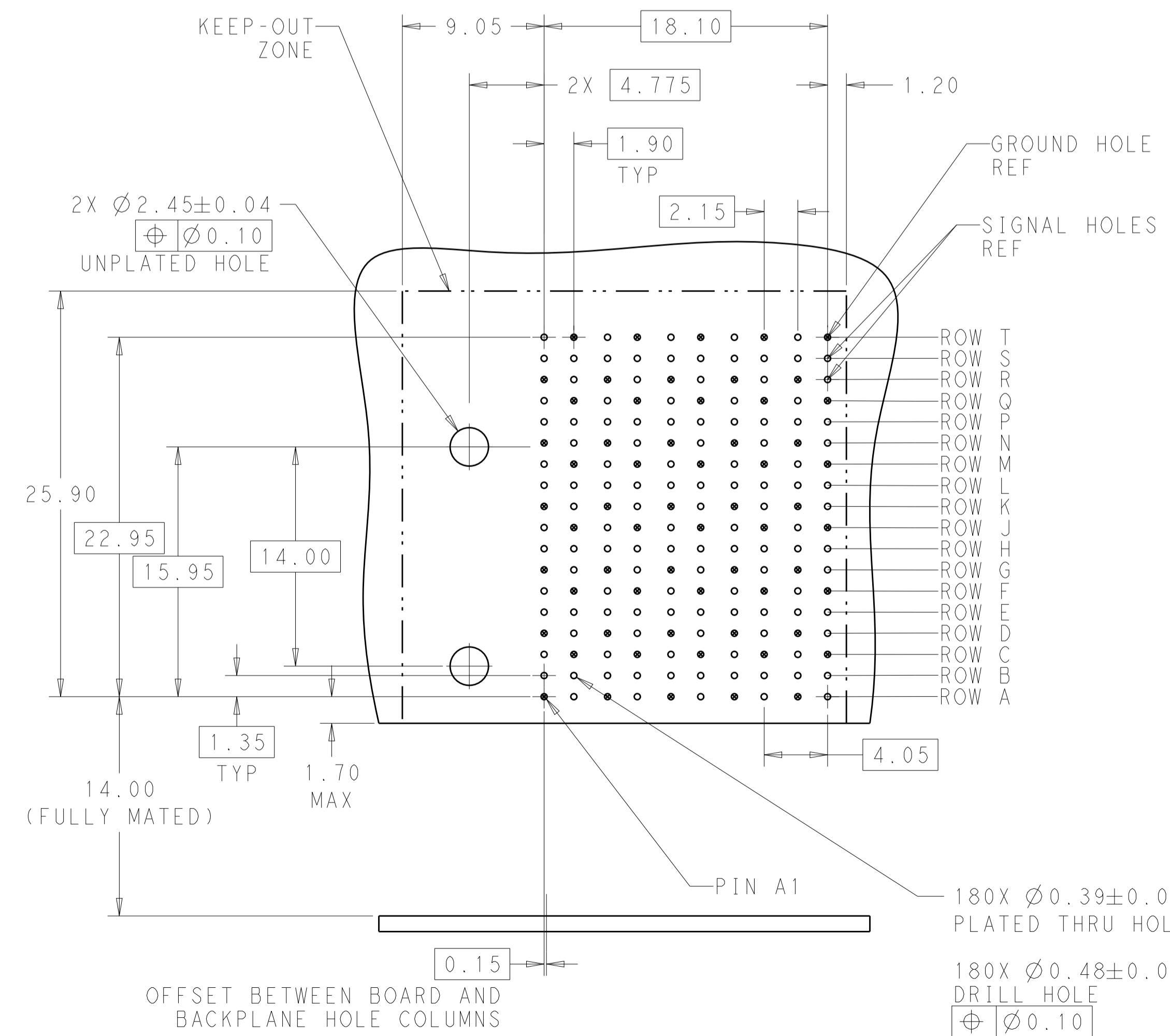
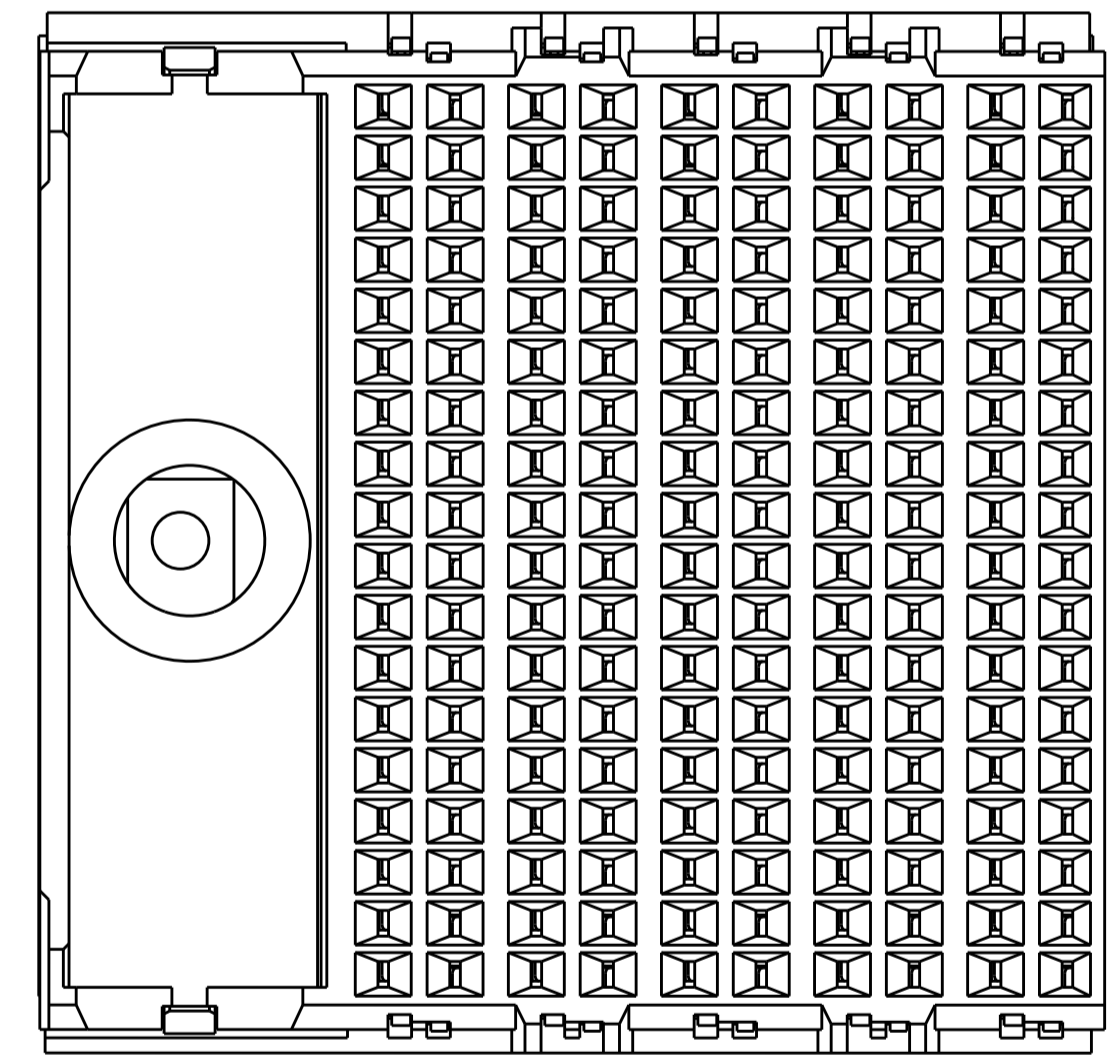


- ⚠ MATERIAL:
HOUSING: LCP, GLASS FILLED, UL94V-0.
TERMINALS: HIGH PERFORMANCE COPPER ALLOY.
- ⚠ FINISH:
30μ" SELECTIVE GOLD IN CONTACT AREA. SELECTIVE TIN ON PCB TAILS, NICKEL OVERALL.
- 3. CONNECTORS SUPPLIED WITH MOUNTING SCREWS.



SCALE 4:1

REFER TO WWW.TE.COM FOR PRODUCT AVAILABILITY



RECOMMENDED PCB LAYOUT
 MIN BOARD THICKNESS 1.0

NONE	⚠	2132724-1
KEY POSITION	FINISH	PART NUMBER
TE TE Connectivity		
DWN: 11MAY2011 CHK: D. DIXON APVD: D. DIXON		NAME: IMPACT, ORTHOGONAL, 6 PAIR, DAUGHTERCARD, 10 COLUMN, LEFT GUIDED, SIGNAL MODULE, 0.39 EYELET
DIMENSIONS: mm 0 PLC ±0.25 1 PLC ±0.15 2 PLC ±0.15 3 PLC ±0.15 4 PLC ±0.15 ANGLES ±0.15		SIZE: A1 CAGE CODE: 00779 DRAWING NO: 2132724
MATERIAL: SEE TABLE		RESTRICTED TO: -
Customer Drawing		SCALE: 5:1 SHEET 1 OF 1 REV D