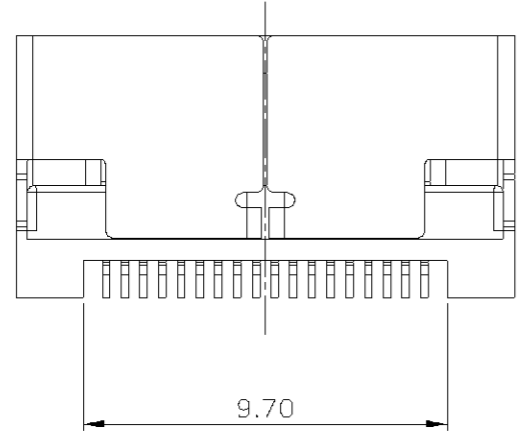
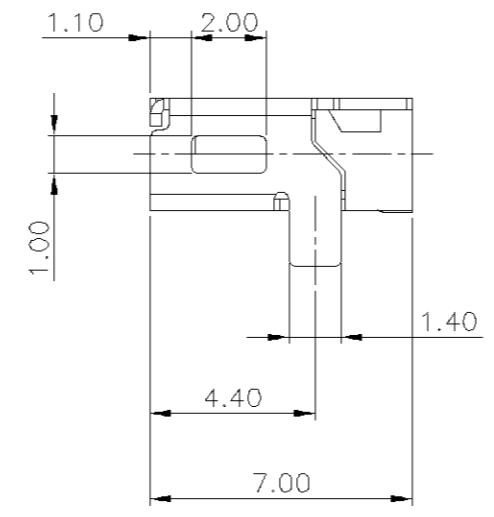
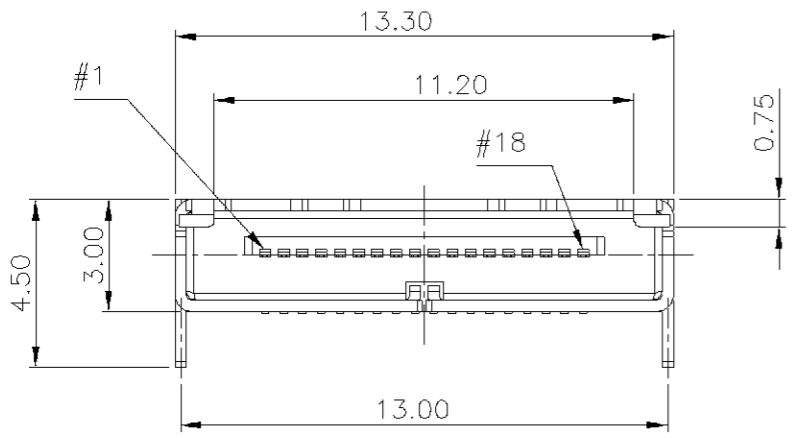
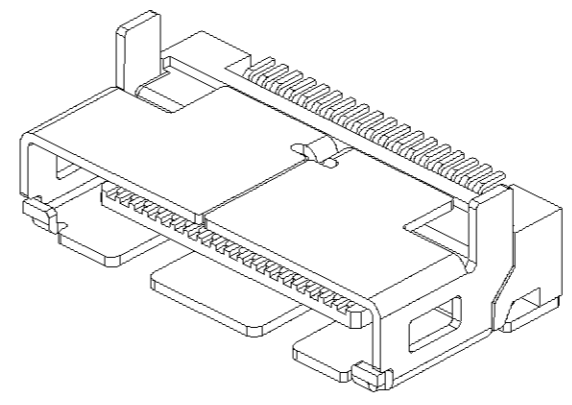
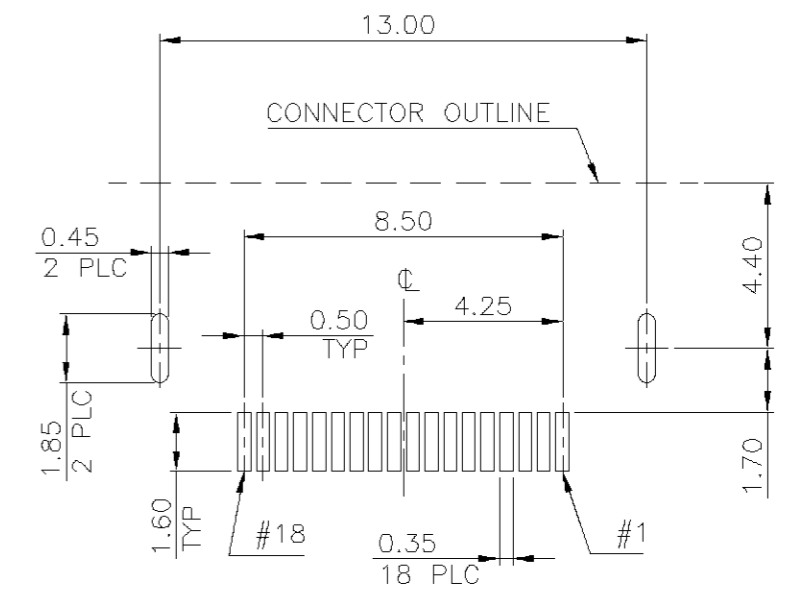
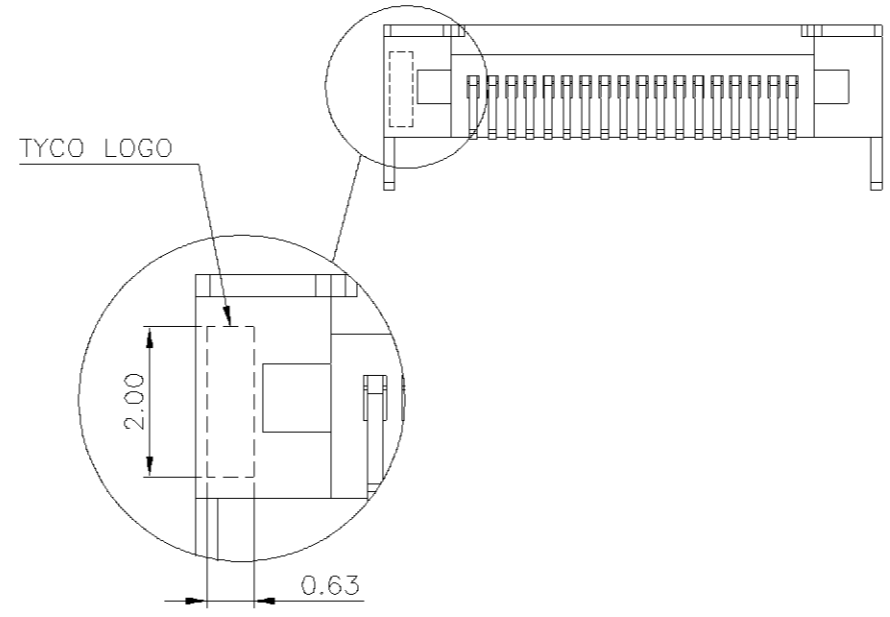
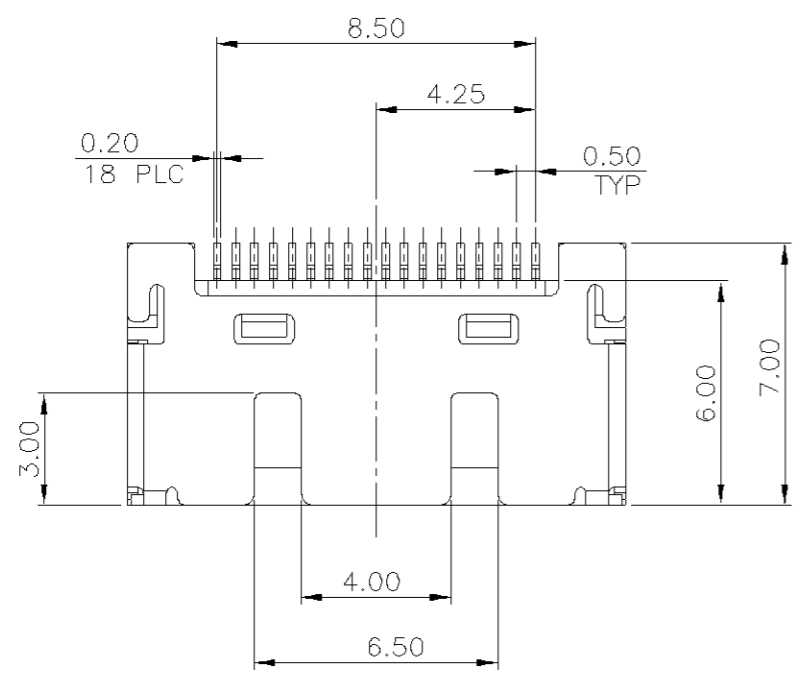


THIS INFORMATION IS CONFIDENTIAL AND IS DISCLOSED TO YOU ON CONDITION THAT NO FURTHER DISCLOSURE IS MADE BY YOU TO OTHER THAN AMP PERSONNEL WITHOUT WRITTEN AUTHORIZATION FROM AMP (TAIWAN) LTD. DIMENSIONS IN MILLIMETERS. DO NOT SCALE PRINT.

METRIC
3RD ANGLE PROJECTION
NUMBER C-1470284



NOTE:

- MATERIAL:
HOUSING: HIGH TEMP. THERMOPLASTIC UL94V-0, COLOR: BLACK.
CONTACTS: PHOSPHOR BRONZE.
SHELL: STAINLESS STEEL.
- FINISH:
CONTACTS: 1μ" MIN. GOLD PLATED IN CONTACT AREA,
80μ" MIN. TIN-LEAD ON SOLDER TAILS,
50μ" MIN. NICKEL UNDERPLATED ALL OVER.

1470284-1
PART NUMBER

TOLERANCES UNLESS OTHERWISE SPECIFIED: 0 PLC ±0.5 1 PLC ±0.3 2 PLC ±0.2 3 PLC ±- ANGLES ±5'	DWN A. WU 02-MAR-2004	 TYCO HOLDINGS (BERMUDA) VII LTD. TAIWAN BRANCH
MATERIAL SEE NOTE	CHK S. HOU 02-MAR-2004	
FINISH SEE NOTE	APVD T. KE 02-MAR-2004	NAME IO CONNECTOR, 0.5 MM PITCH, 18 POSITION, PLUG
	PRODUCT SPEC 108-57455	LOC DW
	QUALIFICATION TEST REPORT 501-57526	SIZE A ₃
	WEIGHT	DRAWING NO C-1470284
		REV O
		SCALE --
		SHEET 1 OF 2

O	FIRST RELEASED	FZ00-0021-04	AW SH	25FEB 2004
LTR	REVISION RECORD	ECN	DWN CHK	DATE

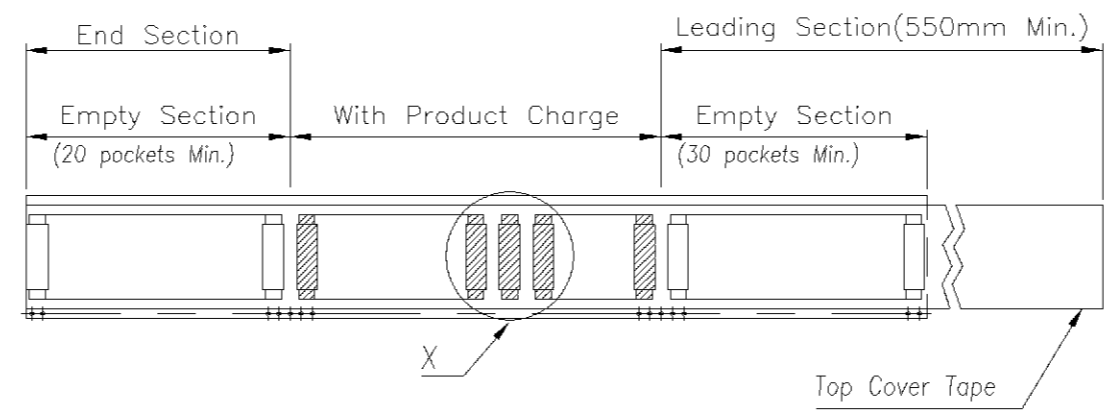
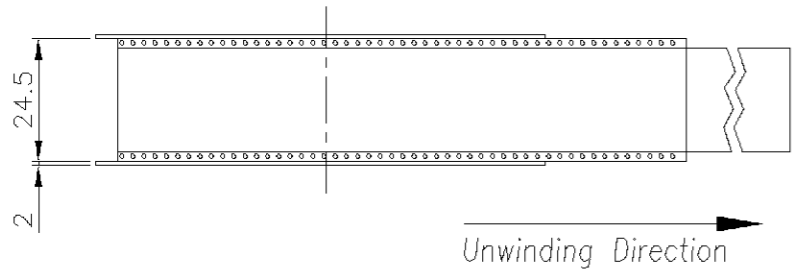
NUMBER
C-1470284

METRIC
3RD ANGLE PROJECTION

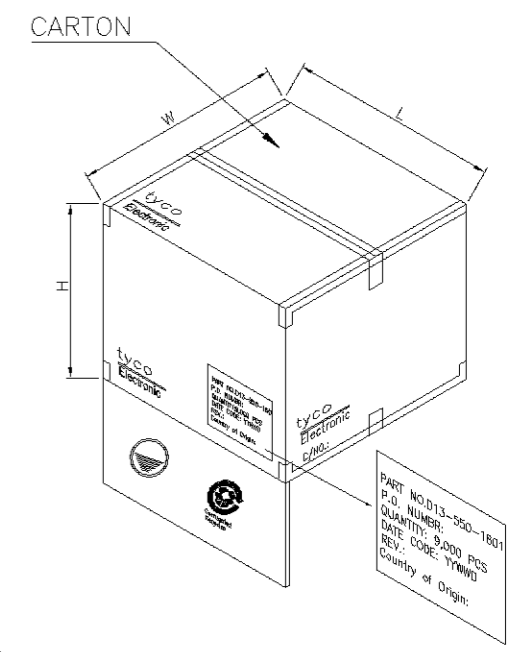
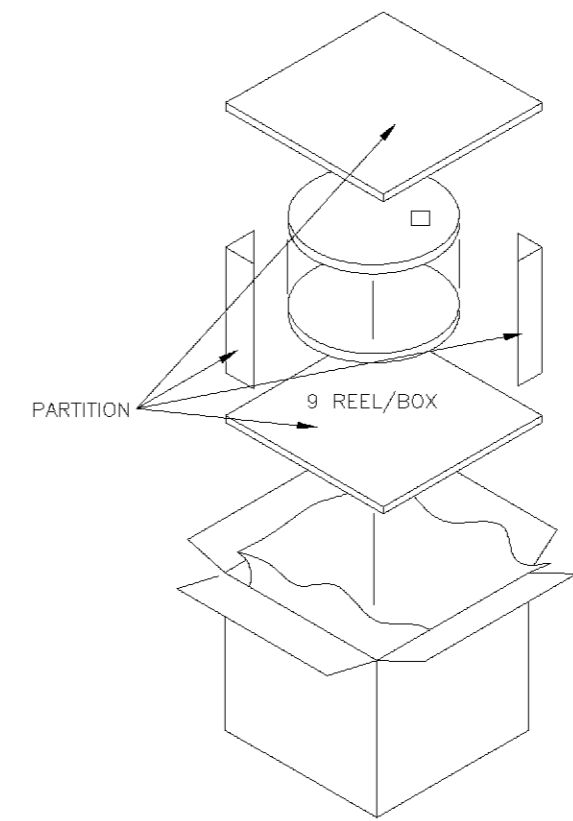
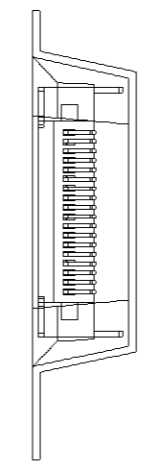
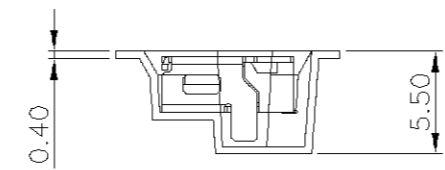
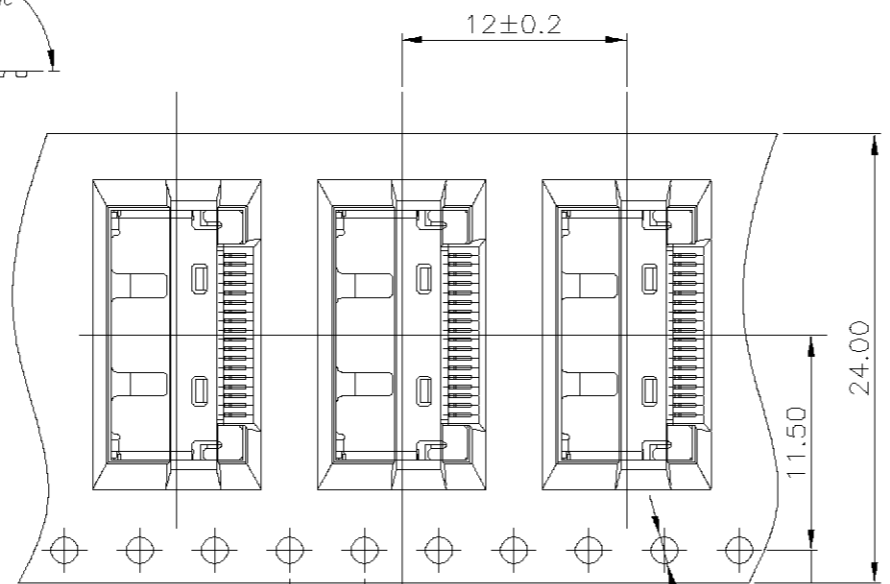
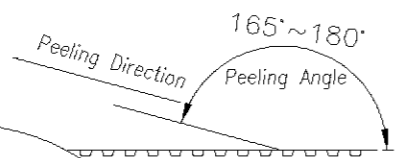
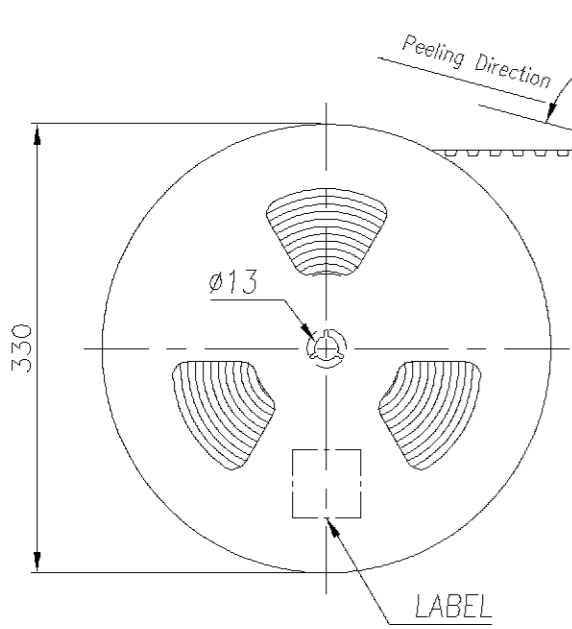
METRIC

THIS INFORMATION IS CONFIDENTIAL AND IS DISCLOSED TO YOU ON CONDITION THAT NO FURTHER DISCLOSURE IS MADE BY YOU TO OTHER THAN AMP PERSONNEL WITHOUT WRITTEN AUTHORIZATION FROM AMP (TAIWAN) LTD. DIMENSIONS IN MILLIMETERS. DO NOT SCALE PRINT.

PRINT
DW



- NOTE:
- MATERIAL:
REEL: PS.
CARRIER: PS.
COVER TAPE: PET.
 - DIMENSION:
SHIPPING CARTON: L=350, W=350, H=500
REEL: DIA.=330, w=28.5
 - QUANTITY:
1000PCS/REEL
9 REELS/SHIPPING CARTON
 - PEELING RESISTANCE: 20g TO 130g.



TOLERANCES UNLESS OTHERWISE SPECIFIED: 0 PLC ±0.3 1 PLC ±0.25 2 PLC ±0.15 3 PLC ±- ANGLES ±-	DWN	A. WU	tyco Electronics	TYCO HOLDINGS (BERMUDA) VII LTD. TAIWAN BRANCH		
	CHK	S. HOU		NAME		
MATERIAL	APVD	T. KE	IO CONNECTOR, 0.5 MM PITCH, 18 POSITION, PLUG			
-	PRODUCT SPEC	02-MAR-2004				
FINISH	APPLICATION SPEC	-	LOC	SIZE	DRAWING NO	REV
-	WEIGHT	-	DW	A ₃	C-1470284	O
			SCALE	SHEET		
			--	2 OF 2		

SEE SHEET 1.	ECN	DWN	CHK	DATE
LTR	REVISION RECORD			