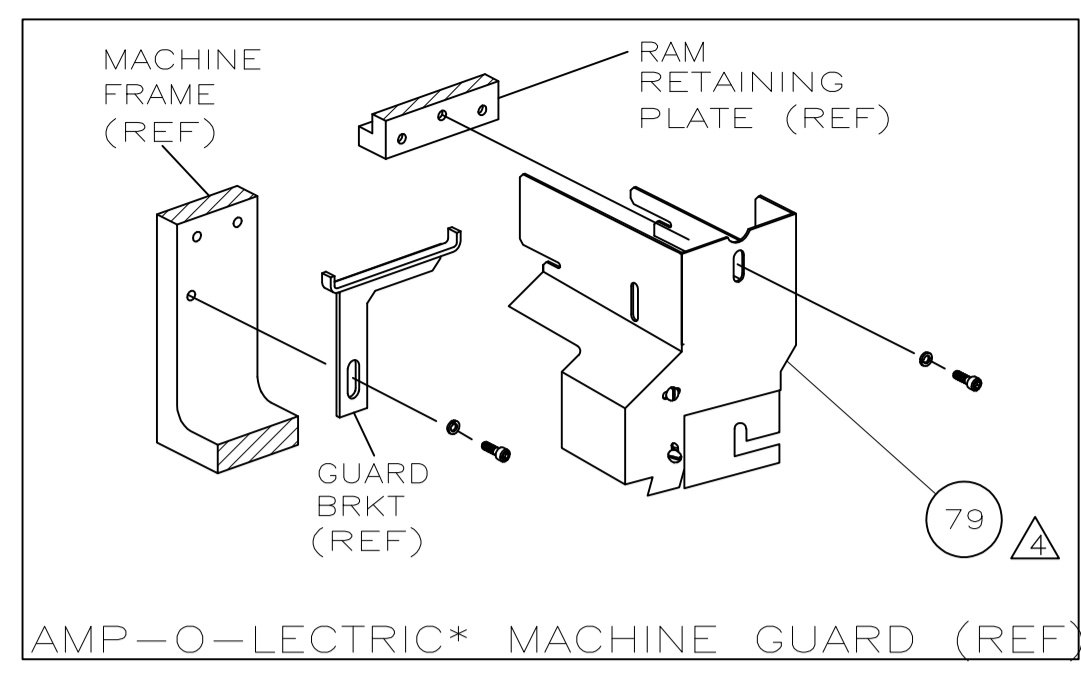
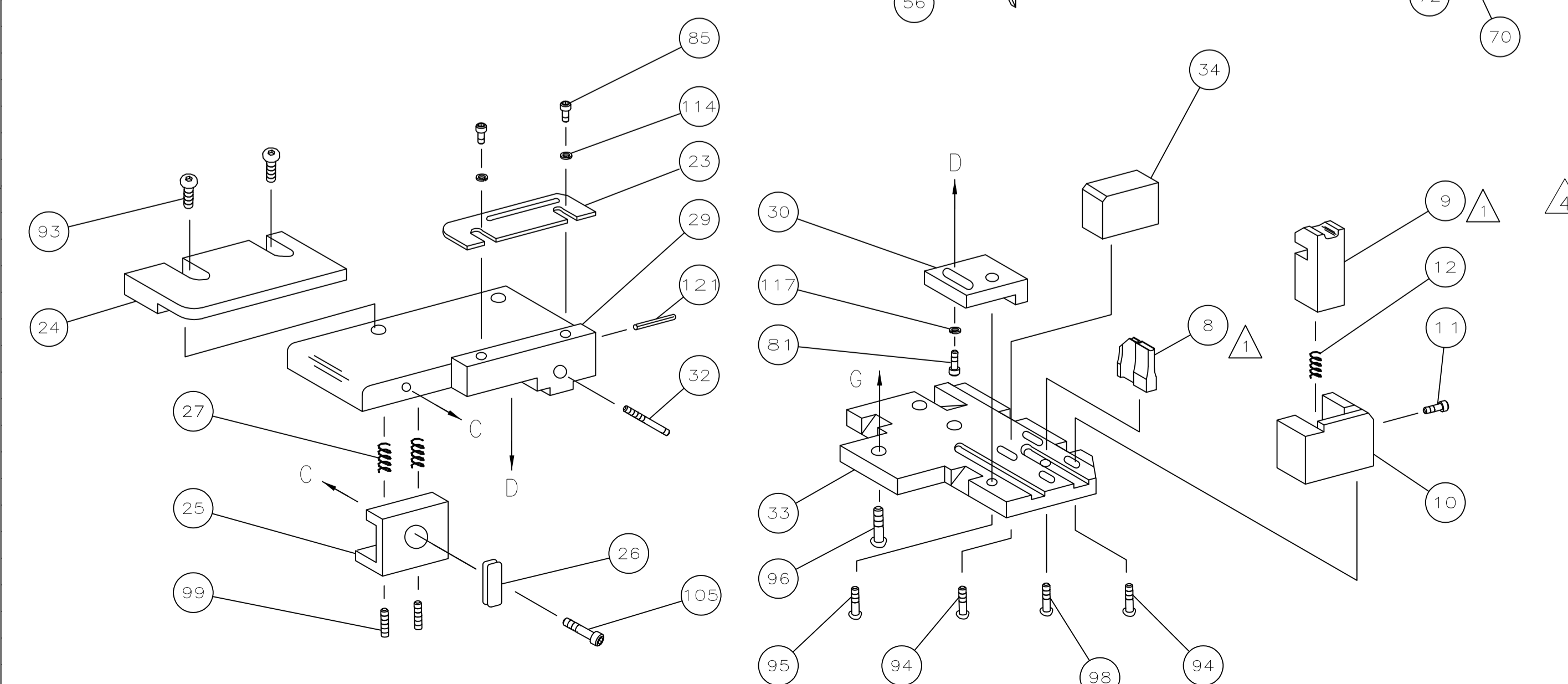


- NOTES:
- 1 RECOMMENDED SPARE PARTS.
  - 2 GREASE LIGHTLY.
  - 3 LUBRICATE DAILY USING NO. 20 MACHINE OIL.
  - 4 GUARD MUST BE IN PLACE WHEN OPERATING APPLICATOR IN AMP-O-ELECTRIC MACHINE.
  - 5. PARTS WITH QTY OF REF SPECIFIED (EXCEPT ITEM 79) ARE USED ON ITEM 46.



TERMINAL NAME:		CRIMPING DATA		
	556135-1	PAD LTR	CRIMP HEIGHT	WIRE SIZE
	556883-2	A	.098+.002	14
		B	.091+.002	16
		C	.087+.002	18
		D	NOT USED	
		CRIMP	SIZE	TYPE
		WIRE	.110	F
		FEED	.730	
		APPL INST	408-8040	SET UP GAGE
				10-1 458637-1 L1410
		WIRE STRIP LENGTH	-	
		MACHINE NO	565435-5	
		TERM APPL SPEC	114-6044	

REVISONS		DATE	BY	APPRO
LOC	A	66		
F LTR	G	ECR-07-023780	10-2007	MY TE

QTY	PART NO	DESCRIPTION	ITEM NO
			129
			128
			127
			126
			125
REF	21045-3	RING,RET "C"(.187φ)FEED FINGER PIN	124
			123
REF	5-21028-1	PIN,SLT SPR(.125φx.50)ADJ ROD	122
1	4-21028-0	PIN,SLT SPR(.093φx.75)ST GUIDE PL	121
REF	1-21030-1	PIN,DOWEL(.187φx.50)LEVER	120
REF	1-21030-6	PIN,DOWEL(.187φx1.25)HOUSING	119
			118
1	21024-5	WASHER,LOCK(NO.10)ADJ BLOCK	117
REF	21024-5	WASHER,LOCK(NO.10)ADJ PLATE	116
REF	21024-5	WASHER,LOCK(NO.10)FEED GUIDE ROD	115
2	21024-2	WASHER,LOCK(NO.4)FRONT STRIP GUIDE	114
			113
			112
4	21024-4	WASHER,LOCK(NO.8)STRIPPER	111
REF	21899-4	WASHER,FLAT(5/16 DIA)SCREW ADJ	110
			109
			108
REF	21018-5	NUT,HEX(6-32)FEED ADJ	107
			106
1	22353-8	SCR,SHLD(.187φx.25)DRAG LEVER	105
			104
1	21009-2	SCR,SKT SET(1/4-20x.25LOC-WEL)RAM	103
2	21017-2	SCR,DRIVE(#2x.19)ID PLATE	102
REF	6-23715-5	SCR,PAN HD(6-32x1.50)FEED ADJ	101
1	461264-1	PLATE, IDENTIFICATION	100
2	5-21006-6	SCR,BHC(10-32x.88)DRAG	99
1	22733-8	SCR,BHC(8-32x.38LOC-WEL)ANVIL	98
REF	2-21002-9	SCR,BHC(10-32x.75)CAP	97
REF	2-22733-8	SCR,BHC(1/4-20x.62)HOUSING	96
REF	2-21002-7	SCR,BHC(10-32x.50)SG ADJ BLOCK	95
4	2-21002-2	SCR,BHC(8-32x.50)SHEAR	94
2	2-21002-2	SCR,BHC(8-32x.50)R STRIP GUIDE	93
			92
1	1-21002-7	SCR,BHC(6-32x.38)CAM	91
			90
			89
			88
2	2-21000-7	SCR,SKT CAP(8-32x.50)DEP-HOLD DOWN	87
1	2-22603-0	SCR,HEX HEAD(8-32x.31)FEED FINGER	86
2	1-21000-3	SCR,SKT CAP(4-40x.25)F STRIP GUIDE	85
1	2-21000-7	SCR,SKT CAP(8-32x.50)STRIPPER	84
REF	3-21000-7	SCR,SKT CAP(10-32x.75)FEED ROD GD	83
REF	3-21000-6	SCR,SKT CAP(10-32x.62)FEED ADJ BLK	82
1	3-21000-4	SCR,SKT CAP(10-32x.38)SG ADJ BL	81
REF	3-21000-4	SCR,SKT CAP(10-32x.38)PIVOT BLOCK	80
REF	455755-1	GUARD, WINDOW	79
1	21018-5	NUT, HEX (6-32)	78
1	811242-2	SCR,SKT CAP(10-32x.38)SG ADJ BL	77
			76
			75
1	690603-1	SPRING, ASSIST	74
1	23030-1	SCR,SKT CAP(6-32x.25)CP DISC	73
REF	458109-1	WASHER, SPECIAL	72
REF	690517-1	SPACER	71
QTY	PART NO	DESCRIPTION	ITEM NO

QTY	PART NO	DESCRIPTION	ITEM NO
			70
REF	22594-8	NUT, HEX	69
REF	240628-1	PLATE, ADJUSTMENT	68
REF	240626-1	SHAFT, PIVOT	67
REF	240633-1	BUSHING	66
REF	455680-1	LEVER, INTERMEDIATE	65
REF	240629-1	BLOCK, PIVOT	64
REF	240632-2	SCREW, ADJUSTMENT FEED ROD	63
REF	240659-3	PIN, CAM ROLLER	62
REF	240658-1	ROLLER, CAM	61
REF	454398-2	ROD, FEED	60
REF	454178-1	GUIDE, FEED ROD	59
REF	454220-1	CAP, HOUSING	58
REF	454485-1	HOUSING	57
			56
1	458537-2	PAWL, FEED	55
REF	240624-1	PIN, FEED FINGER	54
REF	691499-1	SPRING, FEED FINGER	53
REF	690541-1	FINGER, FEED	52
REF	455679-1	LEVER, TERMINAL FEED ARM	51
			50
1	7-21002-9	BOLT, CRIMPER(5/16-24x1.00)	49
1	690602-5	CAM, PRE-FEED 1 1/8 STROKE	48
			47
1	459456-1	APPLICATOR, BASIC (SUBASSY)	46
1	690191-1	PLUG, NYLON	45
1	455673-1	RAM	44
1	690125-1	WASHER, LAMINATED	43
1	690124-1	WASHER, RAM	42
1	690223-1	DISC, SPACER	41
1	23241-6	BALL, STEEL	40
1	690170-1	SPRING, COMPRESSION	39
			38
1	1-690141-0	DISC, WIRE	37
1	22480-5	WASHER, SPRING	36
1	690212-1	POST, RAM	35
1	690786-3	SUPPORT, TERMINAL	34
REF	455675-1	PLATE, BASE	33
1	690432-3	SCREW, ADJUSTMENT	32
			31
REF	455689-1	BLOCK, STRIP GUIDE ADJ	30
1	458144-1	PLATE, STRIP GUIDE	29
1	2-455888-5	SPACER, FRONT SHEAR DEP	28
2	1-22284-0	SPRING, DRAG	27
1	356835-1	LEVER, DRAG RELEASE	26
1	240792-1	DRAG, STOCK	25
1	9-690504-7	GUIDE, STRIP (REAR)	24
1	690438-1	GUIDE, STRIP (FRONT)	23
			22
REF	4-22284-9	SPRING, FEED RETURN	21
			20
1	691353-1	STRIPPER	19
1	690753-1	HOLDER, TERMINAL	18
			17
			16
			15
			14
			13
1	3-22280-3	SPRING, SHEAR	12
1	690461-1	STOP, SHEAR	11
1	690459-5	HOLDER, SHEAR (FRONT)	10
1	454276-8	SHEAR, FLOAT (FRONT)	9
1	5-683403-0	ANVIL	8
			7
			6
1	1-455889-4	DEPRESSOR, SHEAR (FRONT)	5
			4
			3
			2
1	456411-2	CRIMPER, WIRE	1
QTY	PART NO	DESCRIPTION	ITEM NO

\* Trademark of AMP Incorporated

THIS DRAWING IS A CONTROLLED DOCUMENT.

DIMENSIONS: INCHES	TOLERANCES UNLESS OTHERWISE SPECIFIED:	DIN D. SALTZER 6-3-97	Byc Electronics Corporation Harrisburg, PA 17105-3608
0 PLC ± .005	1 PLC ± .002	6-3-97	
1 PLC ± .002	2 PLC ± .001		
2 PLC ± .001	3 PLC ± .0005		
3 PLC ± .0005	4 PLC ± .0002		
4 PLC ± .0002	ANGLES ± .005		
MATERIAL	FINISH	APPRO T. ELBIN 6-3-97	NAME
			MINIATURE QUICK CHANGE APPLICATOR SIDE FEED (INERGY)
		APPLICATION SPEC	SIZE CASE CODE DRAWING NO
		WEIGHT	A1 00779 C=567403-2
		CUSTOMER DRAWING	SCALE SHEET 1 of 1 REV G