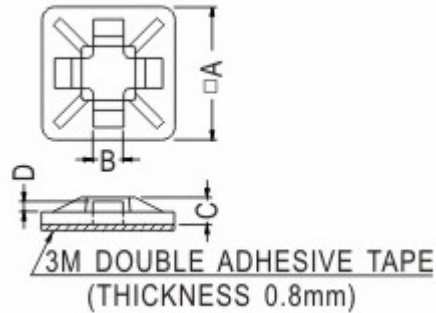


530909100



Packing: 1000 pcs

530909100					Material: PA6.6 / UL94V2
TWO-WAY BASE, self-adhesive					Colour: Natural
A = 13.0	C = 3.2				Geprüft / Drawn Mark Wirth 2009-07-02
B = 3.2	D = 1.3				

Würth Elektronik eiSos GmbH & Co KG
 D – 74638 Waldenburg
 Max-Eyth-Straße 1
 Tel.: 0049 7942-945-0 / Fax: 0049 7942-945-400
www.we-online.de