


Adapter plate - HC-D 15-ADP/1 DSUB 9 - 1661312

Please be informed that the data shown in this PDF Document is generated from our Online Catalog. Please find the complete data in the user's documentation. Our General Terms of Use for Downloads are valid (<http://download.phoenixcontact.com>)

D-SUB adapter plate, for one D-SUB connector, no. of positions 9, housing series HC-D 15...



Key commercial data

Packing unit	1 PCE
Minimum order quantity	2 PCE
GTIN	 4 017918 022570
Weight per Piece (excluding packing)	10.01 GRM
Custom tariff number	85389099
Country of origin	Germany

Technical data

Dimensions

Hole diameter	3.2 mm
---------------	--------

General

Material	PA
Inflammability class according to UL 94	HB
Color	gray
Number of positions	9
Design	D15

Classifications

eCl@ss

eCl@ss 4.0	27140816
------------	----------

Adapter plate - HC-D 15-ADP/1 DSUB 9 - 1661312

Classifications

eCl@ss

eCl@ss 4.1	27140816
eCl@ss 5.0	27143424
eCl@ss 5.1	27143424
eCl@ss 6.0	27143424
eCl@ss 7.0	27440209
eCl@ss 8.0	27440209

ETIM

ETIM 3.0	EC002310
ETIM 4.0	EC002310
ETIM 5.0	EC002309

UNSPSC

UNSPSC 6.01	30211808
UNSPSC 7.0901	39121408
UNSPSC 11	39121408
UNSPSC 12.01	39121408
UNSPSC 13.2	39121408

Approvals

Approvals

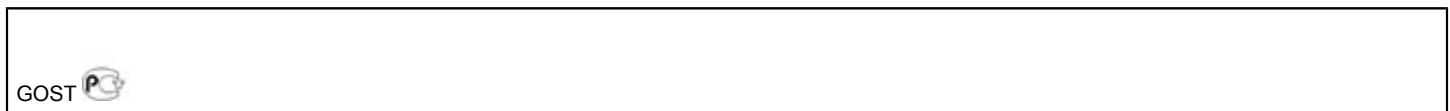
Approvals

GOST

Ex Approvals

Approvals submitted

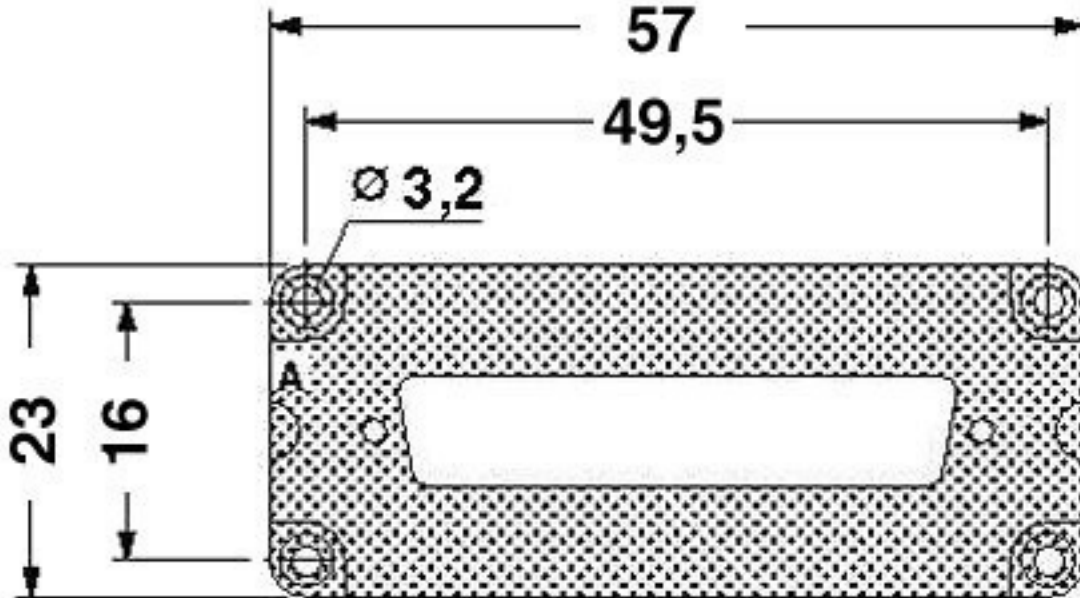
Approval details



Adapter plate - HC-D 15-ADP/1 DSUB 9 - 1661312

Drawings

Dimensioned drawing



Dimensioned drawing

