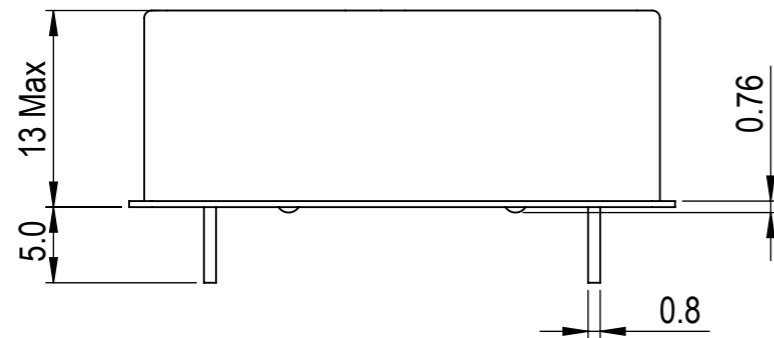
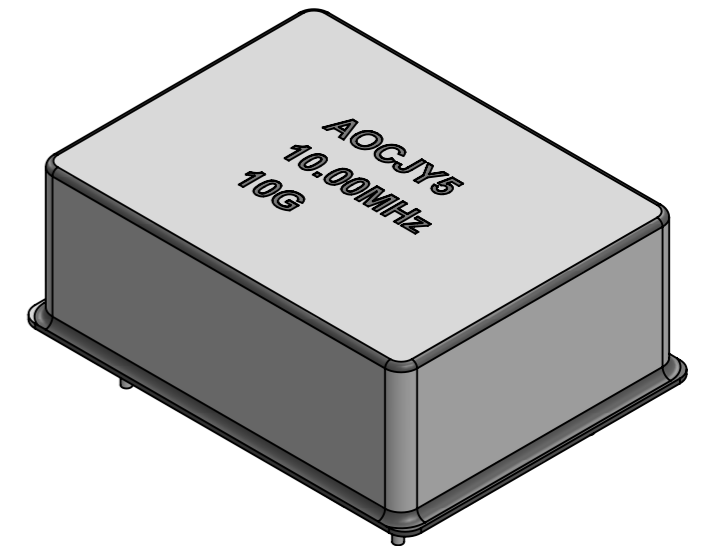
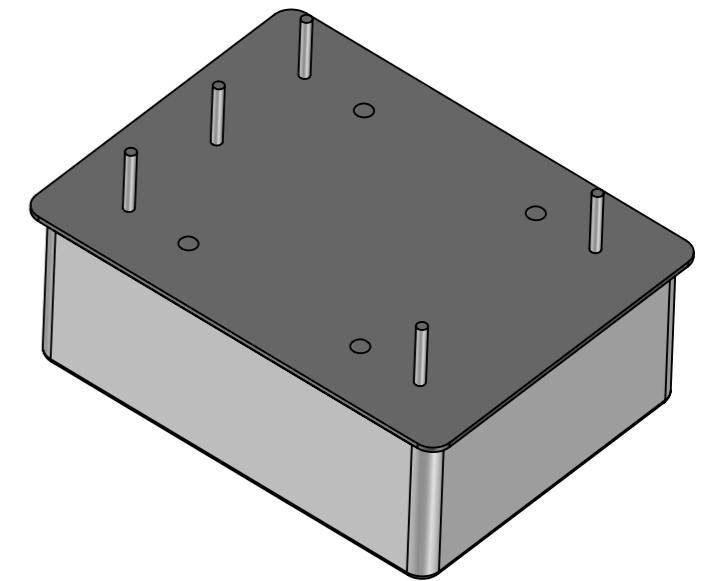



Bottom View



PIN	FUNCTION:
1	Control Voltage/NC
2	Reference Voltage/NC
3	Power Supply
4	R F OUT
5	GND



UNLESS OTHERWISE SPECIFIED: DIMENSIONS ARE IN MM SURFACE FINISH: TOLERANCES: LINEAR: ANGULAR:				FINISH:		DEBUR AND BREAK SHARP EDGES		DO NOT SCALE DRAWING		REVISION -	
DRAWN XXXXXX				SIGNATURE		DATE		 ABRACON CORPORATION 30332 Esperanza, Rancho Santa margarita, California 92688			
CHK'D XXXXXX											
APPV'D								TITLE: OVEN CONTROLLED CRYSTAL OSCILLATOR			
MFG								DWG NO. AOCJY5		A3	
Q.A						MATERIAL:		SCALE:2:1		SHEET 1 OF 1	
						WEIGHT:					