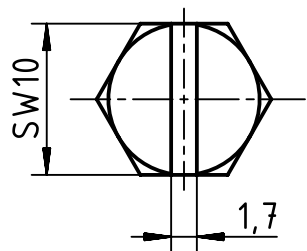
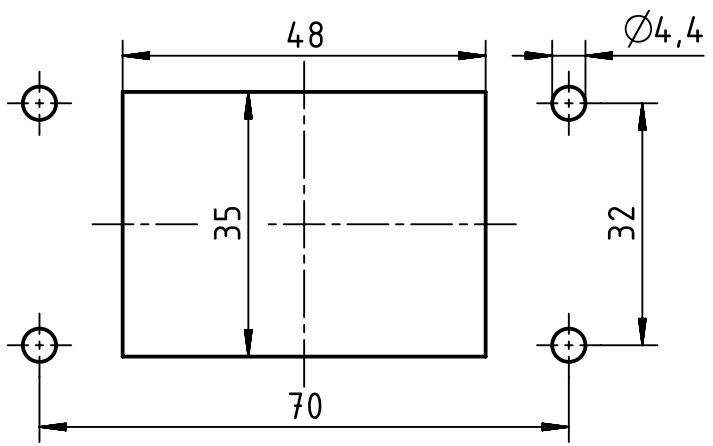
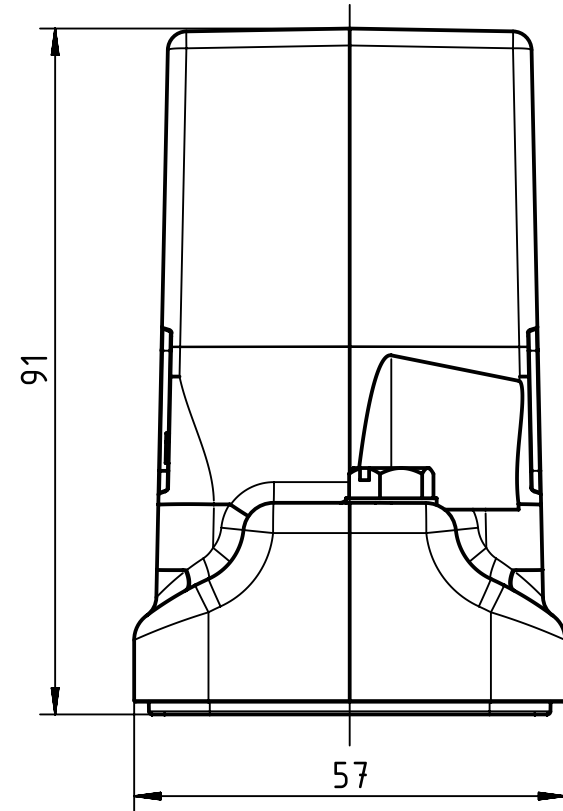
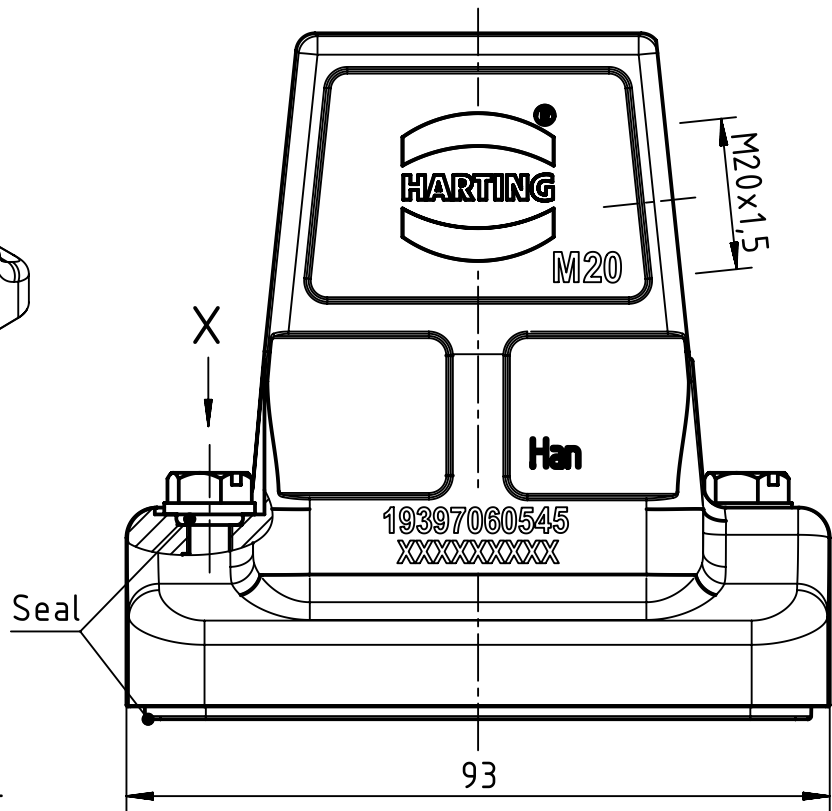


X (2:1)



Panel cut out



	All Dimensions in mm Original Size DIN A4		Scale 1:1	Free size tol.		Ref.
	All rights reserved Department EL PD - CN		Created by LONGL	Inspected by WENE	Standardisation SCHMIDTM	Sub.
HARTING (Zhuhai) Manufacturing Co., Ltd. 519085 Zhuhai, China			Title <b>Han 6HP Direct/M-HSE-M20</b>			Date 2017-03-20
			Type TB	Number 19 39 706 0545		State Final Release
						Doc-Key / ECM-Nr. 100664129/UGD/003/C 500000116980
						Rev. <b>C</b>
						Page 1/1