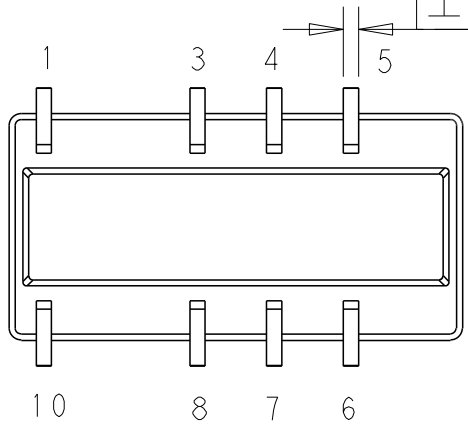
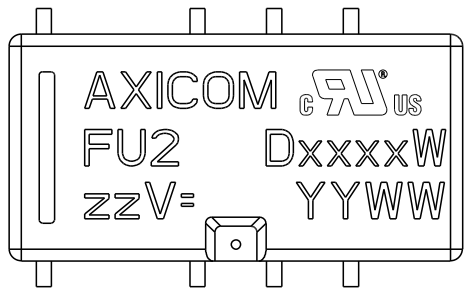
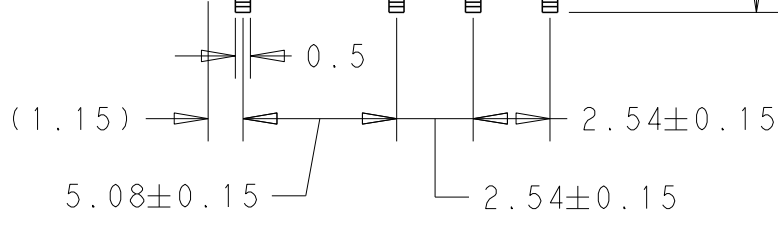
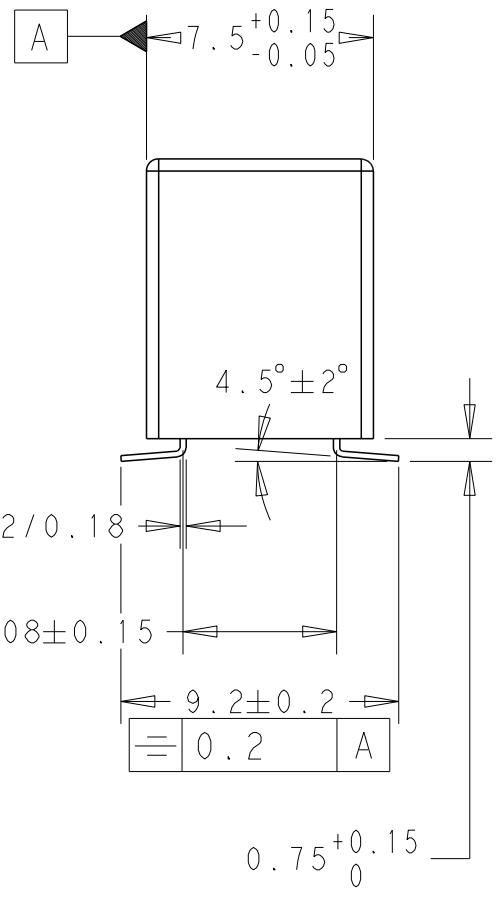
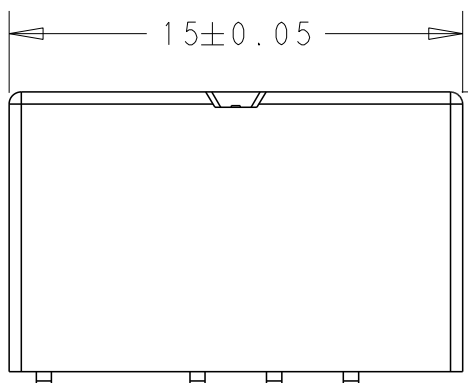


USED ON FU2 SMT long term.

⊥ 0.2 ST A



Relay - bottom view



Coplanarity < 0.100 mm

xxxx = Relay Type
 zz = Nominal Voltage
 YYWW = Date Code

DWG NO 1462036-2

AND AFFILIATES (TE). IT MAY NOT BE DISCLOSED TO ANYONE, OTHER THAN TE PERSONNEL, WITHOUT AUTHORIZATION FROM TE (www.TE.com).

A7	ECR-15-000926	20.1.15	VG	PH	DWN	26-Mar-98	CHK	26-Mar-98	APVD	26-Mar-98
A6	ECR-11-015637	17.7.13	MV	PH	CW	9196	EG	9192	HD	9121
A5	ECO-11-005150	21.3.11	RK	HMR	DIMENSIONS: mm			MATERIAL - - HT TR - -		
LTR	REVISION RECORD	DATE	DWN	APVD	TOLERANCES UNLESS OTHERWISE SPECIFIED:			TE Connectivity		
THIS DRAWING IS A CONTROLLED DOCUMENT.					SURFACE TEXTURE			NAME		
					SCALE 4:1			FU2-W Relay Dimensional Drawing		
					SIZE/FMT A4			DRAWING NO C - 1462036-2		
					DRAWING NO C - 1462036-2			SHEET 1 OF 1		
								REV A7		