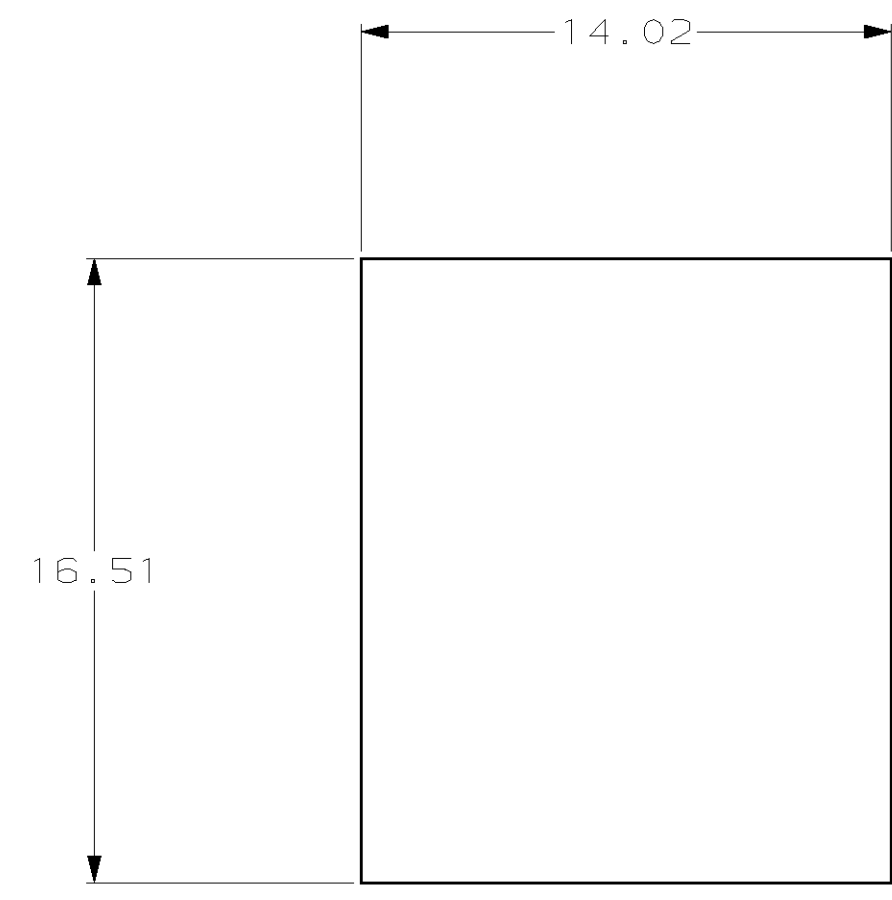
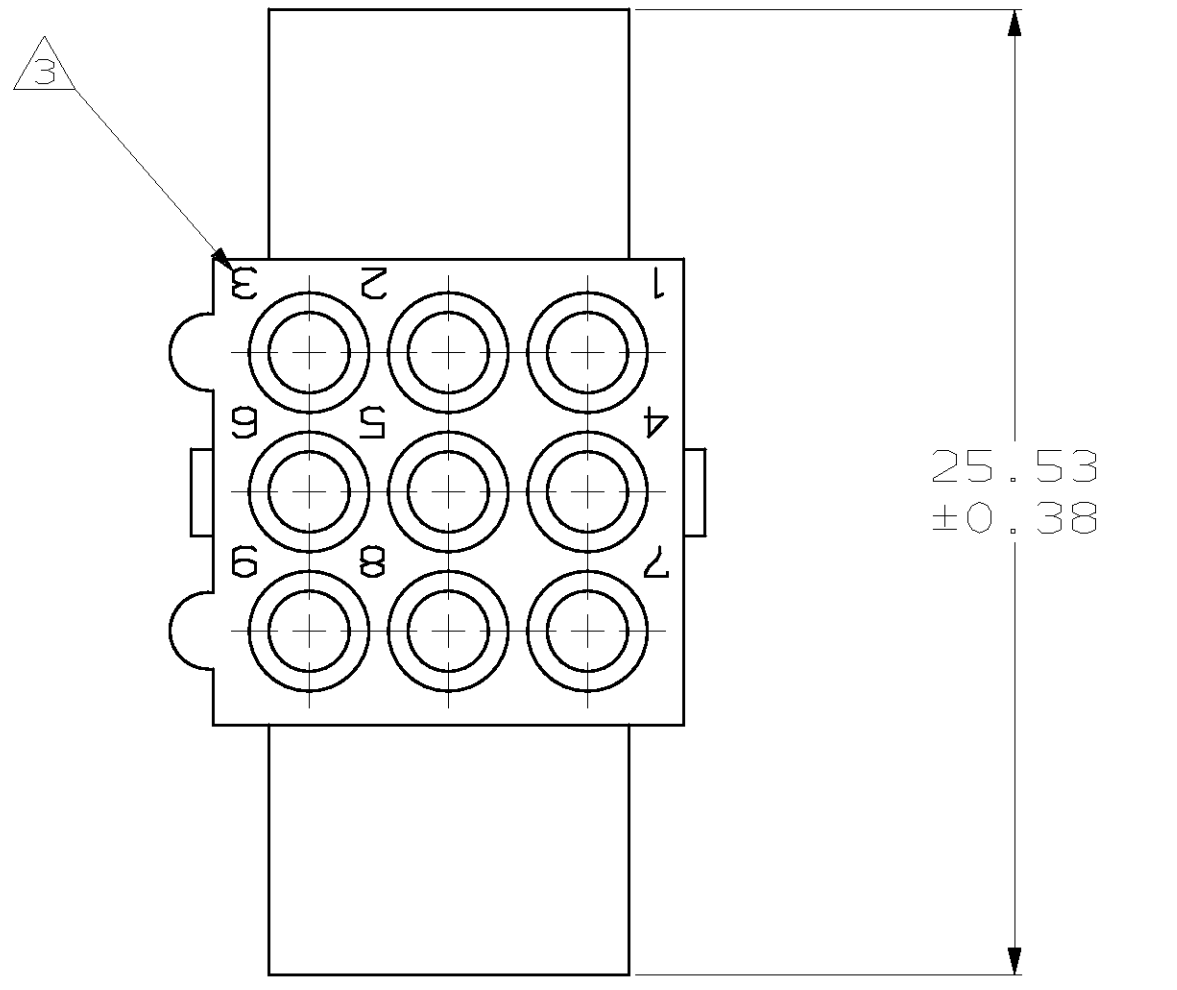
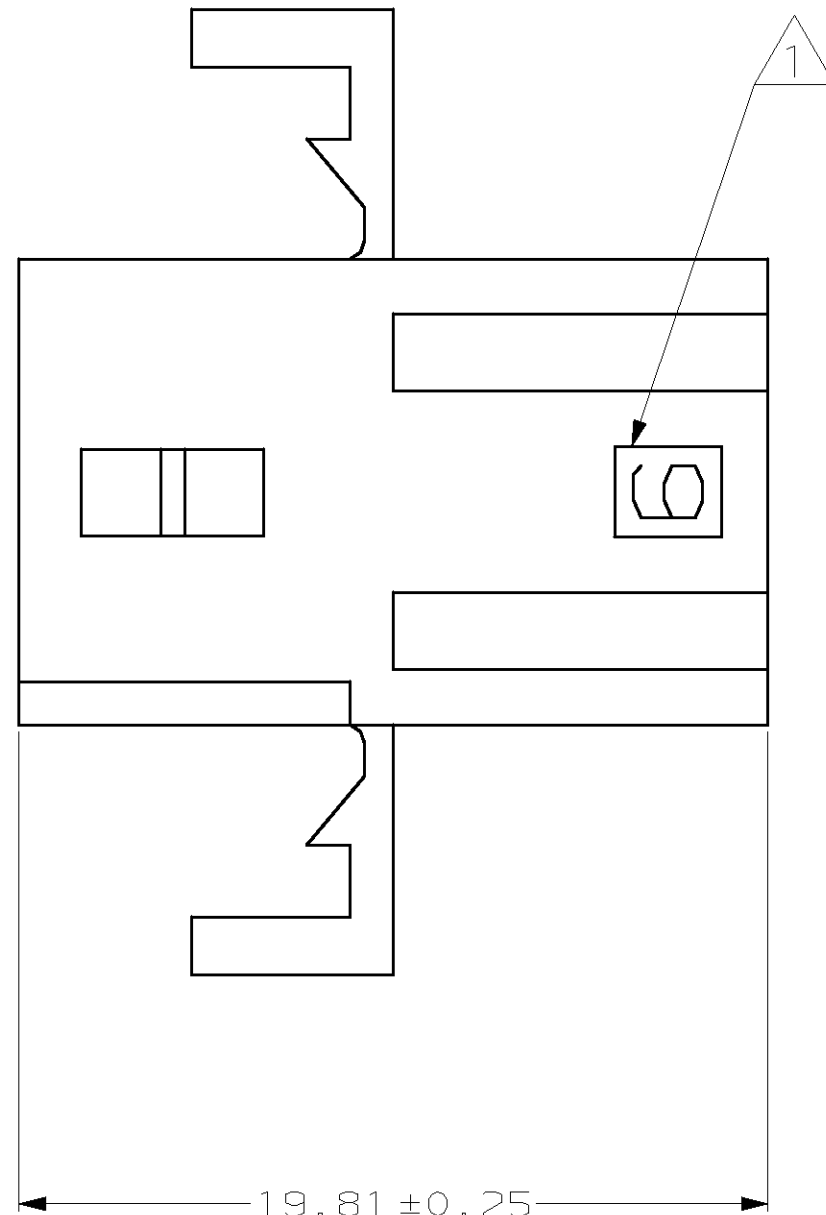
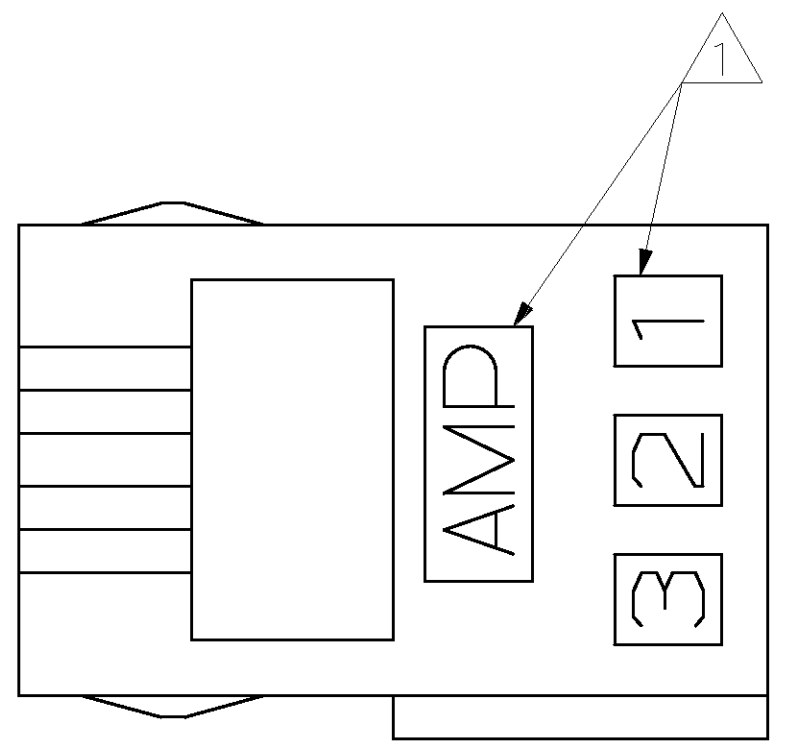


LOC	QTY	REV	DATE	BY	CHK	APPV
CM	53					

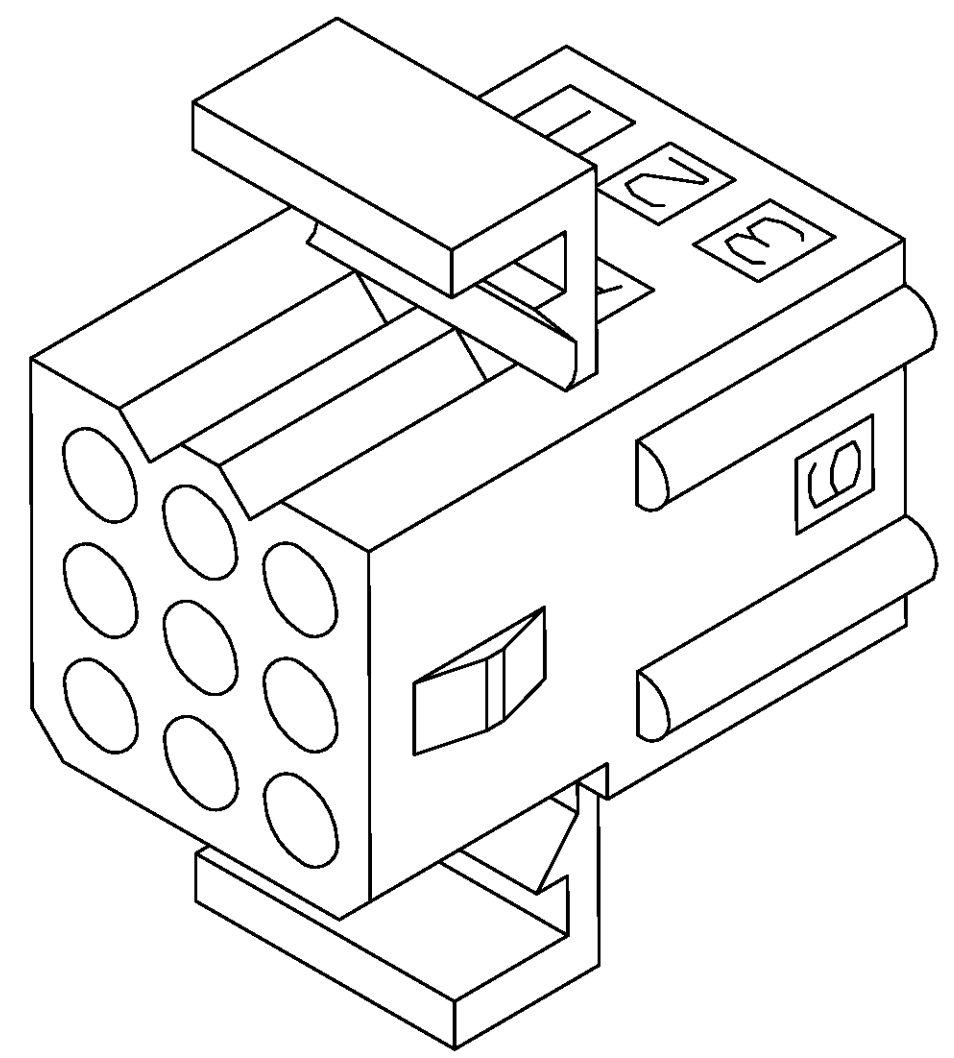
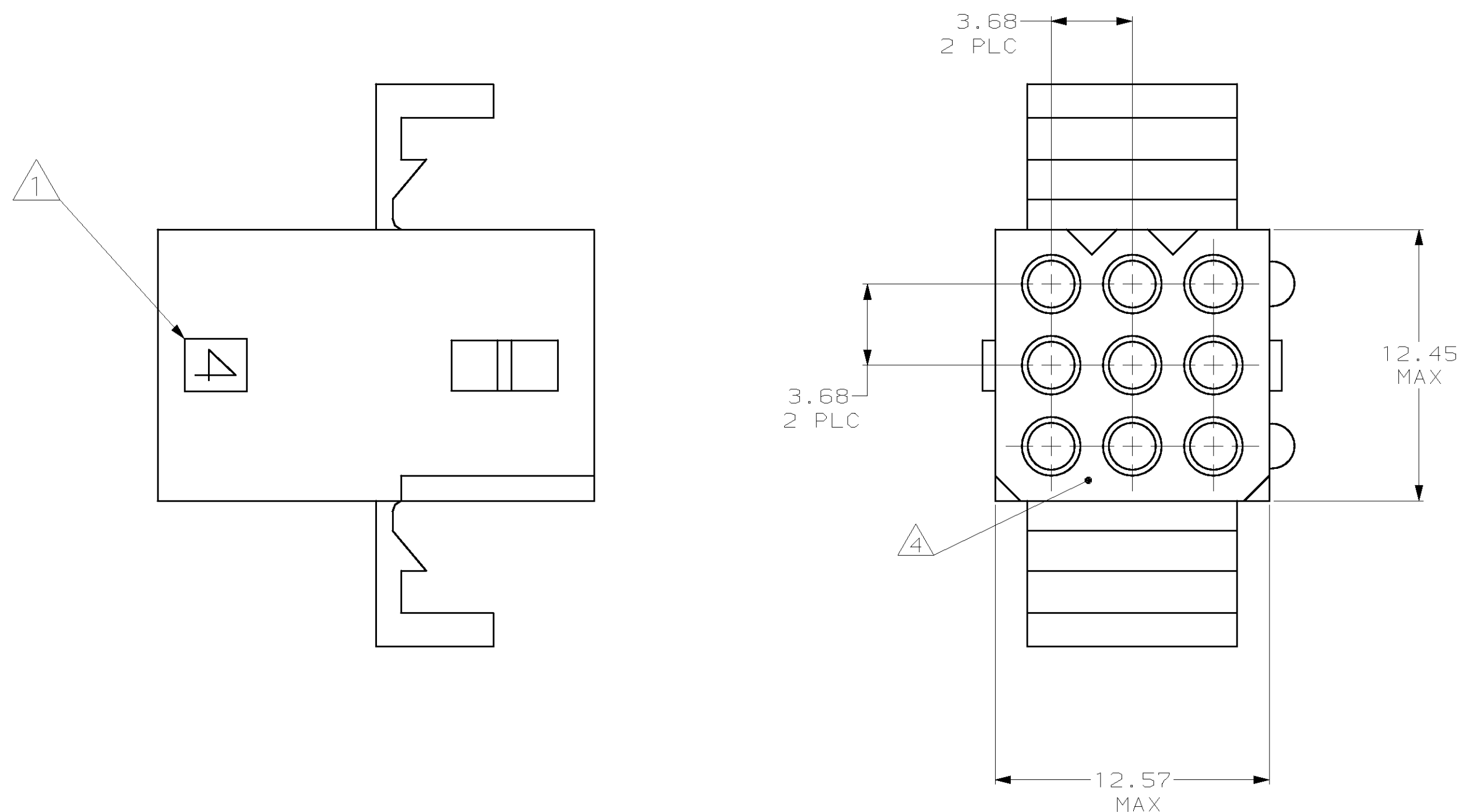
  

REVISIONS						
REV	DESCRIPTION	DATE	BY	CHK	APPV	
C	REV & REDWN PER EC OL30-0214-97	10-20-97	KW			RS

- ① AMP LOGO AND CIRCUIT NUMBERS LOCATED APPROXIMATELY AS SHOWN.
- ② CSA LOGO AND UL LOGO LOCATED ON THIS SURFACE.
- ③ CIRCUIT NUMBERS MAY OR MAY NOT APPEAR.
- ④ AMP LOGO MAY OR MAY NOT APPEAR ON THIS SURFACE.



RECOMMENDED CUT OUT FOR 1.52 MAX THICK PANEL



3-DIMENSIONAL MODEL NTS

MM	IN	MM	IN
3.68	.145	25.53	1.005
1.58	.062	19.81	.780
1.52	.060	16.51	.650
0.38	.015	14.02	.552
0.25	.010	12.57	.495
0.13	.005	12.45	.490

CONVERSION TABLE

**METRIC**

THIS DRAWING IS A CONTROLLED DOCUMENT.

DIMENSIONS:	TOLERANCES UNLESS OTHERWISE SPECIFIED.	DATE	10-20-97
mm	9 PLC ±-	CHK	R. SWING
	1 PLC ±-	DATE	10-20-97
	2 PLC ±0.13	NAME	AMP
	3 PLC ±-	PRODUCT SPEC	RECEPTACLE, PANEL MOUNT, 9 CIRCUIT, .062 PIN AND SOCKET
	4 PLC ±-	APPLICATION SPEC	
	ANGLES ±-	HEIGHT	
MATERIAL	NYLON, JL 94V-2, NATURAL	SCALE	5:1
FINISH		SHEET	1 OF 1
		REV	C

AMP Incorporated  
 Harrisburg, PA 17105-3608

770427-1  
 PART NUMBER

AMP 4805 REV 27.NIN96