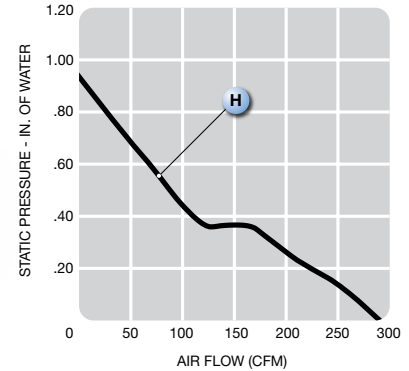
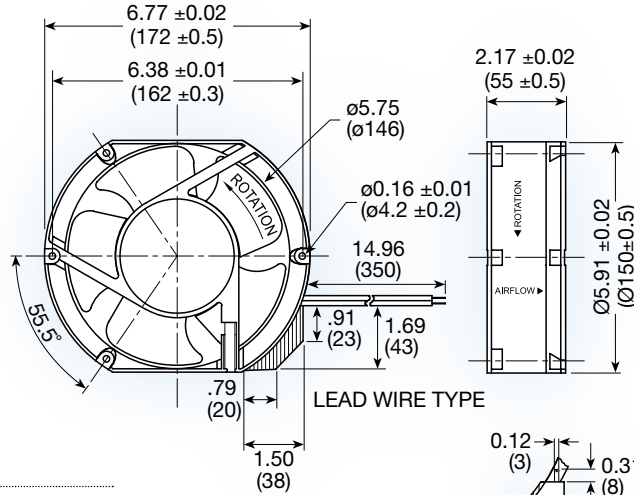


# UF15KC series



**(172 x 150 x 55 mm)**  
6.77 x 5.91 x 2.17 inches

Operating voltage: 115 or 230 VAC

Construction: aluminum die cast frame;  
UL94V-0 PBT impeller

Bearing option: ball bearing

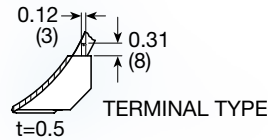
Motor: permanent split capacitor

Air Flow: exhaust over struts

Connection: terminal or 22 AWG lead wire

Protection: thermal

Option: dual voltage 115/130VAC; IP55;  
IP55 + salt fog, tachometer output



Model No.	Rated Voltage	Freq.	Input Power	Rated Cur.	Locked Cur.	Speed	Air Volume		Max. Static Pressure (H <sub>2</sub> O)		Sound Noise	Weight
	V						HZ	W	A	A		
UF15KC12-__H	115	60	38	0.34	0.76	3,400	8.3	293	23	0.90	60	1.05
UF15KC23-__H	230	60	38	0.17	0.38	3,400	8.3	293	23	0.90	60	1.05

