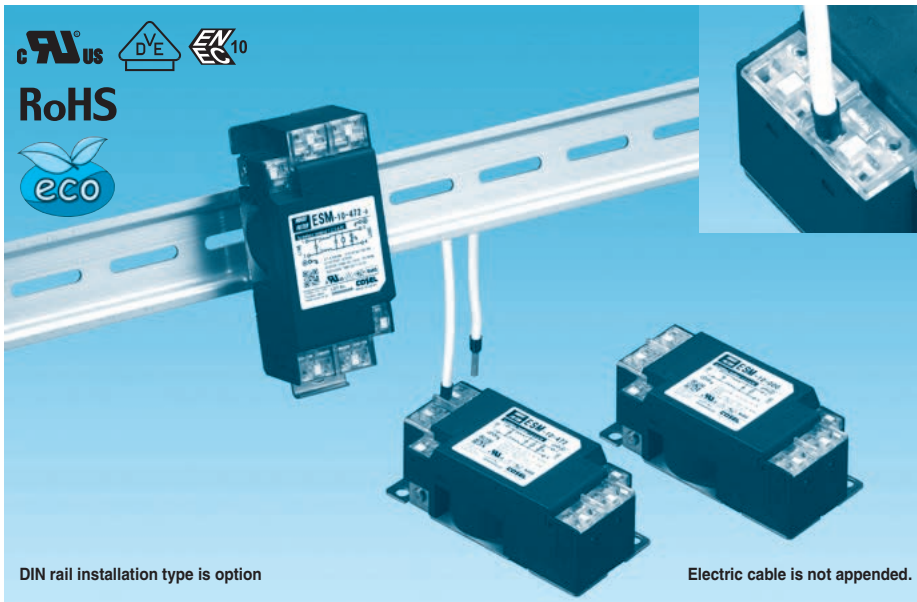


ESM series

ESM -10 -000 -□

① ② ③ ④



- ① Model Name
- ② Rated Current
- ③ Line to ground capacitor code: See table 1.1.

table 1.1 Line to ground capacitor code

Code	Leakage Current (Input 125/250V 60Hz)	Line to ground capacitor (nominal value)
000	5 μ A / 10 μ A max	Not Provided
101	12.5 μ A / 25 μ A max	100pF
221	25 μ A / 50 μ A max	220pF
331	37.5 μ A / 75 μ A max	330pF
471	50 μ A / 100 μ A max	470pF

* When the line to ground capacitor code is different, the attenuation characteristic is different.

- ④ Options
- D: DIN rail installation type

* The dimensions change when the option is set. Refer to External view.

DIN rail installation type is option

Electric cable is not appended.

Features of ESM series

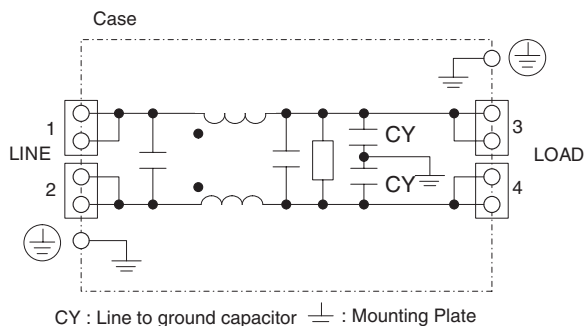
Small, Low leakage current type (1-Stage filter)

- Small EMI/EMC Filters that change input-output terminal and protection earth terminal of EA series into screwless terminal type
- Single Phase 250VAC
- Torque management is unnecessary with screwless

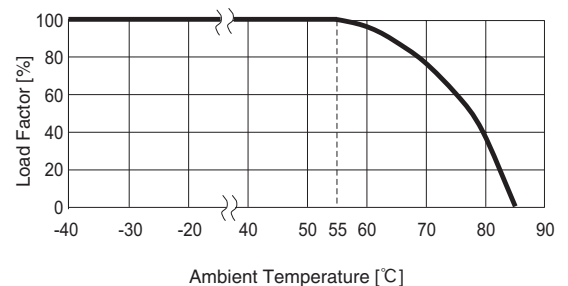
Specifications

No.	Items	ESM-03-000	ESM-06-000	ESM-10-000	ESM-16-000
1	Rated Voltage[V]	AC 1 ϕ 250 / DC250			
2	Rated Current[A]	3	6	10	16
3	Test Voltage (Terminal-Mounting Plate)	2,500 VAC (Cutoff Current = 20mA), 1minute at room temperature and humidity			
4	Isolation Resistance (Terminal-Mounting Plate)	500 VDC 500M Ω min at room temperature and humidity			
5	Leakage current 125/250V 60Hz	5 μ A/10 μ A max			
6	DC resistance	180m Ω max	110m Ω max	40m Ω max	20m Ω max
7	Safety agency approval temperatures	-25 to +85 $^{\circ}$ C (Refer to Derating Curve)			
8	Operating temperature	-40 to +85 $^{\circ}$ C (Refer to Derating Curve)			
9	Operating humidity	20 to 95%RH (Non condensing)			
10	Storage temperature/humidity	-40 to +85 $^{\circ}$ C/20 to 95%RH (Non condensing)			
11	Vibration	10 to 55Hz, 19.6m/s 2 (2G), 3min. Period, 1hour each X, Y and Z axis			
12	Impact	196.1m/s 2 (20G), 11ms Once each X, Y and Z axis			
13	Safety agency approvals	UL1283, CSA C22.2 No.8 (C-UL), DIN EN60939 VDE0565 Teil3-1, ENEC (At only AC input)			
14	Case size (without projection) /Weight	39X30X85 mm [1.54X1.18X3.35 inches] (WXHXD) /170g max (Option : -D refer to external view)			

Circuit Diagram

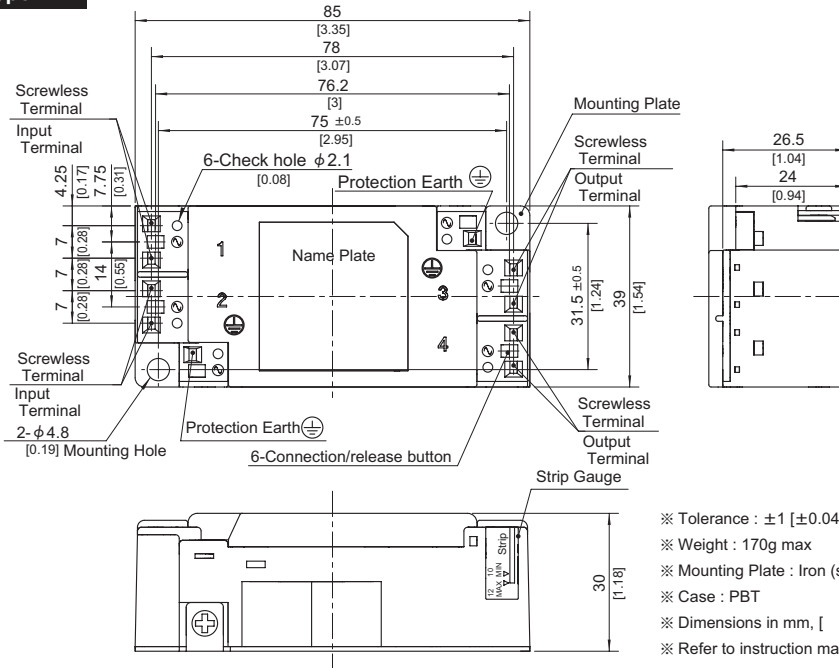


Derating Curve

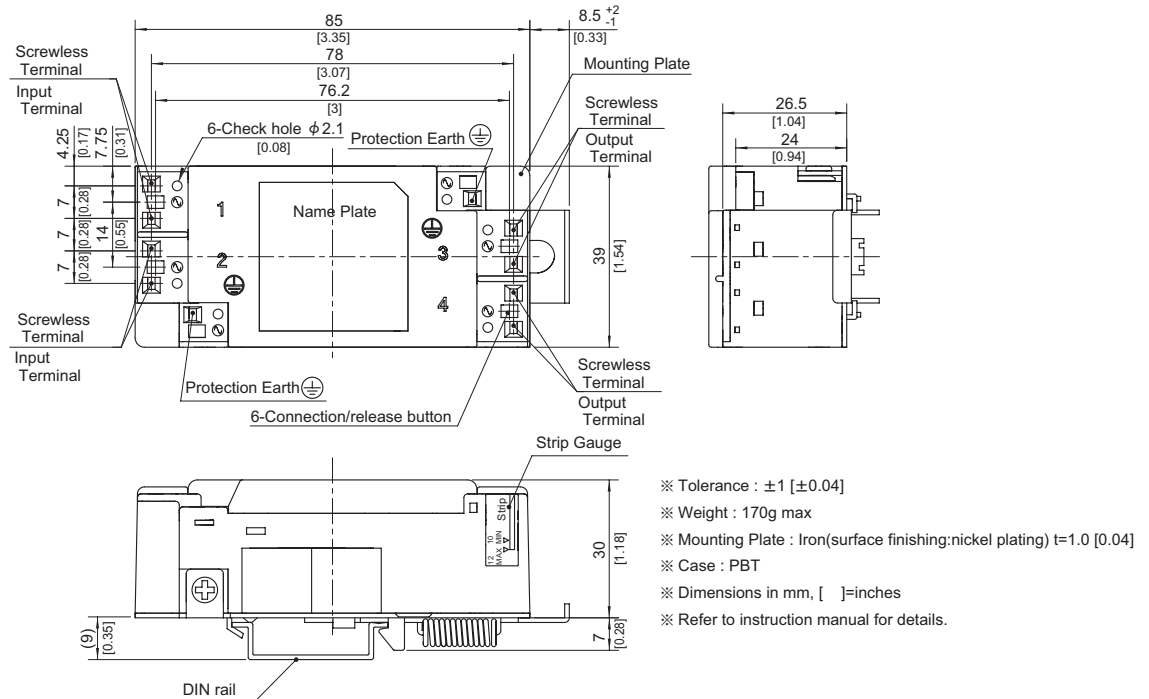


External view

Standard Type



DIN rail installation Type



■Note when installing the EMI/EMC Filter on a DIN rail.

When the EMI/EMC Filter is grounded through the DIN rail, the proper noise attenuation may not be achieved.

Be sure to connect the protection earth (PE) of the EMI/EMC Filter body to the earth.

It can connect the ground to either one only.

