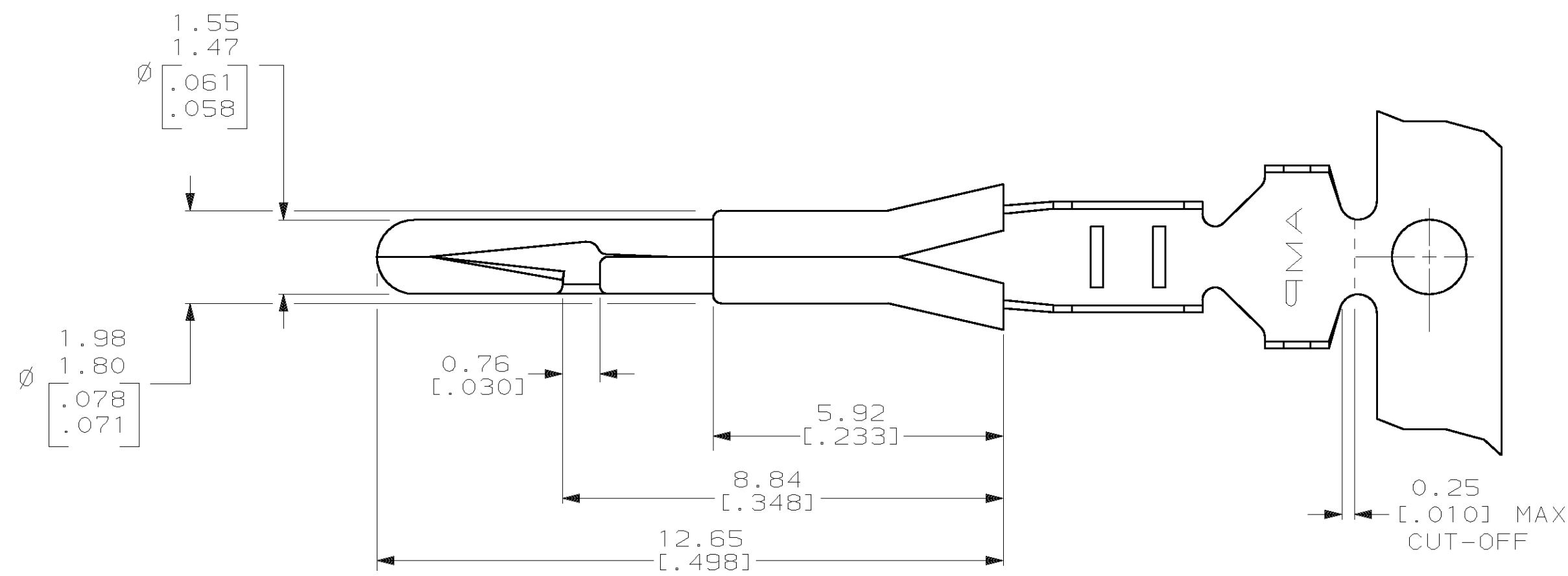
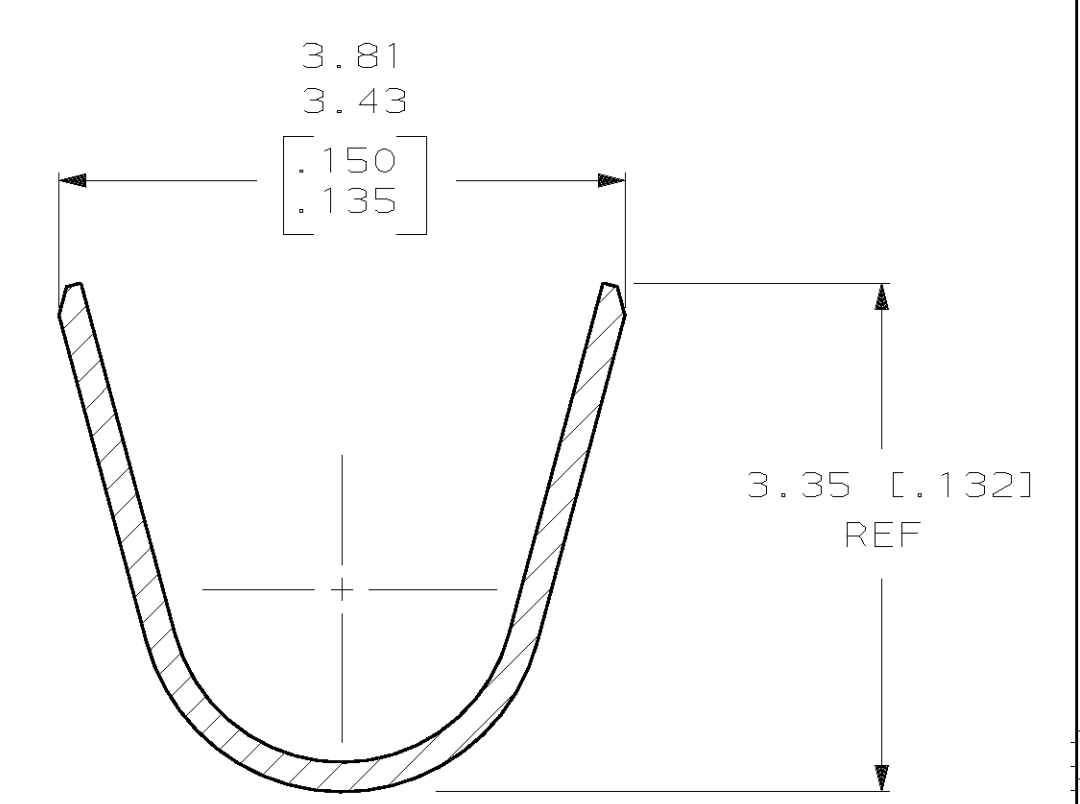
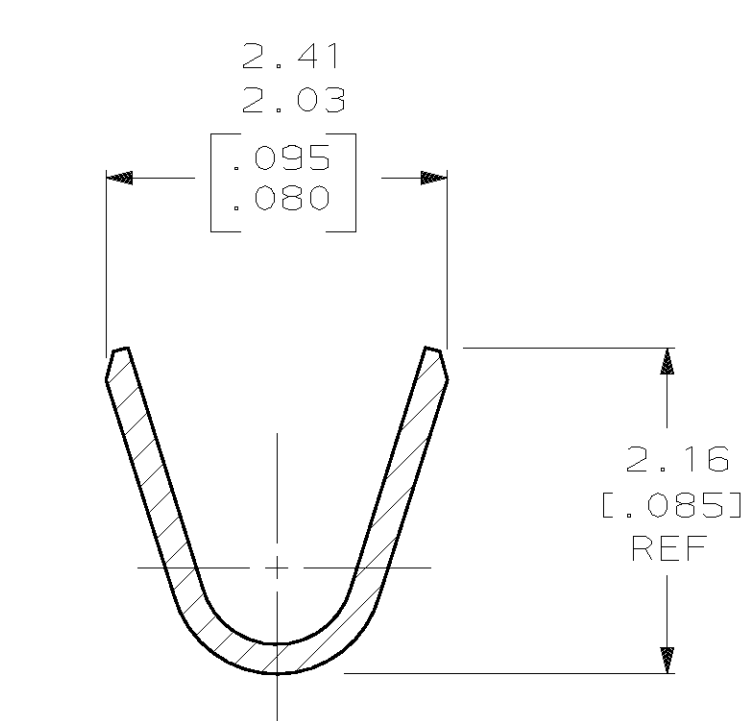
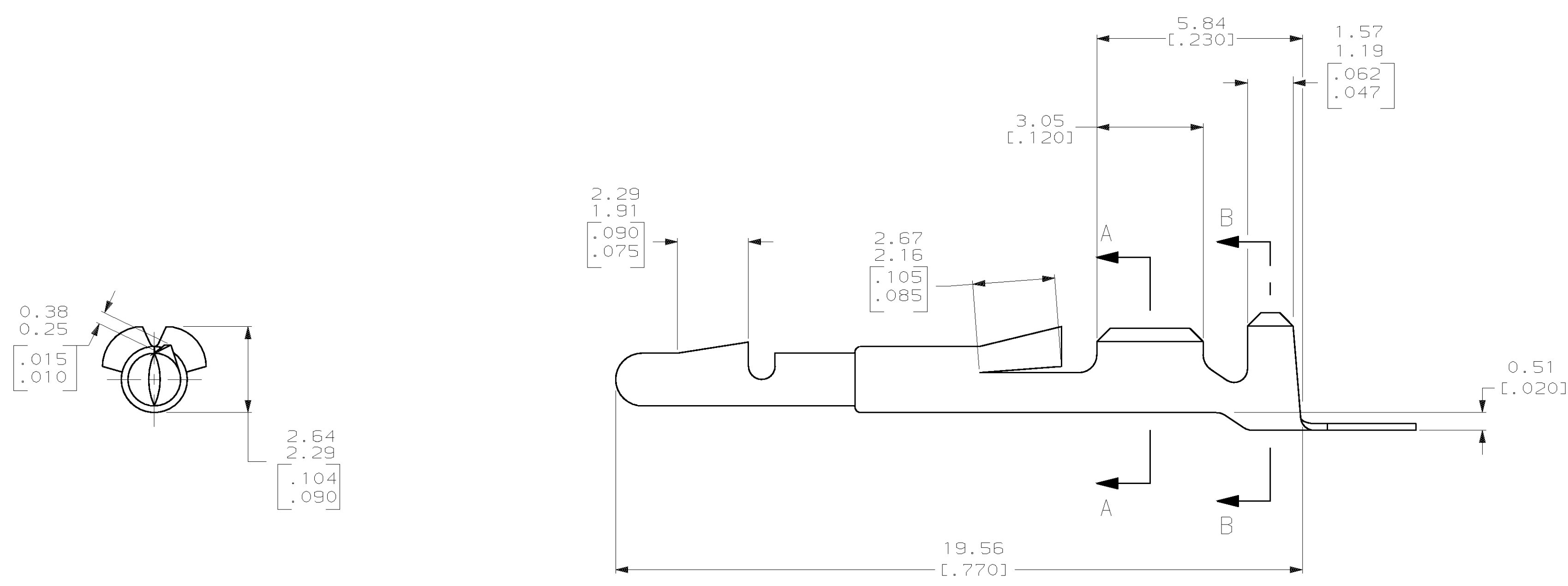


LOC		DIST		P		F		ZONE		LTR		REVISIONS		DATE	APPD
AF	50											V	REV PER 061A-0150-99	MAY99	JR



- CONTINUOUS STRIP ON REELS.
- INSULATION RANGE: \varnothing 1.52-2.79 [.060-.110].
WIRE RANGE: 0.3-0.9 mm² [22-18] AWG.
- DIMENSIONS IN BRACKETS ARE IN INCHES.



61366-1
PART NUMBER

DO NOT SCALE PRINT. UNLESS SPECIFIED DIMENSIONS IN MM [INCHES] TOLERANCES ON: 2 PLC DEC \pm 0.13 (.005) 3 PLC DEC \pm - ANGLES \pm -		DR 6-26-90 B. LEWIS	AMP INCORPORATED Harrisburg, Pa. 17105
MATERIAL 0.20 [.008] BRASS		CHK 6-26-90 R. SWING	
FINISH PRE-TIN		APPD 6-27-90 D. SELF	NAME PIN, .060 DIA, AUTOMOTIVE MATE-N-LOK™
APPLICATION SPEC -		APPD 6-26-90 D. SELF	SIZE D
WEIGHT -		PRODUCT SPEC -	FSCM NO 00779
		SCALE 10:1	DRAWING NO 61366
			SHEET 1 OF 1

METRIC