

1 | 2

3

4

PRODUCT NO.

57496

NOTE: 1. PRINT IS FOR ASSEMBLY REFERENCE ONLY.
 2. P/N'S WITH SUFFIX "LF" ARE LEAD FREE P/N'S
 3. HOUSING COLOR OF CABLE ASSEMBLY KIT
 -P/N 57496-101/101LF: WHITE
 -P/N 57496-102/102LF: BLACK
 HOUSING: HIGH TEMP RESIN WITH UL 94V-0
 4. CONTACT
 MATERIAL : HIGH STRENGTH COPPER ALLOY
 FINISH: 30u" Au MIN. OVER 50u" NICKEL UNDERPLATE
 SHIELD:
 MATERIAL : HIGH STRENGTH COPPER ALLOY
 FINISH: 100u" MIN. T/L OVER 50u" NICKEL UNDERPLATE MIN.
 100u" MIN. PURE TIN OVER 50u" NICKEL UNDERPLATE MIN.
 FOR LEAD FREE P/N'S
 5. APPLICABLE CABLE SIZE : Ø4.0 TO Ø6.5 mm
 6. PACKAGING : EACH PACK IN SPECIFIC PLASTIC BAG,
 PLUG: 300 PCS/BAG
 MATING SHIELD: 300 PCS/BAG
 REAR SHIELD: 300 PCS/BAG
 7. PACKING STANDARD GS-14-920 WILL BE APPLIED FOR LEAD FREE P/N'S
 8. FOR LEAD FREE P/N, THE PRODUCT MEET EUROPEAN UNION DIRECTIVES AND OTHER COUNTRY REGULATION AS DESCRIBED IN GS-22-008
 9. FOR LEAD FREE P/N, THE HOUSING WILL WITHSTAND EXPOSURE TO 260°C PEAK TEMPERATURE FOR 40 SECONDS IN A CONVECTION, INFRO-RED OR VAPOR PHASE REFLOW OVEN.
 10. INSULATION MYLAR MUST COVER WITH ALL TERMINALS AND SOLDERED POINTS ON BOTH TWO SIDES (ONE PIECE ON EACH SIDE) AFTER SOLDERING AND BEFORE ASSEMBLE SHIELDS. THE RECOMMENDED DIMENSION OF MYLAR IS 10.00+/-0.10mm WIDTH , 6.00+/-0.10mm LENGTH, 0.10+/-0.03mm THICKNESS, AND IT MUST BE OF HIGH TEMPERATURE RESISTANCE.

mat'l. code		NOTE 1 & 2		tolerances unless otherwise specified		CUSTOMER COPY		FCI www.fciconnect.com	
ltr	ecn no	dr	date	linear	.X	±0.30		projection	title
A	T10382	WL	12/27/01		.XX	±0.20			
B	T20235	WL	07/29/02		.XXX	±0.10			
C	N05-0024	PH	01/31/05	angles			USB+POWER		
D	N08-0122	Bobby Si	06/16/08	dr	WENDY CHEN	10/16/01	product family		
				engr	R Y LIU	10/16/01	USB		
				chr	R Y LIU	10/16/01	code		
				appd	JENN TSAO	10/16/01	TWN		
sheet index		revision sheet		scale		2:1		A4	
				size		57496		sheet 1 of 2	

form no. 7530-001-103

1 | 2

3

4

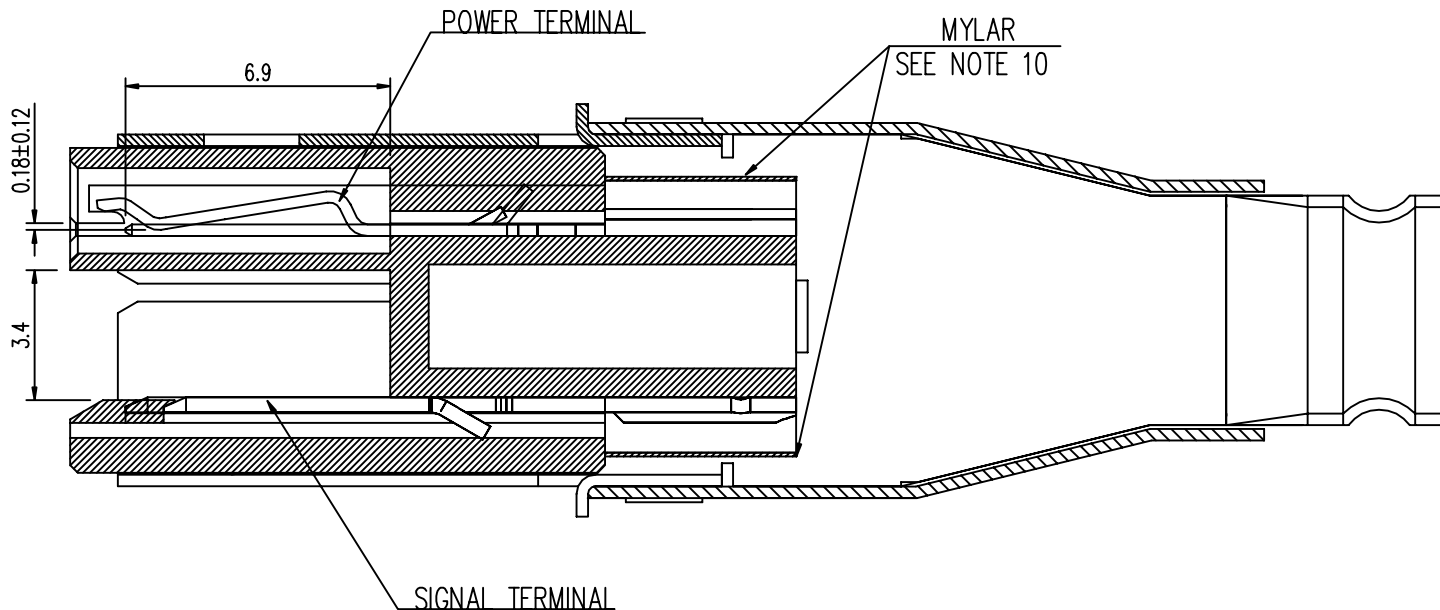
PDM: Rev:D

STATUS: Released
 cage code: 22526
 Date: Jul 28, 2010

Tous droits strictement reserves. Reproduction ou communication a des tiers interdite sous quelque forme que ce soit sans autorisation écrite du propriétaire. Propriete de ©FCI ELECTRONICS. Droits de reproduction FCI ELECTRONICS INC.

All rights strictly reserved. Reproduction or issue to third parties in any form whatever is not permitted without written authority from the proprietor. Property of ©FCI ELECTRONICS Copyright FCI ELECTRONICS INC.

PRODUCT NO.
57496



SECTION A-A

Tous droits strictement reserves. Reproduction ou communication a des tiers interdite sous quelque forme que ce soit sans autorisation ecrite du proprietaire. Propriete de © FCI ELECTRONICS. Droits de reproduction FCI ELECTRONICS INC.

All rights strictly reserved. Reproduction or issue to third parties in any form whatever is not permitted without written authority from the proprietor. Property of © FCI ELECTRONICS Copyright FCI ELECTRONICS INC.



mat'l. code NOTE 1 & 2				tolerances unless otherwise specified			CUSTOMER COPY		 www.fciconnect.com	
ltr	ecn no	dr	date	linear	.X ±0.30			projection	title	
D					.XX ±0.20				USB+POWER	
					.XXX±0.10					
				angles				 mm	product family USB	
				dr	WENDY CHEN	10/16/01	size		code	
				enr	R Y LIU	10/16/01	dwg no		TWN	
				chr	R Y LIU	10/16/01	scale	A4		sheet
				appd	JENN TSAO	10/16/01	2:1	57496		2 of
sheet	revision									
index	sheet									