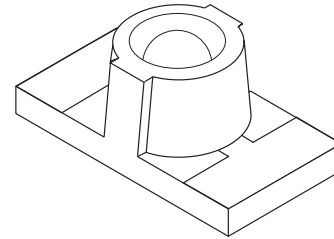
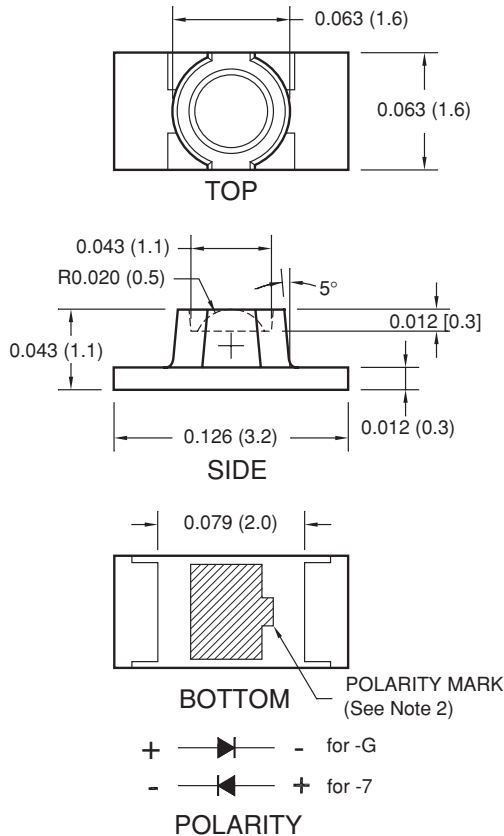


QTLP653C-7 AlGaAs Red

QTLP653C-G Green

PACKAGE DIMENSIONS



NOTE:

1. Dimensions for all drawings are in inches (mm).
2. Cathode for -G. Anode for -7.

APPLICATIONS

- Keypad backlighting
- Push-button backlighting

DESCRIPTION

These surface mount chip LEDs are designed to fit industry standard footprint. They are reverse mountable and designed to emit light through a small cut-out hole in the PC board.

FEATURES

- Small footprint - 3.2(L) X 1.6(W) X 1.1(H) mm
- Wide viewing angle of 130°
- Water clear optics
- Moisture-proof packaging
- Available in 0.315" (8mm) width tape on 7" (178mm) diameter reel; 2,000 units per reel

SURFACE MOUNT LED LAMP

STANDARD BRIGHT 1206 (Reverse Mount with Inner Lens)

QTLP653C-7 AlGaAs Red

QTLP653C-G Green

ABSOLUTE MAXIMUM RATINGS ($T_A = 25^\circ\text{C}$ Unless otherwise specified)

Parameter	Symbol	QTLP653C		Units
		-7	-G	
Continuous Forward Current	I_F	30	30	mA
Peak Forward Current ($f = 1.0 \text{ KHz}$, Duty Factor = 1/10)	I_{FM}	180	100	mA
Reverse Voltage	V_R	5	5	V
Power Dissipation	P_D	72	84	mW
Operating Temperature	T_{OPR}	-40 to +85		$^\circ\text{C}$
Storage Temperature	T_{STG}	-40 to +90		$^\circ\text{C}$
Lead Soldering Time	T_{SOL}	260 for 5 sec		$^\circ\text{C}$

ELECTRICAL / OPTICAL CHARACTERISTICS ($T_A = 25^\circ\text{C}$)

Part Number	Symbol	QTLP653C		Condition
		-7	-G	
Luminous Intensity (mcd)	I_V	25	15	$I_F = 20\text{mA}$
Minimum				
Typical		50	35	
Forward Voltage (V)	V_F	2.4	2.8	$I_F = 20\text{mA}$
Maximum				
Typical		1.9	2.1	
Wavelength (nm)	λ_P	660	565	$I_F = 20\text{mA}$
Peak				
Dominant	λ_D	645	570	
Spectral Line Half Width (nm)	$\Delta\lambda$	20	30	$I_F = 20\text{mA}$
Viewing Angle ($^\circ$)	$2\theta_{1/2}$	130	130	$I_F = 20\text{mA}$

QTLP653C-7 AlGaAs Red

QTLP653C-G Green

TYPICAL PERFORMANCE CURVES

Fig. 1 Forward Current vs. Forward Voltage

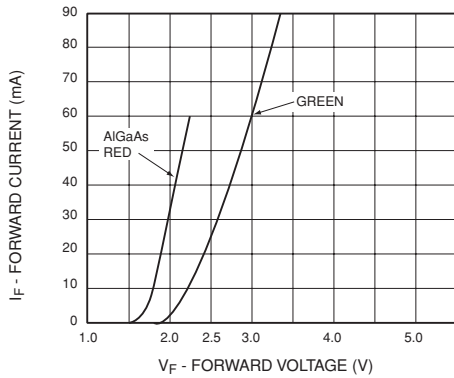


Fig. 2 Relative Luminous Intensity vs. DC Forward Current

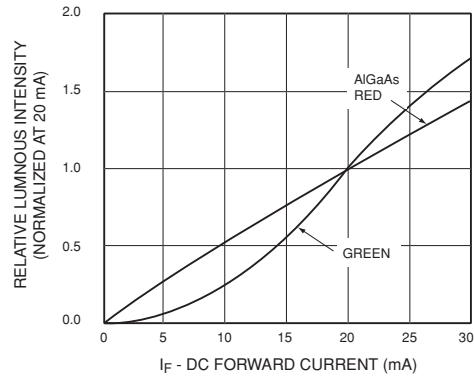


Fig. 3 Relative Intensity vs. Peak Wavelength

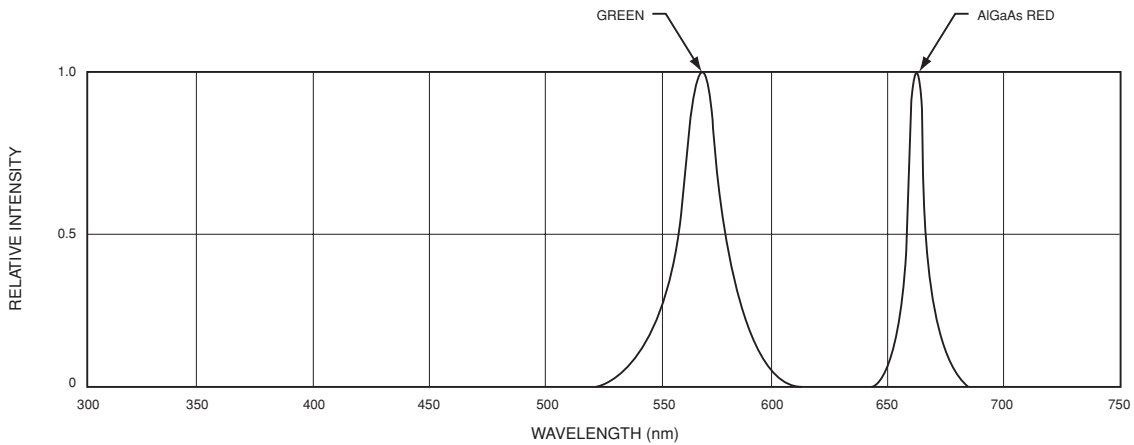


Fig.4 Radiation Diagram

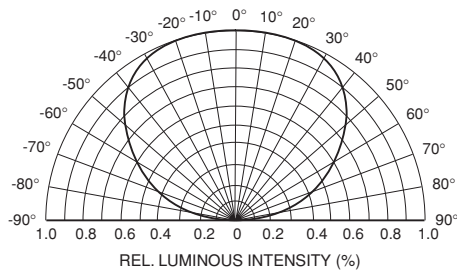
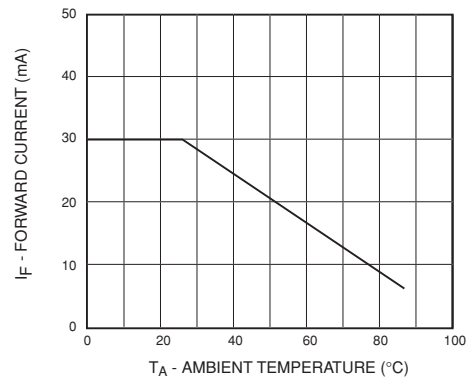


Fig.5 Maximum Forward Current vs. Ambient Temperature



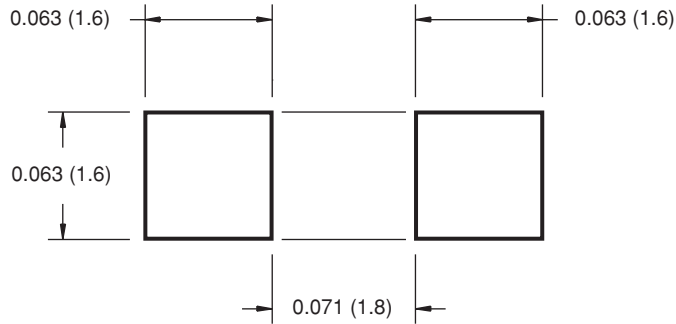
SURFACE MOUNT LED LAMP

STANDARD BRIGHT 1206 (Reverse Mount with Inner Lens)

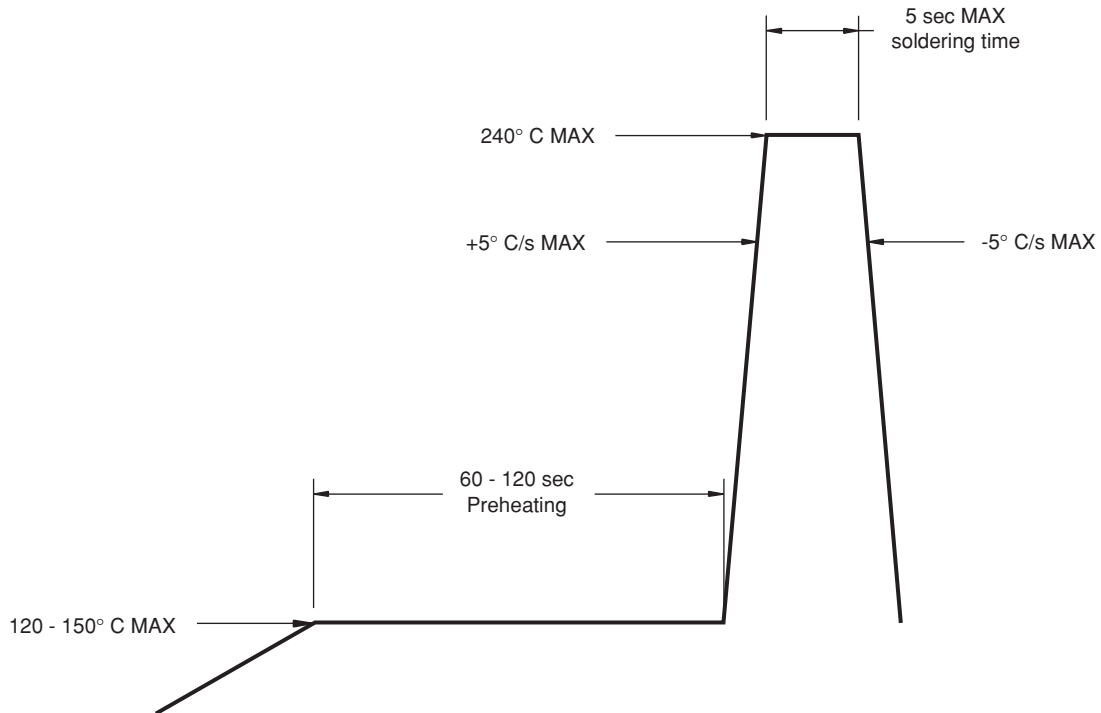
QTLP653C-7 AlGaAs Red

QTLP653C-G Green

RECOMMENDED PRINTED CIRCUIT BOARD PATTERN



RECOMMENDED IR REFLOW SOLDERING PROFILE



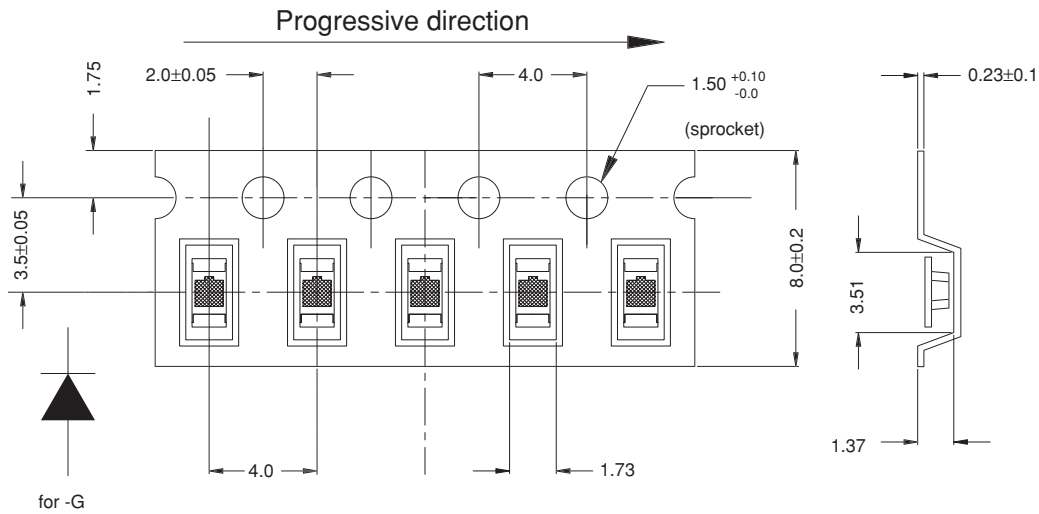
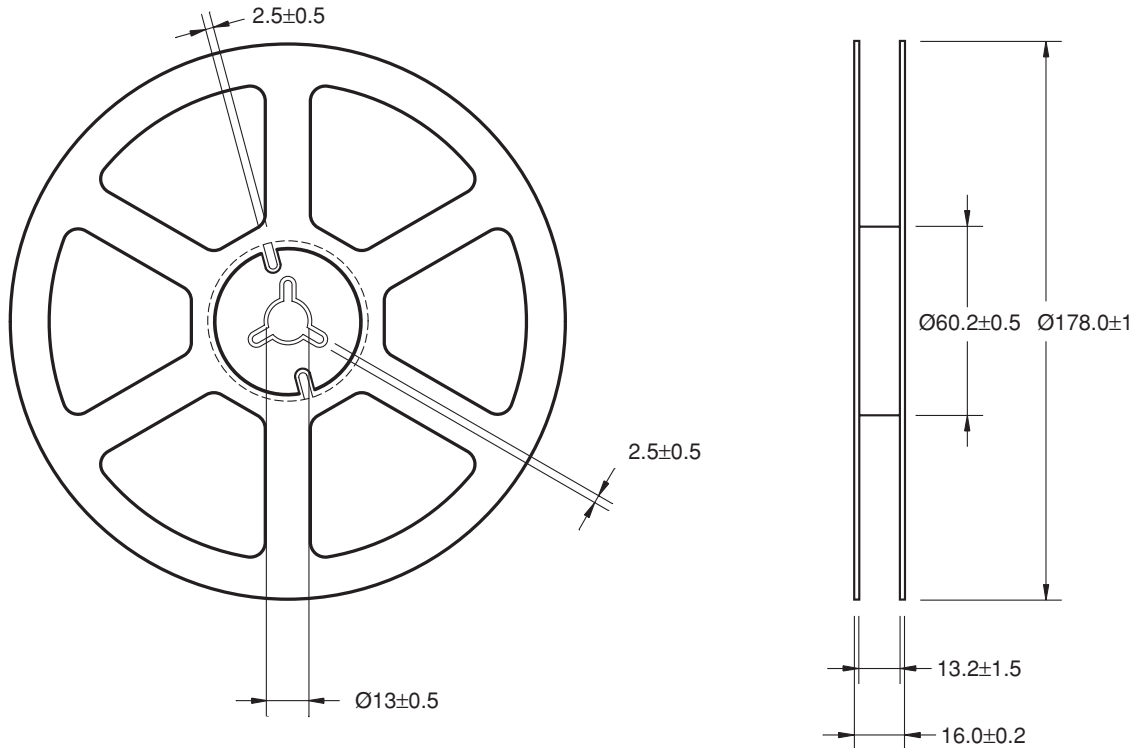
SURFACE MOUNT LED LAMP

STANDARD BRIGHT 1206 (Reverse Mount with Inner Lens)

QTLP653C-7 AlGaAs Red

QTLP653C-G Green

TAPE AND REEL DIMENSIONS



Polarity

Dimensional tolerance is $\pm 0.1\text{mm}$ unless otherwise specified

Angle: ± 0.5

Unit: mm

Polarity marks on the sprocket side.

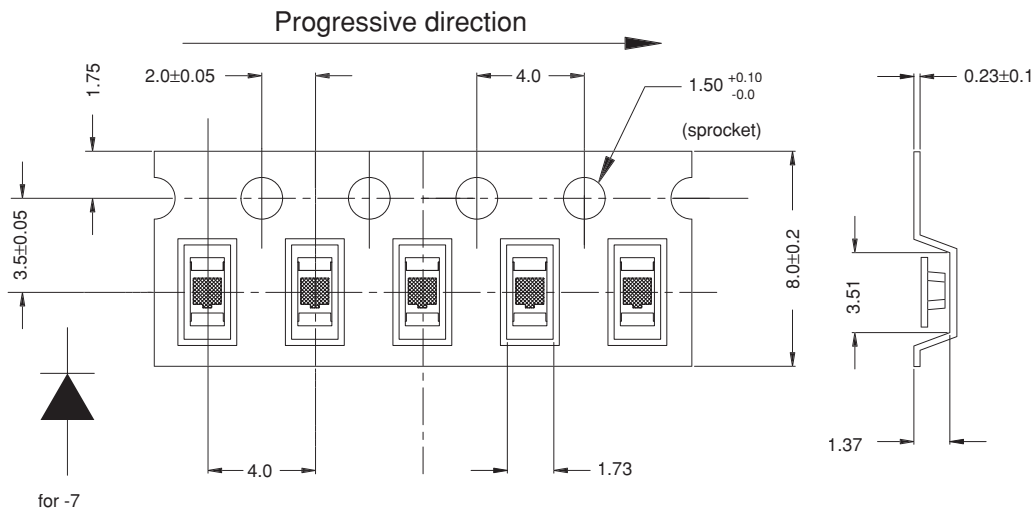
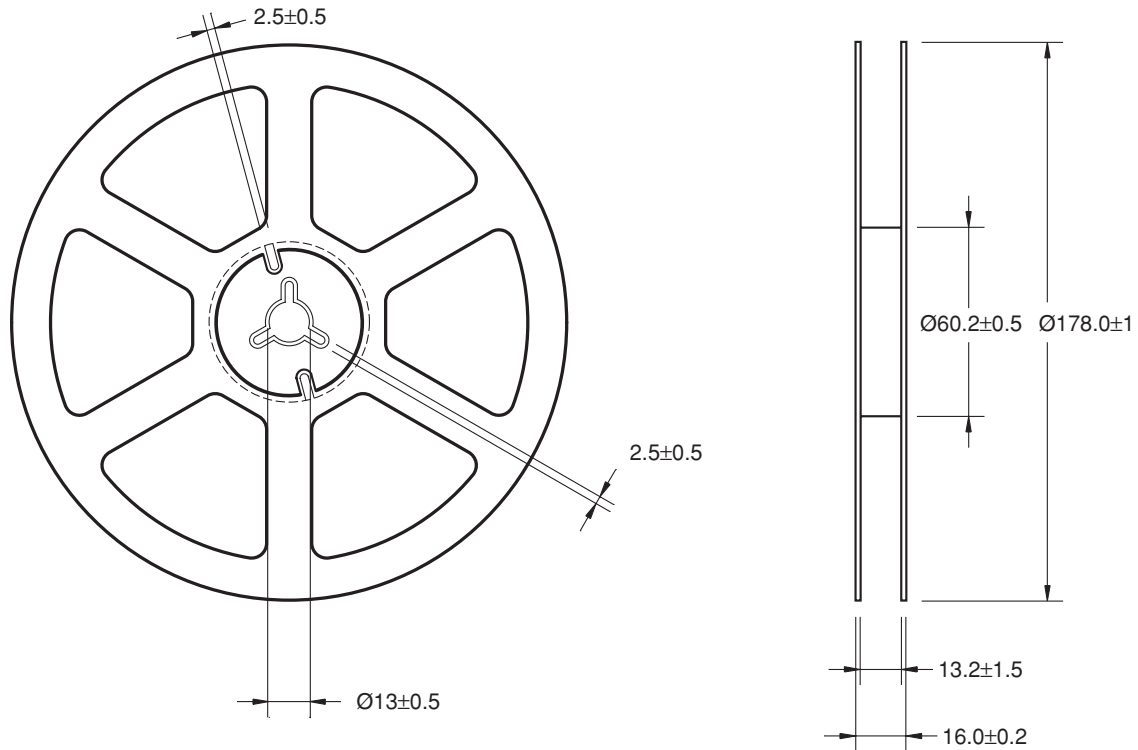
SURFACE MOUNT LED LAMP

STANDARD BRIGHT 1206 (Reverse Mount with Inner Lens)

QTLP653C-7 AlGaAs Red

QTLP653C-G Green

TAPE AND REEL DIMENSIONS



Polarity

Dimensional tolerance is ± 0.1 mm unless otherwise specified

Angle: ± 0.5

Unit: mm

Polarity marks on the opposite sprocket side.

SURFACE MOUNT LED LAMP

STANDARD BRIGHT 1206

(Reverse Mount with Inner Lens)

QTLP653C-7 AlGaAs Red

QTLP653C-G Green

DISCLAIMER

FAIRCHILD SEMICONDUCTOR RESERVES THE RIGHT TO MAKE CHANGES WITHOUT FURTHER NOTICE TO ANY PRODUCTS HEREIN TO IMPROVE RELIABILITY, FUNCTION OR DESIGN. FAIRCHILD DOES NOT ASSUME ANY LIABILITY ARISING OUT OF THE APPLICATION OR USE OF ANY PRODUCT OR CIRCUIT DESCRIBED HEREIN; NEITHER DOES IT CONVEY ANY LICENSE UNDER ITS PATENT RIGHTS, NOR THE RIGHTS OF OTHERS.

LIFE SUPPORT POLICY

FAIRCHILD'S PRODUCTS ARE NOT AUTHORIZED FOR USE AS CRITICAL COMPONENTS IN LIFE SUPPORT DEVICES OR SYSTEMS WITHOUT THE EXPRESS WRITTEN APPROVAL OF THE PRESIDENT OF FAIRCHILD SEMICONDUCTOR CORPORATION. As used herein:

1. Life support devices or systems are devices or systems which, (a) are intended for surgical implant into the body, or (b) support or sustain life, and (c) whose failure to perform when properly used in accordance with instructions for use provided in the labeling, can be reasonably expected to result in a significant injury of the user.
2. A critical component in any component of a life support device or system whose failure to perform can be reasonably expected to cause the failure of the life support device or system, or to affect its safety or effectiveness.