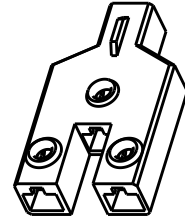
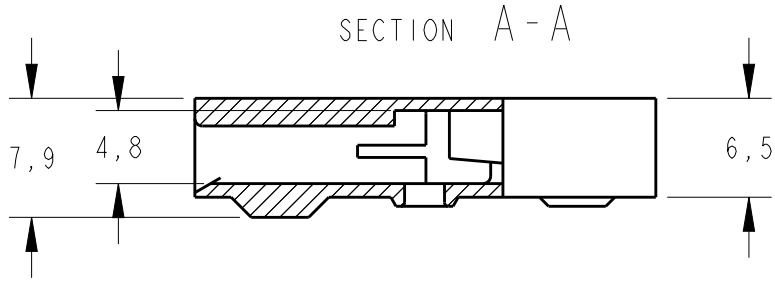
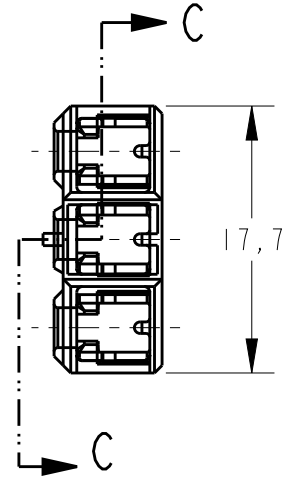
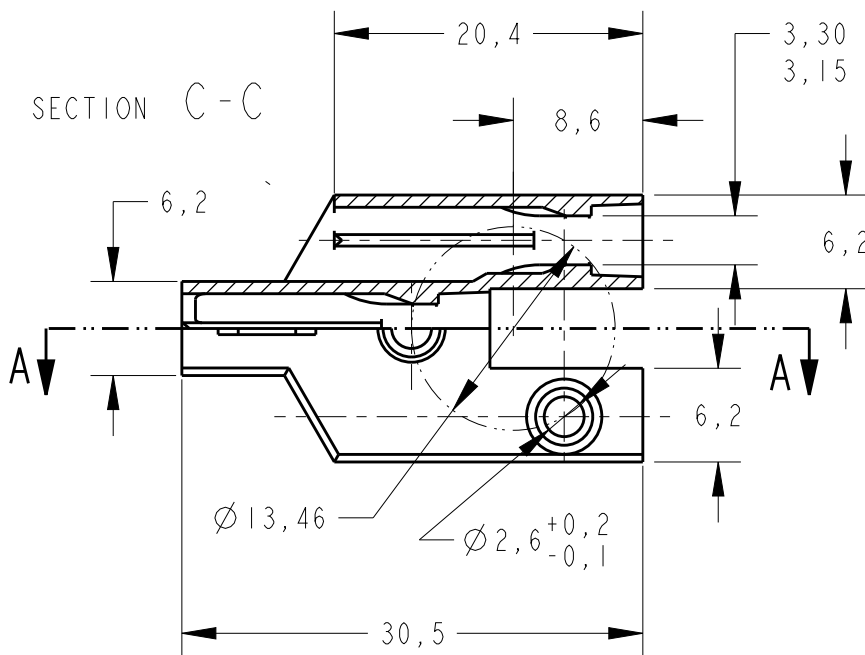


REVISIONS					
P	LTR	DESCRIPTION	DATE	DWN	APVD
	HI	REDRAWN BY CAD ECO-15-009410	24JUN2015	HC	WLS



SCALE 1:1



20
RELEASED FOR PUBLICATION

ALL RIGHTS RESERVED.


BY -

© COPYRIGHT 20

NATURAL	POLIESTER-PBT-VALOX 310	880631-5
FINISH	MATERIAL	PART NUMBER

DIMENSIONS:	
mm	
TOLERANCES UNLESS OTHERWISE SPECIFIED:	
0 PLC	±-
1 PLC	±0,3
2 PLC	±-
3 PLC	±-
4 PLC	±-
ANGLES	±1°

DWN	24JUN2015
H.C. CANTERI	
CHK	24JUN2015
W.L. STEFANI	
APVD	-
PRODUCT SPEC	108-2008
APPLICATION SPEC	114-2019
WEIGHT	-

MATERIAL	-	FINISH	-
 TE Connectivity		NAME	
		CLUSTER BLOCK HSG. 2,29 (.090)DIA.	
SIZE	CAGE CODE	DRAWING NO	RESTRICTED TO
A4	-	C=880631	-

Customer Drawing	SCALE	2/1	SHEET	1	OF	1	REV	HI
------------------	-------	-----	-------	---	----	---	-----	----