

CAD: MKII STD DISK: A: 78S1PL2

LINEARITY	RT=501 FILM ELEMENT 170-43-80 FILM MATERIAL 21-2-0410	RT=102 FILM ELEMENT 170-43-81 FILM MATERIAL 21-2-0820	RT=202 FILM ELEMENT 170-43-82 FILM MATERIAL 21-2-1640	RT=502 FILM ELEMENT 170-43-83 FILM MATERIAL 21-2-4110	RT=103 FILM ELEMENT 170-43-84 FILM MATERIAL 21-2-8220	RT=203 FILM ELEMENT 170-43-85 FILM MATERIAL 21-2-1651	RT=503 FILM ELEMENT 170-43-86 FILM MATERIAL 21-2-4111	RT=104 FILM ELEMENT 170-43-87 FILM MATERIAL 21-2-8221
A ±1.0%	2-802-5590 A	2-802-6636 A	2-802-7864 N/C	2-802-6136 A	2-802-6821 A	2-802-7867 N/C	2-802-6458 A	2-802-7872 N/C
B ±0.5%	2-802-7862 N/C	2-802-5501 A	2-802-7865 N/C	2-802-5504 A	2-802-5507 B	2-802-7868 N/C	2-802-7670 N/C	2-802-7873 N/C
C ±0.25%	2-802-7863 N/C	2-802-6084 A	2-802-7866 N/C	2-802-5505 A	2-802-6050 A	2-802-7869 N/C	2-802-7871 N/C	2-802-7874 N/C
D ±0.10%	2-802-8181 N/C	2-802-8182 N/C	2-802-8183 N/C	2-802-8184 N/C	2-802-8185 N/C	2-802-8186 N/C	2-802-8187 N/C	2-802-8188 N/C

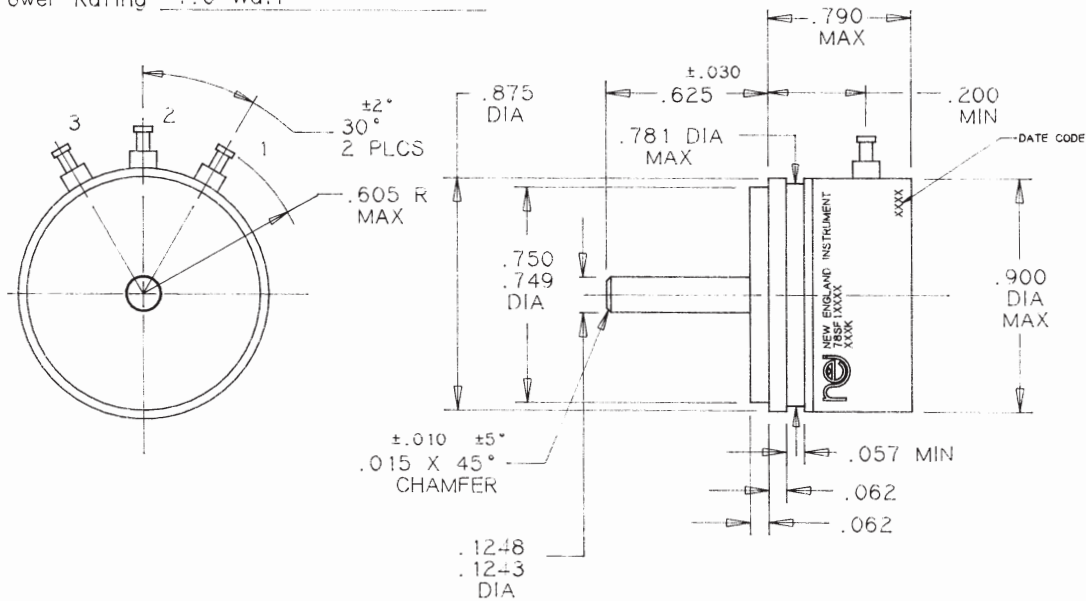
SPECIFICATIONS

ELECTRICAL PARAMETERS

Resistance ABOVE ±10%
 Independent Linearity A=±1.0% B=±0.5% C=±0.25% D=±0.10%
 Theoretical Electrical Angle 340°
 Output Smoothness 0.125%
 per MIL-R-39023
 Dielectric Withstanding Voltage 1000 VRMS
 Insulation Resistance 1000 Megohms Min @ 500 VDC
 End Voltage 1.5% Max.
 Power Rating 1.0 Watt

MECHANICAL PARAMETERS

Mechanical Travel 360° Continuous
 Starting Torque 0.5 in-oz Max
 (over Theoretical Electrical Angle)
 End Play 0.0005 Min / 0.005 Max



REVISIONS							
LTR	ECN	DATE	APP	LTR	ECN	DATE	APP
SEE SHEET ONE							
				 NEW ENGLAND INSTRUMENT COMPANY 16 AIRPORT DRIVE, HOPEDALE, MA 01747			
SIZE B		CODE IDENT. NO. 08815		PRODUCT PARTS LIST TYPE NUMBER 78SF1			
UNLESS OTHERWISE SPECIFIED DIMENSIONS ARE IN INCHES				PARTS LIST NUMBER 78SF1			
				TOLERANCES: FRACTIONS ±1/64 DECIMALS ±.005 ANGLES ±2°		REV. /	

78SF1 2/2