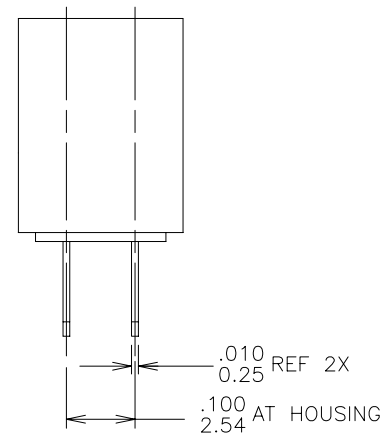
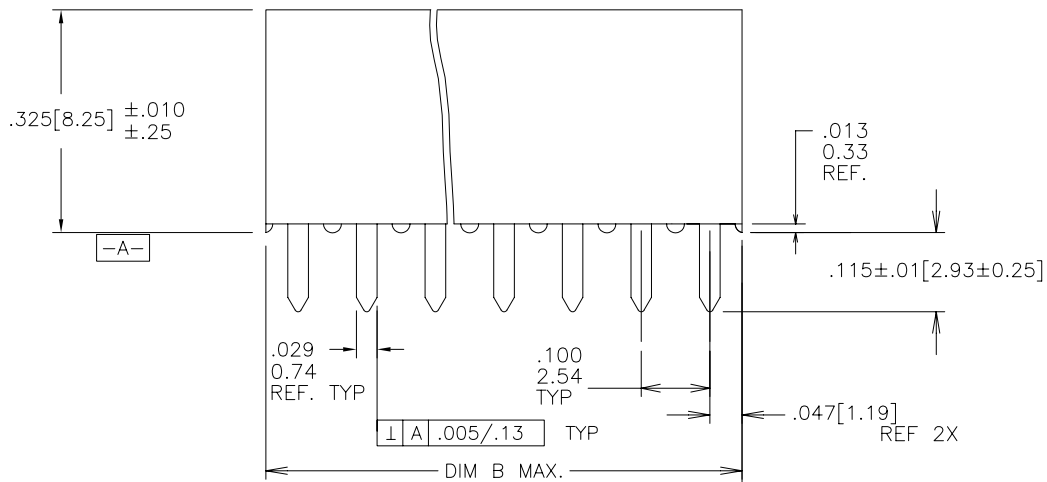
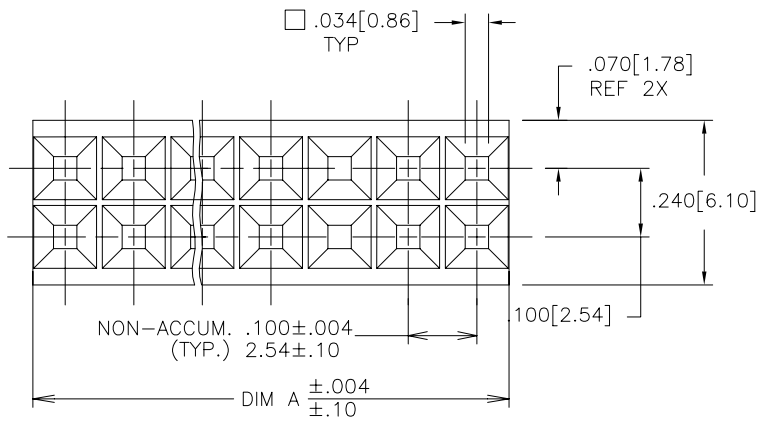


PRODUCT NO.
SEE TABLE



mat'l. code		surface		tolerance		projection		product family	
NOTES 1 & 2		ISO 1302 ✓		ISO 406 ISO 1101				CARD CONN	
ltr	ecn	no	dr	date		tolerances unless otherwise specified		title	
E	V70792	JM	10/26/97	10/11/05		.XX±.01/.X±.3		2X.100/2.54 VERT. CARD CONN.	
F	M05-0216	ERE	10/11/05	angles	linear	.XXX±.0.005/.XX±.13		BLACK POLYESTER 30μ"/.76μ Au	
G	M06-0210	MHT	6/03/06	0'±2'		.XXXX±.0020/.XXX±.051		scale 4:1	
H	M07-0143	ERE	03/03/07	dr	J.MUSTARD	10/26/97		dwg no sheet 1 of 3 size	
				enr	H.SUNDY	10/26/97		68607 A3	
				chr	H.SUNDY	10/26/97			
				appd	H.SUNDY	10/26/97		type Product Customer Drawing	
sheet	revision	H	H	H					
index	sheet	1	2	3					



FCIconnect.com

Copyright FCI

PRODUCT NO.

SEE TABLE

NOTES:

- ① HOUSING MATERIAL: FILLED POLYESTER, FLAME RETARDANT PER UL 94V-0. COLOR: BLACK
- ② TERMINAL MATERIAL:
 BODY: BRASS
 SPRING: BeCu HEAT TREATED
 BODY PLATING: 30u"/0.76u Au over
 50u"/1.27u Ni IN CONTACT AREA
 100u"/2.54u Sn (NOTE 8) over
 50u"/1.27u Ni ON SOLDER TAIL.
 SPRING PLATING: GOLD FLASH
- ③ MARK FCI PART NUMBER AND DATE CODE LEGIBLE ON TUBE LABEL.
- 4. APPLICATION INFORMATION:
 A. RECOMMENDED MOUNTING HOLE PATTERN IS SHOWN IN "FIG. A"
 B. ALL MATING PINS TO BE .025/0.64 SQUARE ON TRUE CENTER OF GIVEN TERMINAL SPACINGS WITHIN .015/0.38 DIA.
 C. SUGGESTED MATING PIN LENGTH .210±.020 / 5.33±.51.
- ⑤ ADD "LF" SUFFIX AT THE END OF PART NUMBER FOR LEAD FREE OPTION.
- ⑥ THESE PRODUCTS MEET EUROPEAN UNION DIRECTIVES AND OTHER COUNTRY REGULATIONS AS DESCRIBED IN GS-22-008.
- 7. THIS PART WILL WITHSTAND EXPOSURE TO 260°C PEAK TEMPERATURE FOR 20 SECONDS IN WAVE SOLDER, INFRA-RED OR VAPOR PHASE SOLDER PROCESS.
- ⑧ "THIS PRODUCT HAS 100% TIN PLATING IN THE INTERFACE AND HAS NOT BEEN TESTED FOR WHISKER GROWTH IN ALL INTERCONNECT ENVIRONMENTS."

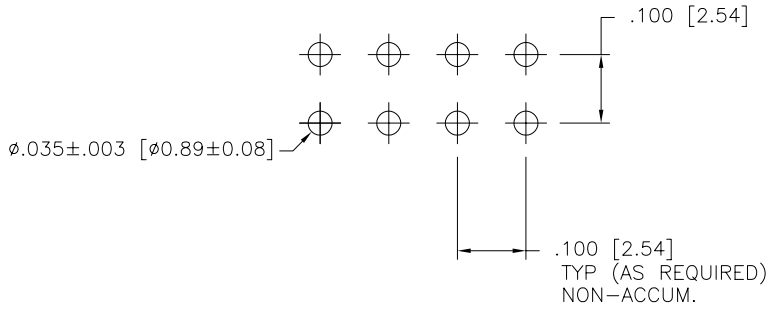


FIG. A



Copyright FCI

mat'l. code		surface ISO 1302 ✓		tolerance ISO 406 ISO 1101		projection ⊕		product family CARD CONN	
ltr	ecn no	dr	date	tolerances unless otherwise specified		INCH/MM		title	
H				angles	linear	.XX±.01/.X±.3 .XXX±.0.005/.XX±.13 XXXX±.0020/.XXX±.051		2X.100/2.54 VERT. CARD CONN. BLACK POLYESTER 30μ"/.76μ Au	
				0°±2'		scale 4:1		dwg no sheet 2 of 3 size	
				dr	J.MUSTARD	10/26/97		68607 A3	
				enr	H.SUNDY	10/26/97		type Product Customer Drawing	
				chr	H.SUNDY	10/26/97			
				appd	H.SUNDY	10/26/97			
sheet index	revision sheet								

PRODUCT NO.	NO. OF POS.	DIM A	DIM B	LEAD FREE OPTION	
68607-001	U N A S S I G N E D				
68607-002	2 X 2	.100[12.54]	.200[5.08]	NOTE 5,6	
68607-003	2 X 3	.200[5.08]	.300[7.62]		
68607-004	2 X 4	.300[7.62]	.400[10.16]		
68607-005	2 X 5	.400[10.16]	.500[12.70]		
68607-006	2 X 6	.500[12.70]	.600[15.24]		
68607-007	2 X 7	.600[15.24]	.700[17.78]		
68607-008	2 X 8	.700[17.78]	.800[20.32]		
68607-009	2 X 9	.800[20.32]	.900[22.86]		
68607-010	2 X 10	.900[22.86]	1.000[25.40]		
68607-011	2 X 11	1.000[25.40]	1.100[27.94]		
68607-012	2 X 12	1.100[27.94]	1.200[30.48]		
68607-013	2 X 13	1.200[30.48]	1.300[33.02]		
68607-014	2 X 14	1.300[33.02]	1.400[35.56]		
68607-015	2 X 15	1.400[35.56]	1.500[38.10]		
68607-016	2 X 16	1.500[38.10]	1.600[40.64]		
68607-017	2 X 17	1.600[40.64]	1.700[43.18]		
68607-018	2 X 18	1.700[43.18]	1.800[45.72]		
68607-019	2 X 19	1.800[45.72]	1.900[48.26]		
68607-020	2 X 20	1.900[48.26]	2.000[50.80]		
68607-021	2 X 21	2.000[50.80]	2.100[53.34]		
68607-022	2 X 22	2.100[53.34]	2.200[55.88]		
68607-023	2 X 23	2.200[55.88]	2.300[58.42]		
68607-024	2 X 24	2.300[58.42]	2.400[60.96]		
68607-025	2 X 25	2.400[60.96]	2.500[63.50]		
68607-026	2 X 26	2.500[63.50]	2.600[66.04]		
68607-027	2 X 27	2.600[66.04]	2.700[68.58]		
68607-028	2 X 28	2.700[68.58]	2.800[71.12]		
68607-029	2 X 29	2.800[71.12]	2.900[73.66]		
68607-030	2 X 30	2.900[73.66]	3.000[76.20]		
68607-031	2 X 31	3.000[76.20]	3.100[78.74]		
68607-032	2 X 32	3.100[78.74]	3.200[81.28]		
68607-033	2 X 33	3.200[81.28]	3.300[83.82]		
68607-034	2 X 34	3.300[83.82]	3.400[86.36]		
68607-035	2 X 35	3.400[86.36]	3.500[88.90]		
68607-036	2 X 36	3.500[88.90]	3.600[91.44]		NOTE 5,6



Copyright FCI

mat'l. code		surface ISO 1302 <input checked="" type="checkbox"/>		tolerance ISO 406 ISO 1101		projection 		product family CARD CONN	
ltr	ecn no	dr	date	tolerances unless otherwise specified				title	
H				angles	linear	.XX±.01/.X±.3		2X.100/2.54 VERT. CARD CONN.	
				0'±2'		.XXX±.0.005/.XX±.13		BLACK POLYESTER 30µ"/.76µ Au	
						.XXXX±.0020/.XXX±.051		scale 4:1	
		dr	J.MUSTARD	10/26/97			dwg no sheet 3 of 3 size		
		enr	H.SUNDY	10/26/97			68607 A3		
		chr	H.SUNDY	10/26/97			type Product Customer Drawing		
		appd	H.SUNDY	10/26/97					
sheet index	revision sheet								