

PART NAME: KNOB SCALE: 1:1 DATE: 12/28/45 DR. BY JVA

THIS DRAWING IS THE PROPERTY OF DAVIES MOLDING COMPANY, IS SUBMITTED SOLELY AS A DESIGN OR ENGINEERING PROJECT. WE ACCEPT NO RESPONSIBILITY WHATSOEVER FOR THE PRACTICAL APPLICATION OF THE PIECES MADE TO THIS DESIGN.



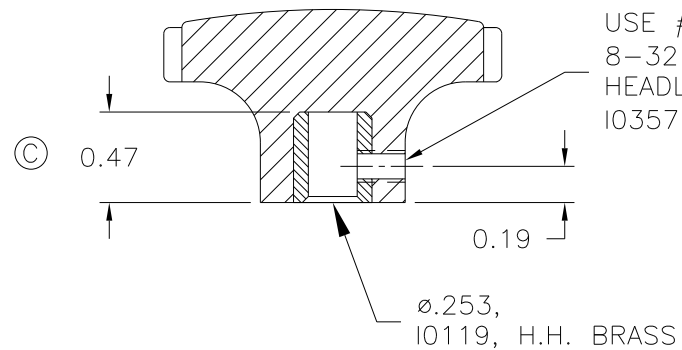
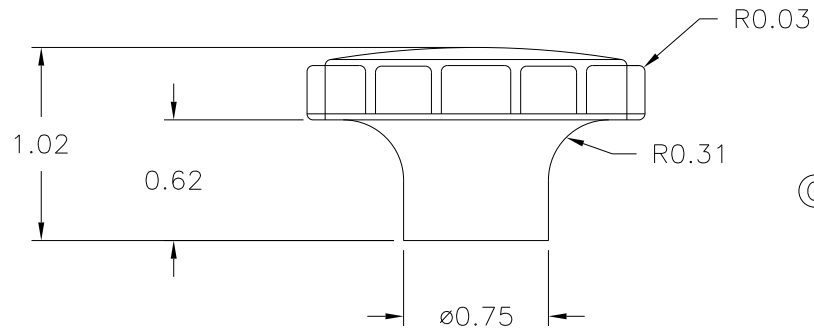
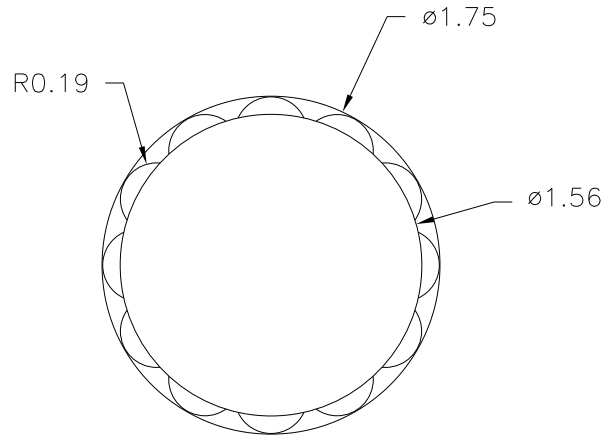
DESIGNERS & MANUFACTURERS OF KNOBS, HANDLES, CASES & CUSTOM PLASTIC COMPONENTS

P/N 3000AM

BASE PART 3000-01

SET SCREW I0357

Ⓓ



USE #28 DRILL, 8-32 TAP, 8-32 x 1/4 LG. CUP POINTED, HEADLESS, SLOTTED SET SCREW, I0357, (1) REQ'D

MATERIAL: #4311 PLENCO PHENOLIC (B41)
COLOR: BLACK

TOLERANCES: UNLESS OTHERWISE SPECIFIED	DO NOT SCALE DRAWING
DECIMALS: X.XXX ± .005 X.XX ± .015	MM: X.XX ± 0.15MM X.X ± 0.4MM
FRACTIONS ± 1/64	ANG. ± 1°

D	ADDED BASE PART	JAM	4/16/13
C	ADDED DIMENSION	DAD	12/19/05
-	RE-DID REDRAW	TL	11/29/99
-	CAD REDRAW	HD	12/26/96
B	WAS I0027	LSP	3/18/57
A	WAS I0036	JWC	5/7/48

CHANGES