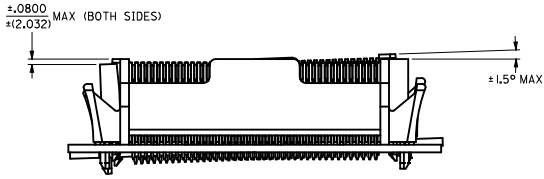


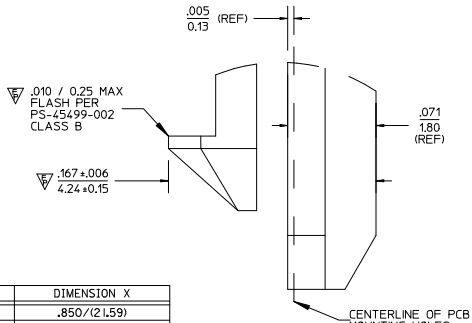
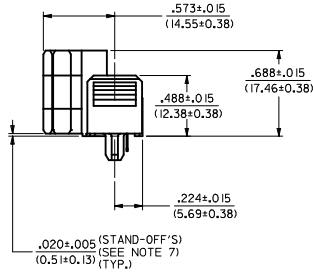
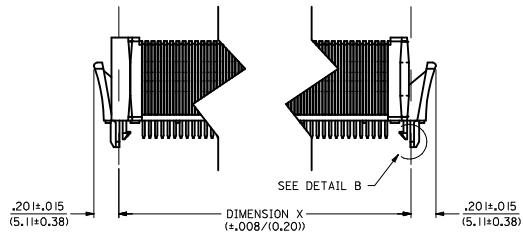
NOTES:

1. MATERIAL:
HOUSING: GLASS FILLED POLYESTER, UL 94V-0; COLOR - BLACK
CONTACTS: COPPER ALLOY
2. FINISH: .00030/(0.00076) MIN. GOLD ON CONTACTS, .000080/(0.00203) MIN. TIN ON SOLDER TAILS, OVER .000050/(0.00127) MIN. NICKEL OVERALL.
3. PRODUCT SPECIFICATION: PS-44245-999.
4. PACKAGING INFORMATION: PK-44245-001.
5. MATES WITH: SELF (HERMAPHRODITIC MATE).
PROTECTIVE COVERS: 44783-0010 THRU -0060 (AVAILABLE AS ACCESSORY ITEMS).
6. THE HOLES FOR THE BOARD LOCKS SHALL NOT BE PLATED THRU.
7. COPPER TRACES NOT RECOMMENDED BENEATH THE STAND-OFF'S.
8. THIS PART CONFORMS TO CLASS B REQUIREMENTS OF COSMETIC SPEC PS-45499-002.



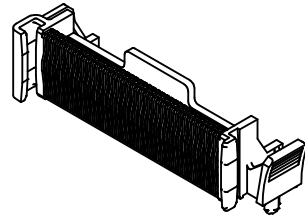
VIEW A-A

(ALLOWANCE FOR ANGULAR MISALIGNMENT)
(BOTH LIMIT CONDITIONS MUST BE MET)

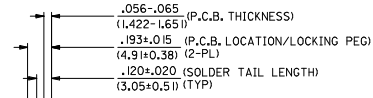


DETAIL B

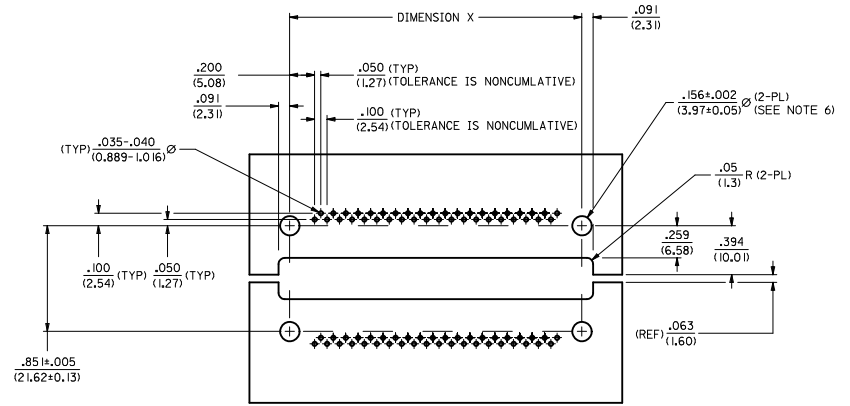
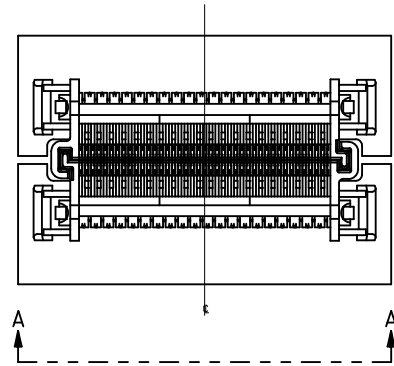
(SCALE 20x1)



ISOMETRIC PROJECTION OF 442450040
(FORTY CIRCUITS)



MAXIMUM LINEAR MISALIGNMENT ±.0625
(TAKE THIS MEASUREMENT AT THE CENTERLINE, ϕ ±(1.588))



RECOMMENDED LAYOUT FOR P.C.B.'S

(FORTY CIRCUIT CONFIGURATION IS PROTRAYED)

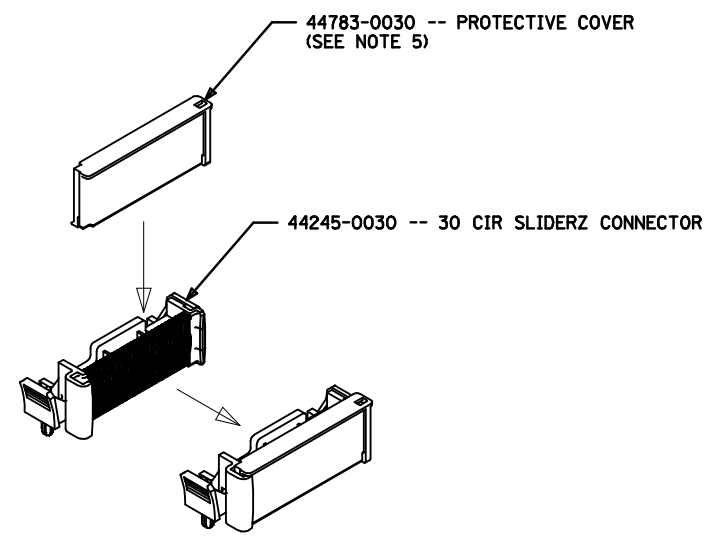
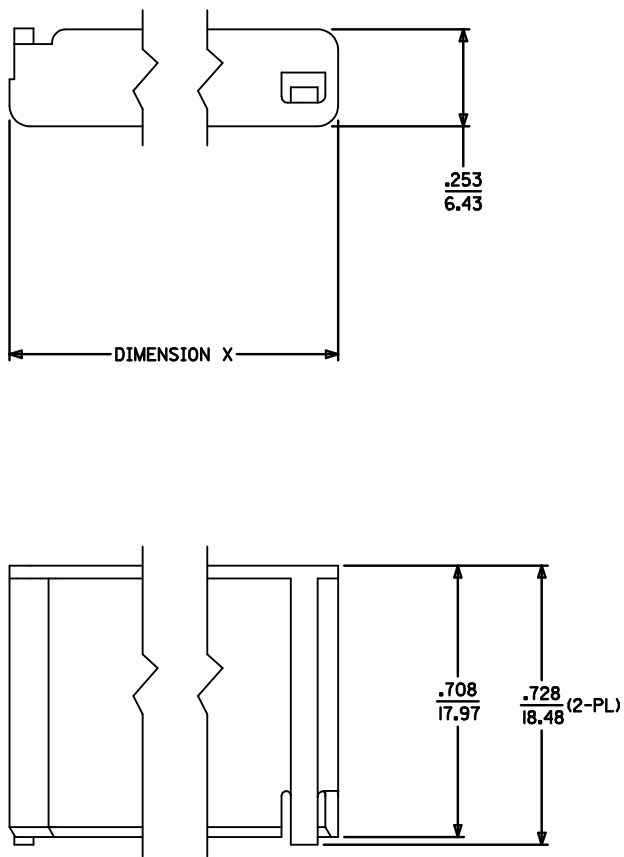
MATERIAL NUMBER	CIRCUIT SIZE	DIMENSION X
442450010	10	.850/(21.59)
442450020	20	1.350/(34.29)
442450030	30	1.850/(46.99)
442450040	40	2.350/(59.69)
442450050	50	2.850/(72.39)
442450060	60	3.350/(85.09)

LATCH & FLASH EC NO. UCP2011-1777 DRAWN BY DRINKWANDERSON 2010/12/16 CHYD/BELL 2010/12/21 APPROV:FSMITH 2010/12/23	QUALITY SYMBOLS	GENERAL TOLERANCES (UNLESS SPECIFIED)	DIMENSION STYLE	SCALE	DESIGN UNITS	THIRD ANGLE PROJECTION
	∇=0 ∇=0 ∇=2	4 PLACES ± --- ± --- 3 PLACES ± --- ± .003 2 PLACES ± 0.08 ± .010 1 PLACE ± 0.25 ± --- ANGULAR ±1/2°	IN/MM INCH	IN/MM 2:1	INCH	THIRD ANGLE PROJECTION
	DRAWN BY DATE CHECKED BY DATE APPROVED BY DATE DATE	PELOZA 1999/01/25 PELOZA 1999/01/25 DATE 2010/12/23	TITLE SLIDERZ PASS THRU CONNECTOR ASSEMBLY HERMAPHRODITIC MATE	MATERIAL NO. SEE CHART	DOCUMENT NO. MOLEX INCORPORATED	SHEET NO. 1 OF 1
	DRAFT WHERE APPLICABLE MUST REMAIN WITHIN DIMENSIONS	THIS DRAWING CONTAINS INFORMATION THAT IS PROPRIETARY TO MOLEX INCORPORATED AND SHOULD NOT BE USED WITHOUT WRITTEN PERMISSION				

NOTES:

1. MATERIAL: 66 NYLON, COLOR = BLACK.
2. FINISH: NOT APPLICABLE.
3. PRODUCT SPECIFICATION: NOT APPLICABLE.
4. DIMENSIONS AND FEATURES PLACED ACROSS A CENTERLINE TO BE SYMMETRIC ABOUT THAT CENTERLINE TO WITHIN .004"/0.10mm TOTAL.
5. THE PROTECTIVE COVER IS CAREFULLY PUSHED ONTO THE SLIDERZ CONNECTOR UNTIL THE LATCHING MEMBERS ENGAGE, WHICH IS SIGNALLED BY A "SNAP".

STATUS	MATERIAL NUMBER	DIMENSION X	DESCRIPTION
AVAILABLE	447830010	.856"/21.74mm	PROTECTIVE COVER FOR THE 10 CIRCUIT SLIDERZ
OBSOLETE	447830020	1.356"/34.44mm	PROTECTIVE COVER FOR THE 20 CIRCUIT SLIDERZ
OBSOLETE	447830030	1.856"/47.14mm	PROTECTIVE COVER FOR THE 30 CIRCUIT SLIDERZ
OBSOLETE	447830040	2.356"/59.84mm	PROTECTIVE COVER FOR THE 40 CIRCUIT SLIDERZ
OBSOLETE	447830050	2.856"/72.54mm	PROTECTIVE COVER FOR THE 50 CIRCUIT SLIDERZ
OBSOLETE	447830060	3.356"/85.24mm	PROTECTIVE COVER FOR THE 60 CIRCUIT SLIDERZ



ISOMETRIC PROJECTION OF 44783 AND ITS APPLICATION
(NO SCALE)

REMOVE 20-60CKT EC NO: UCP2016-0581 DRWN: J.MONTI 2015/08/06 CHKD: BANDERSON 2015/08/06 APPR: F.SMITH 2015/08/13	QUALITY SYMBOLS	GENERAL TOLERANCES (UNLESS SPECIFIED)	DIMENSION STYLE	SCALE	DESIGN UNITS	THIRD ANGLE PROJECTION
	▽=0	mm INCH	IN/MM	4:1	INCH	
	▽=0	4 PLACES ± --- ± ---	DRAWN BY DATE	TITLE		
	▽=0	3 PLACES ± --- ± .010	PELOZA 2000/08/16	PROTECTIVE COVER FOR SLIDERZ		
REV	DESCRIPTION	2 PLACES ± 0.25 ± .015	CHECKED BY DATE	molex		
		1 PLACE ± 0.38 ± ---	PELOZA 2000/08/16	SD-44783-001		
		0 PLACE ± ±	APPROVED BY DATE	1 OF 1		
		ANGULAR ± 1 °	MATERIAL NO.	DOCUMENT NO.		SHEET NO.
		DRAFT WHERE APPLICABLE MUST REMAIN WITHIN DIMENSIONS	SEE CHART	SD-44783-001		1 OF 1
			SIZE	THIS DRAWING CONTAINS INFORMATION THAT IS PROPRIETARY TO MOLEX INCORPORATED AND SHOULD NOT BE USED WITHOUT WRITTEN PERMISSION		