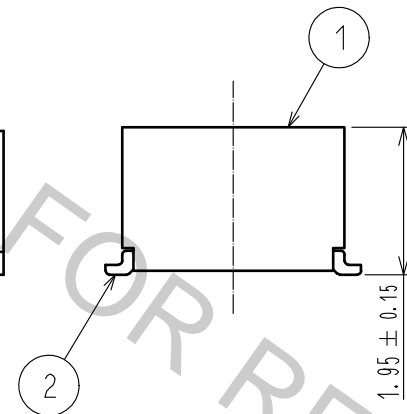
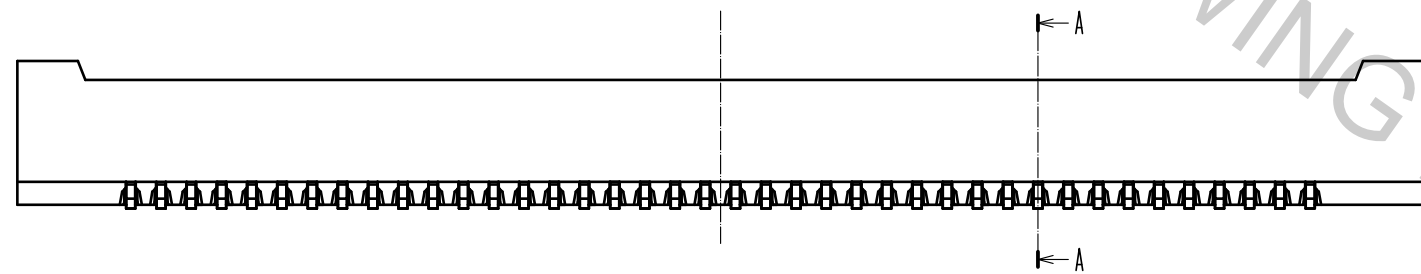
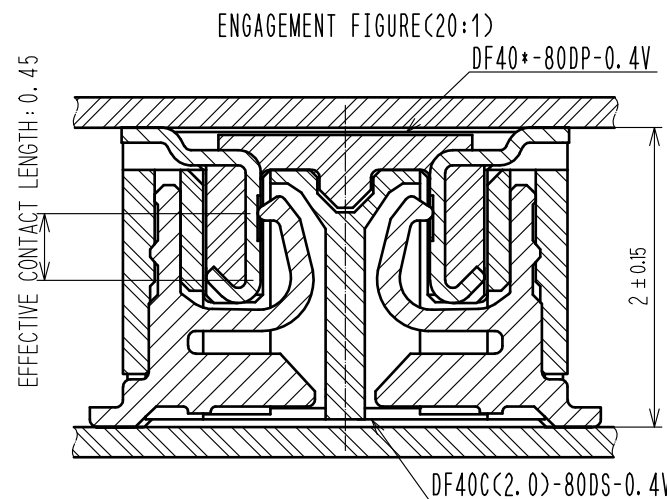
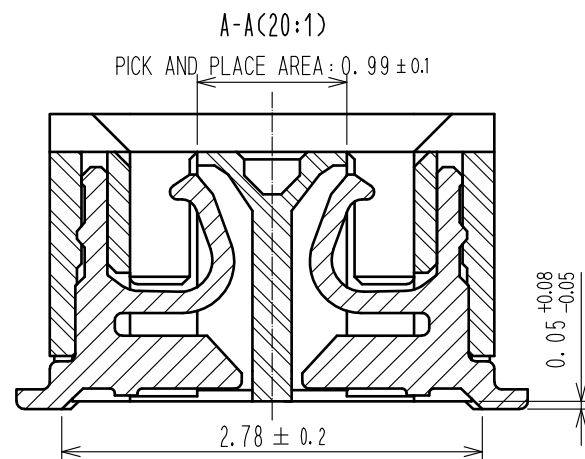


RECOMMENDED METAL MASK THICKNESS : 120μm
 RECOMMENDED METAL MASK OPENING RATIO : 80% FOR LEAD PAD

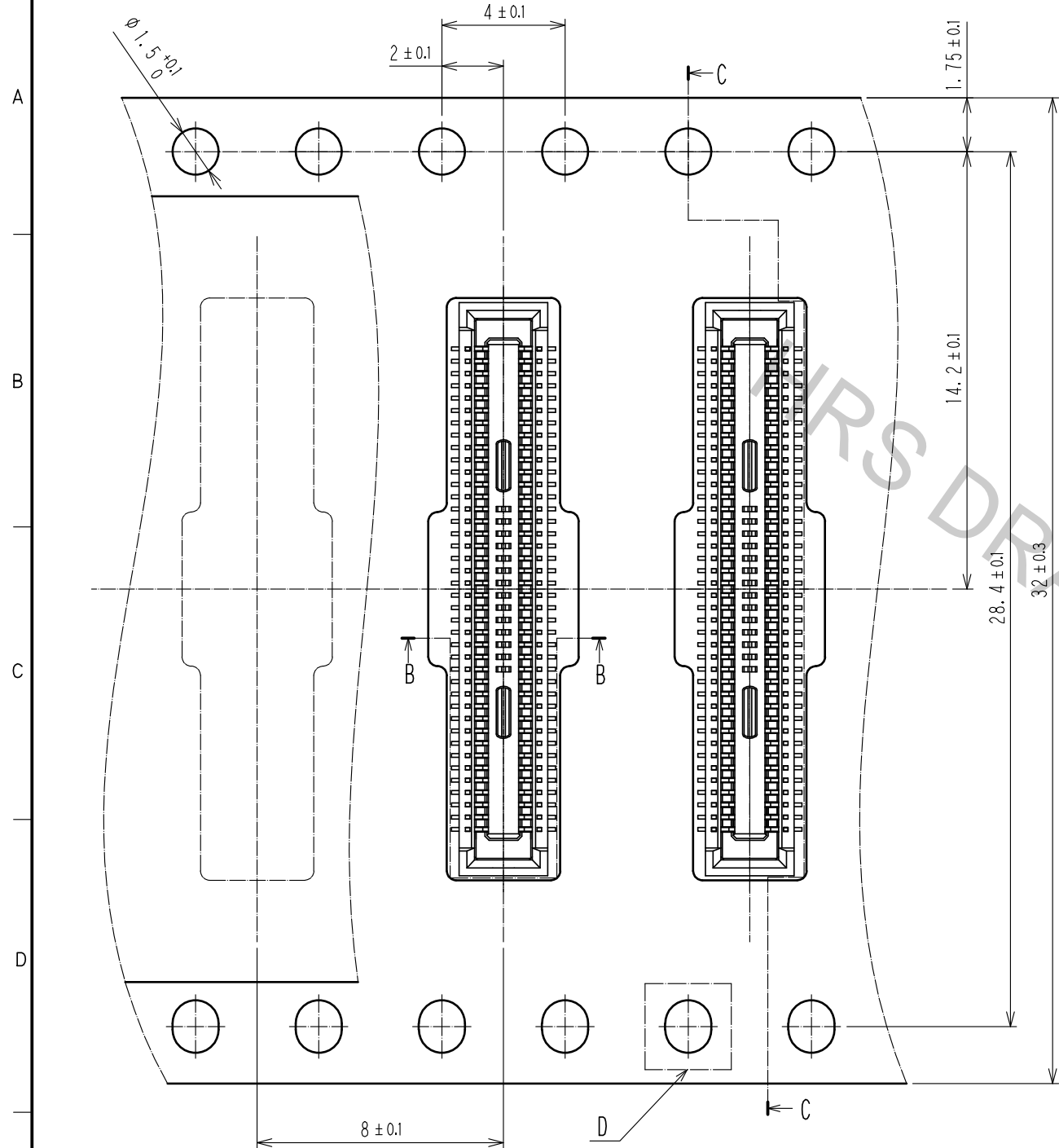


- NOTES) 1. ALL LEADS CO-PLANARITY SHALL BE 0.1MAX.
 2. IS NO PATTERN AREA OTHER THAN THE SAME CIRCUIT.
 3. HRS MARK AND CAV NO. IS INDICATED IN APPROX POSITION SHOWN.
 4. GATE POSITION IS POSITIONED IN APPROXIMAL AREA SHOWN.

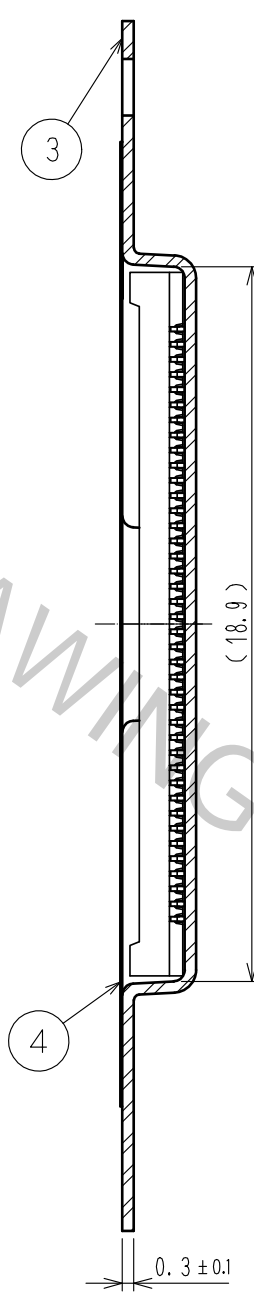


2	PHOSPHOR BRONZE	CONTACT AREA: GOLD 0.05μm MIN	6	PS	CLEAR, REINFORCEMENT COLLAR		
		SMT LEAD: GOLD 0.05μm MIN	5	PS	BLACK		
		UNDERPLATING: NICKEL 1μm MIN	4	POLYESTER	CLEAR, COVER TAPE		
1	LCP	BLACK, UL94V-0	3	PS	CLEAR, EMBOSSED CARRIER TAPE		
NO.	MATERIAL	FINISH . REMARKS	NO.	MATERIAL	FINISH . REMARKS		
UNITS mm		SCALE 10: 1	COUNT 	DESCRIPTION OF REVISIONS	DESIGNED	CHECKED	DATE
HRS HIROSE ELECTRIC CO., LTD.		APPROVED : MO. ISHIDA	16.10.05	DRAWING NO. EDC-321075-58-01			
		CHECKED : TS. MIYAZAKI	16.10.05	PART NO. DF40C(2.0)-80DS-0.4V(58)			
		DESIGNED : SH. HOSODA	16.10.05	CODE NO. CL684-4132-6-58			
		DRAWN : SN. NUMAZAKI	16.10.04			1/2	

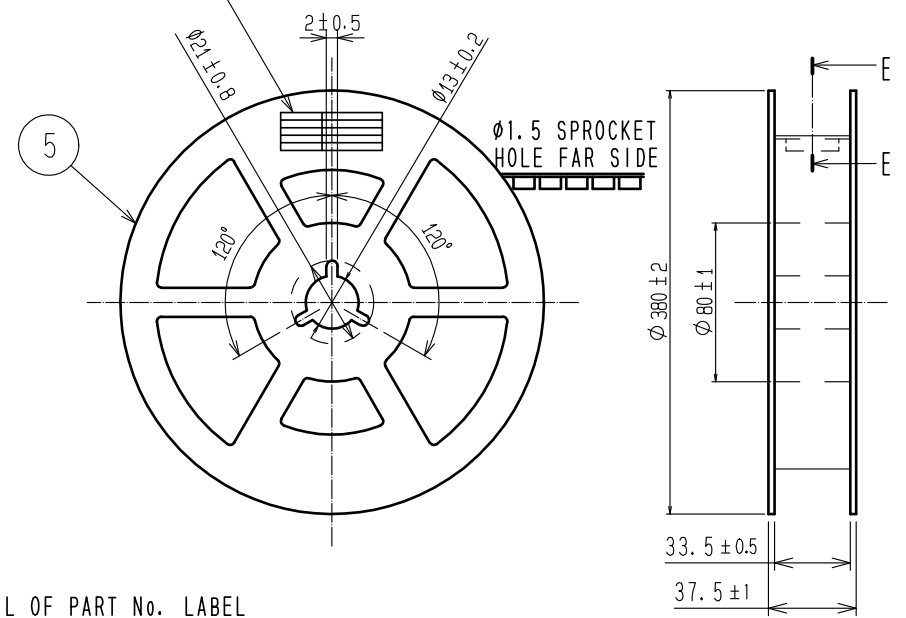
EMBOSSED CARRIER TAPE PACKAGING (5:1)



C-C (5:1)



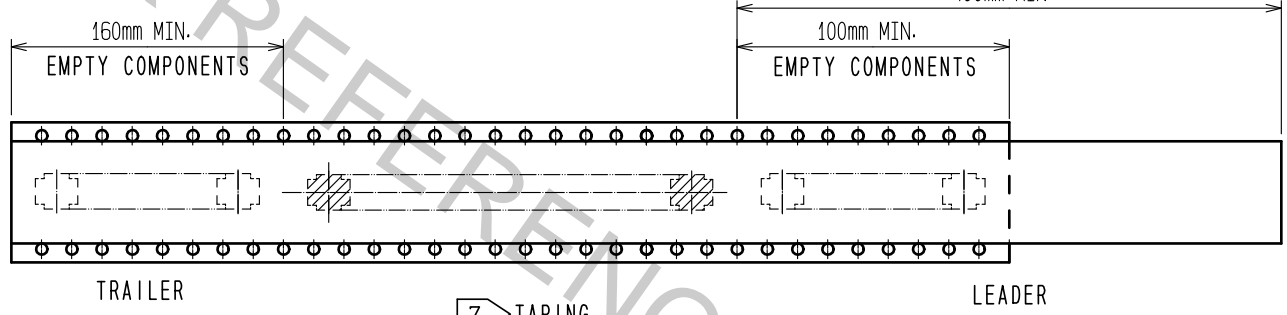
STYLE AND DIMENSIONS OF REEL (FREE)



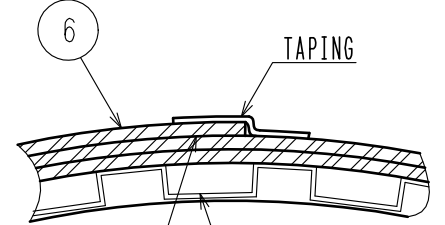
8) DETAIL OF PART No. LABEL

製造年月日	** ** *
製品コード	CL684-4132-6-58
製品名	DF40C(2.0)-80DS-0.4V(58)
数量	1000
納入者	ヒロセ電機(株)

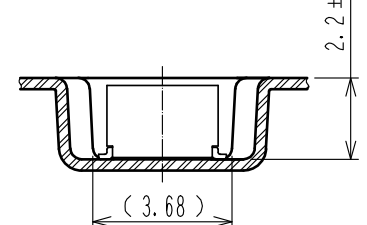
PORTION EQUIPPED WITH CONNECTORS (FREE)



E-E (FREE)



B-B (5:1)



- NOTES
- PER REEL 1000 CONNECTORS.
 - THE DIMENSIONS IN PARENTHESES ARE FOR REFERENCE.
 - REFER TO JIS C 0806 (PACKING OF COMPONENTS FOR AUTOMATIC HANDLING)
 - DETAIL OF PART No. LABEL IS WRITTEN IN JAPANESE. PART No. LABEL DESCRIBES THE FOLLOWING INFORMATION FROM TOP.
 Production Date:
 Product Code: CL684-4132-6-58
 Part Number: DF40C(2.0)-80DS-0.4V(58)
 Number of pieces: 1000 pieces
 Supplier Name: Hirose Electric Co., Ltd.
 - AFTER PACKAGING, ROLL 2 METERS OF THE REINFORCEMENT COLLAR TO OUTER CIRCUMFERENCE OF TAPE AND REEL POCKET, AND TAPE DOWN AT THE END THE COLLAR.

HRS	DRAWING NO.	EDC-321075-58-01
	PART NO.	DF40C(2.0)-80DS-0.4V(58)
	CODE NO.	CL684-4132-6-58
		\triangle 2/2