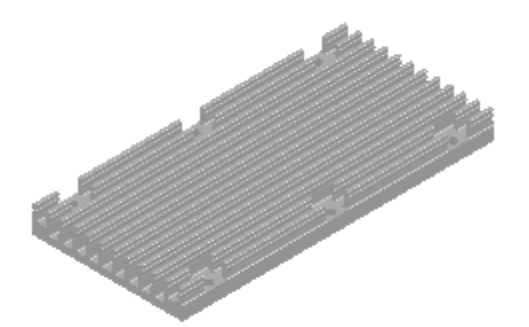
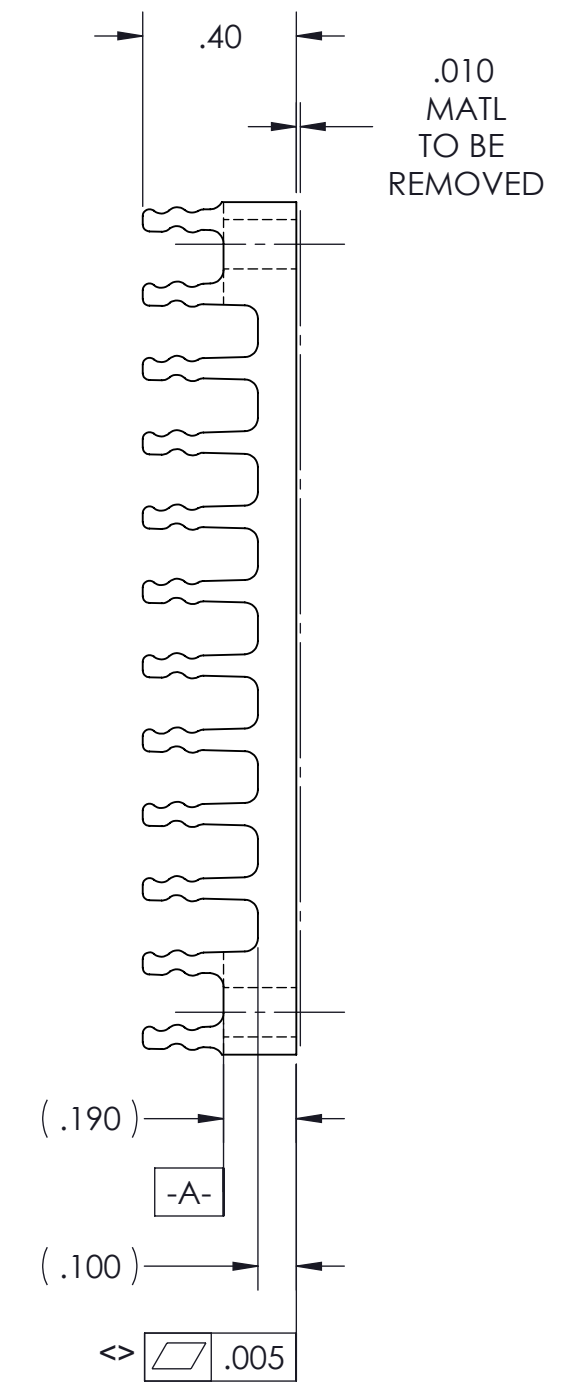
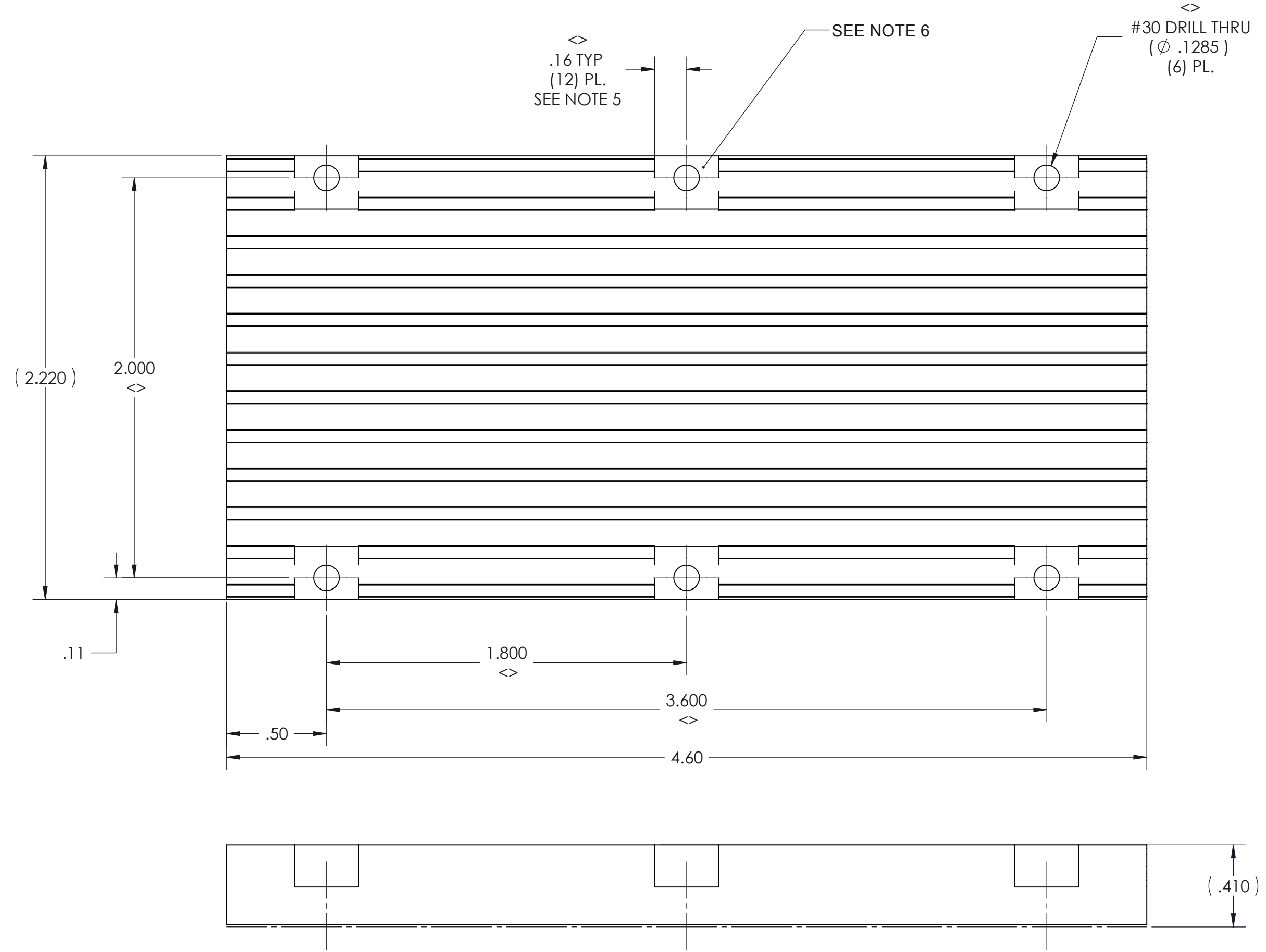


VICOR CONFIDENTIAL
 THIS DOCUMENT AND THE DATA DISCLOSED HEREIN OR HEREWITH IS NOT TO BE REPRODUCED, USED OR DISCLOSED IN WHOLE OR IN PART TO ANYONE WITHOUT THE PERMISSION OF VICOR CORP.

REV.	DESCRIPTION	DATE	APPROVED
1	RELEASED PER ECO REQUEST E070416 REJH	03/05/07	EF
2	REVISED PER ECO REQUEST E091085 AR	07/14/09	REJH
3	REDRAWN PER E100871 DCS	6/11/10	KUK
4	REVISED PER E120702 ZMB	07/31/12	REJH

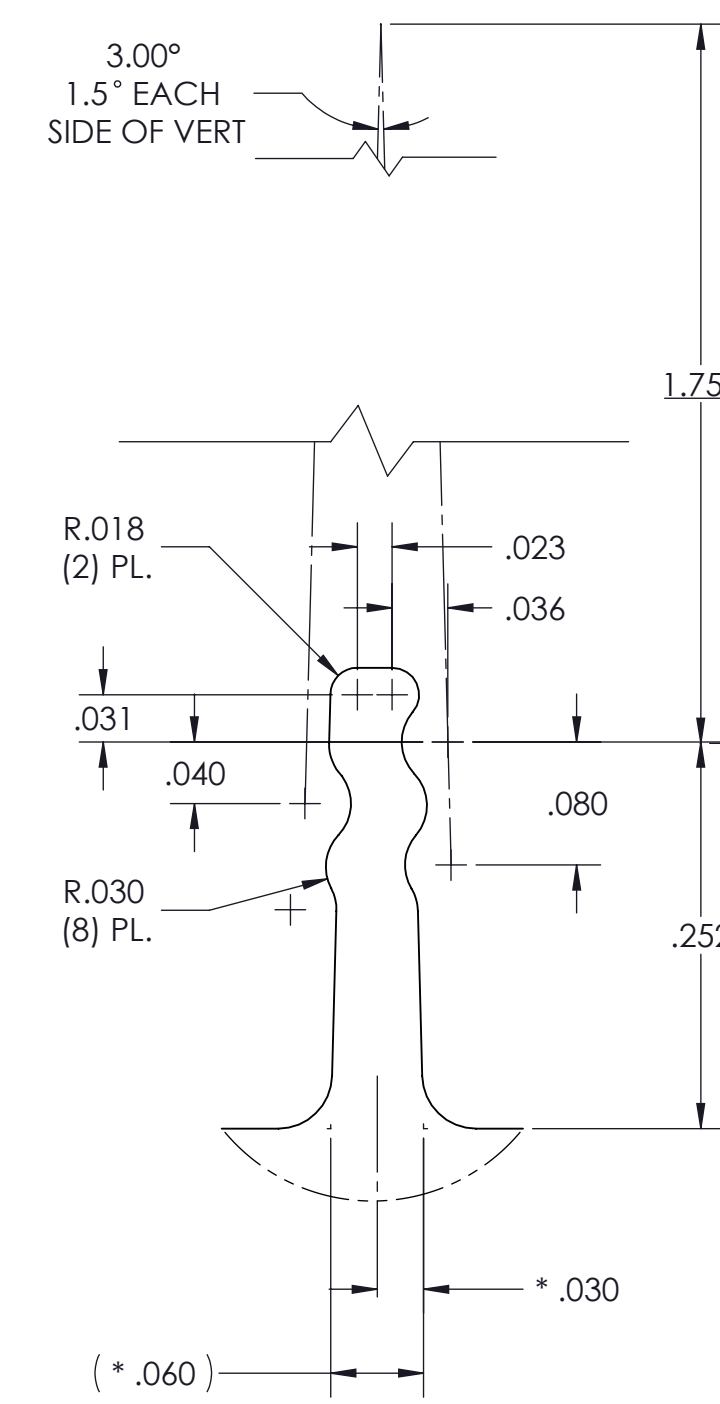
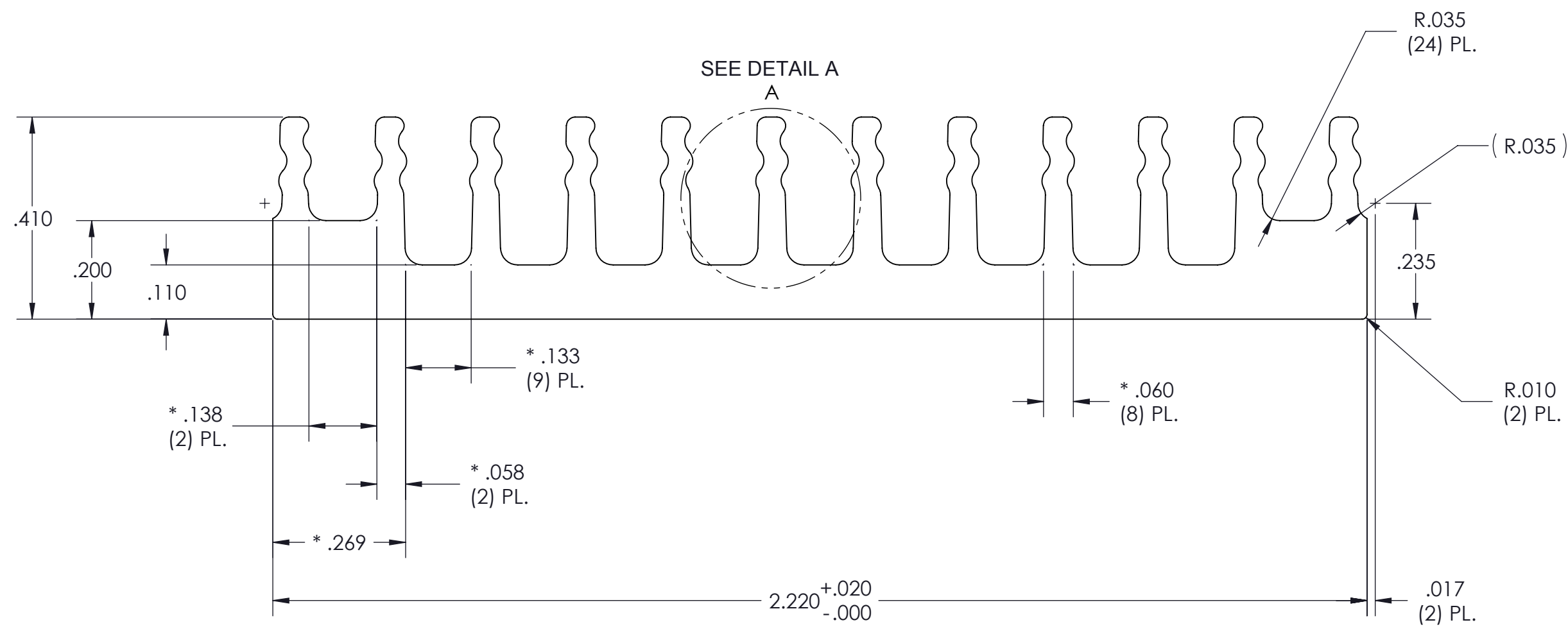


- NOTES:
1. MATERIAL: EXTRUSION SEE SHEET 2 OF 2.
 2. REMOVE ALL BURRS AND SHARP EDGES.
 3. CLEAR FINISH, RoHS COMPLIANT PER CST-0001, LATEST REVISION PER A.) CHROMIUM FREE, OR B.) TRIVALENT CHROMIUM IN ACCORDANCE WITH MIL-DTL-5541, TYPE II, CLASS 1A OR 3. SEE CST-0003 FOR TYPES OF AVAILABLE FINISHES.
 4. "<>" DENOTES CRITICAL CHARACTERISTIC FOR LOT INSPECTION.
 5. DIMENSIONS APPLIES AT SURFACE -A- (12) PL.
 6. MACHINED SURFACE TO BE .010 MAX BELOW SURFACE -A- (6) PL.
 7. DIMENSIONS ARE INCHES ONLY.

DRAWN BY D.P. KELLY	DATE 10/05	SWD		
UNLESS OTHERWISE SPECIFIED DIMENSIONS ARE : INCH / (MM)		HS CFG 'A' LONG .4H LOW FLOW, THRU HOLE		
TOLERANCES ARE: DECIMALS ANGLES X.XX [X.X] = ±0.01 [0.25] ±1° X.XXX [X.XX] = ±0.005 [0.127]		SIZE C	CAGE CODE 67131	DWG NO 30718
THIRD ANGLE PROJECTION 		SCALE 1:1	REV 4	
DO NOT SCALE DRAWING		SHEET 1 OF 2		

THIS DOCUMENT AND THE DATA DISCLOSED HEREIN OR HEREWITH IS NOT TO BE REPRODUCED, USED OR DISCLOSED IN WHOLE OR IN PART TO ANYONE WITHOUT THE PERMISSION OF VICOR CORP.

REV	DESCRIPTION	DATE	APPROVED
	SEE SHEET 1		



DETAIL A
SCALE 8 : 1

- NOTES:
1. MATL: ALUMINUM 6063-T5
 2. * DENOTES DIMENSION TO THEORETICAL SHARP CORNER.
 3. ALL DIMENSIONS ARE CRITICAL CHARACTERISTICS
 4. RoHS COMPLIANT PER CST-0001 LATEST REVISION.
 5. DIMENSIONS ARE INCHES ONLY

PROFILE COMMON FOR
30195
30718
32188
30482

DRAWN BY A. RAGIPANI	DATE 07/14/09	SWD		
UNLESS OTHERWISE SPECIFIED DIMENSIONS ARE : INCH / (MM)		HS CFG "A" LONG .4H LOW FLOW, THRU HOLE, EXTRUSION		
TOLERANCES ARE: DECIMALS ANGLES X.XX [X.X] = ±0.01 [0.25] ±1° X.XXX [X.XX] = ±0.005 [0.127]		SIZE C	CAGE CODE 67131	DWG NO 30718
THIRD ANGLE PROJECTION 		SCALE 1:1	REV 4	
DO NOT SCALE DRAWING		SHEET 2 OF 2		