

MATERIALS AND FINISHES:

HOUSING: ZINC ALLOY / PLATED SEE TABLE

CENTER CONTACT: BRASS / PLATED GOLD

INSULATOR: TEFLON

OUTER CONTACT: BERYLLIUM COPPER / PLATED SEE TABLE

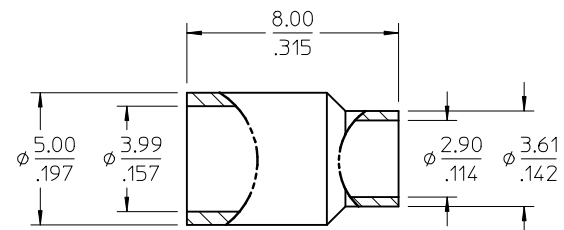
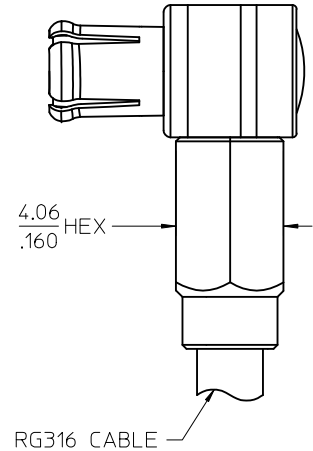
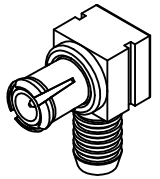
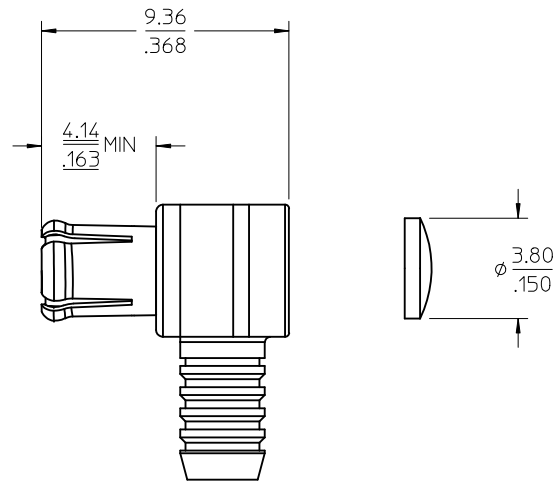
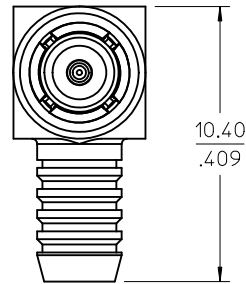
FERRULE: BRASS / PLATED SEE TABLE

CAP: STAINLESS STEEL (FOR 73366-0010/-0019)
PASSIVATED

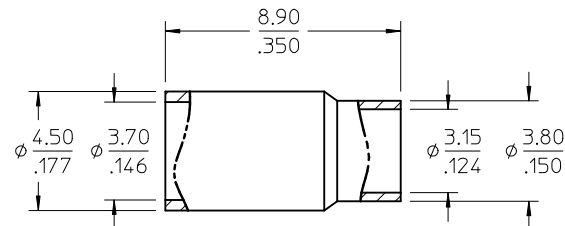
CAP: BRASS (FOR 73366-0011/-0012/-0017/-6350)
PLATED GOLD

NOTE:

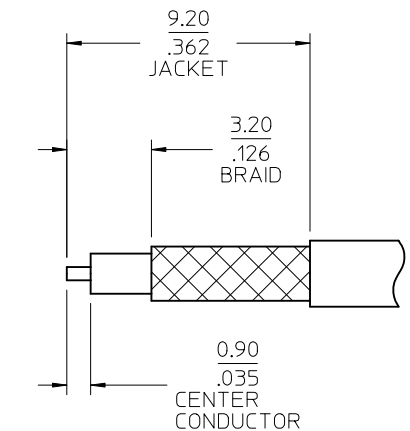
73366-0011'S FERRULE FOR GENERAL CUSTOMERS
73366-0012'S FERRULE FOR CHEN CHUN REQUEST



GENERAL CUSTOMERS



CHEN CHUN REQUEST



RECOMMENDED CABLE STRIP

73366-6350	GOLD PLATING, BULK PACK	GOLD 30μ-in	GOLD 30μ-in
73366-0019	NICKEL PLATING, BULK PACK	NICKEL 100μ-in	GOLD 10μ-in
73366-0018	BULK, 73366-0010 W/O FERRULE	GOLD 5μ-in	GOLD 10μ-in
73366-0017	GOLD PLATING, BULK PACK	GOLD 5μ-in	GOLD 10μ-in
73366-0016	73366-0012, SMALL TRAY	GOLD 5μ-in	GOLD 10μ-in
73366-0015	73366-0011, SMALL TRAY	GOLD 5μ-in	GOLD 10μ-in
73366-0014	73366-0010, SMALL TRAY	GOLD 5μ-in	GOLD 10μ-in
73366-0013	1 PIECE 73366-0010 PER BAG	GOLD 5μ-in	GOLD 10μ-in
73366-0012	GOLD PLATING, BULK PACK	GOLD 5μ-in	GOLD 10μ-in
73366-0011	GOLD PLATING, BULK PACK	GOLD 5μ-in	GOLD 10μ-in
73366-0010	NICKEL PLATING, BULK PACK	GOLD 5μ-in	GOLD 10μ-in
PART NO.	BODY PLATING & PACKAGING	OUTER CONTACT	CENTER CONTACT

PS-89675-1830	PRODUCT SPECIFICATION
SPECIFICATION	DESCRIPTION

CHG: ADD CENTER CONTACT AND PLATING THICKNESSES TO TABLE

EC NO: URF2012-0358
DRWINBOMALLEY 2011/12/21
CHKD:AZR 2011/12/21
APPR: JWIENER 2011/12/21

QUALITY SYMBOLS
▽=0
▽=0

GENERAL TOLERANCES (UNLESS SPECIFIED)

	mm	INCH
4 PLACES	± .005	± .0002
3 PLACES	± .003	± .0001
2 PLACES	± .002	± .0001
1 PLACE	± .001	± .0001

ANGULAR ± 2°

DRAFT WHERE APPLICABLE MUST REMAIN WITHIN DIMENSIONS

DIMENSION STYLE
MM/IN

DRAWN BY DATE
IRIS WANG 1997/05/13

CHECKED BY DATE
BEER 2003/02/21

APPROVED BY DATE
JWIENER 2010/06/01

MATERIAL NO.
SEE TABLE

SIZE
C

SCALE
DESIGN UNITS
METRIC

THIRD ANGLE PROJECTION

TITLE
MCX PLUG R/A RG316
50 OHMS
MCX-PC/RA

MOLEX INCORPORATED

DOCUMENT NO.
SD-73366-001

SHEET NO.
1 OF 1

THIS DRAWING CONTAINS INFORMATION THAT IS PROPRIETARY TO MOLEX INCORPORATED AND SHOULD NOT BE USED WITHOUT WRITTEN PERMISSION