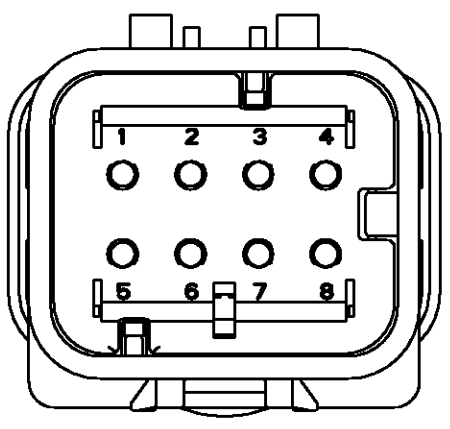
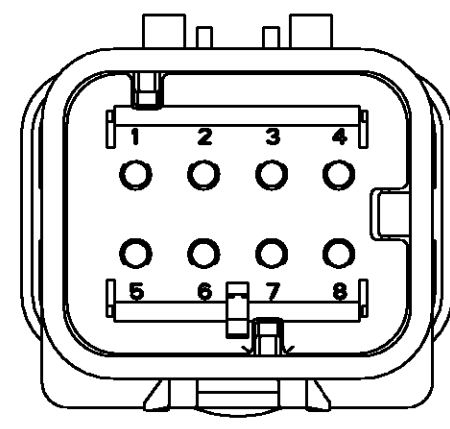


THIS DRAWING IS UNPUBLISHED. RELEASED FOR PUBLICATION
 © COPYRIGHT - BY - ALL RIGHTS RESERVED.

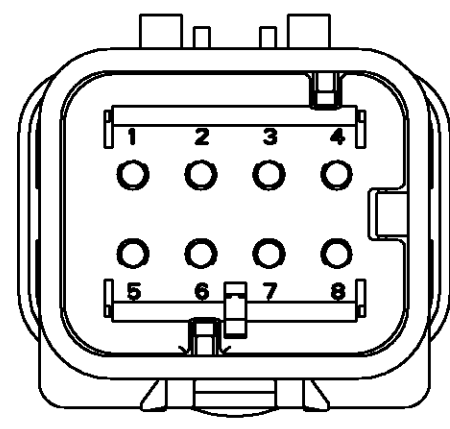
LOC	DIST	REVISIONS			
P	LTR	DESCRIPTION	DATE	DWN	APVD
GE	00	C1	REVISED PER ECO-11-005294	21APR11	RK HMR



776495-2
SCALE 2:1

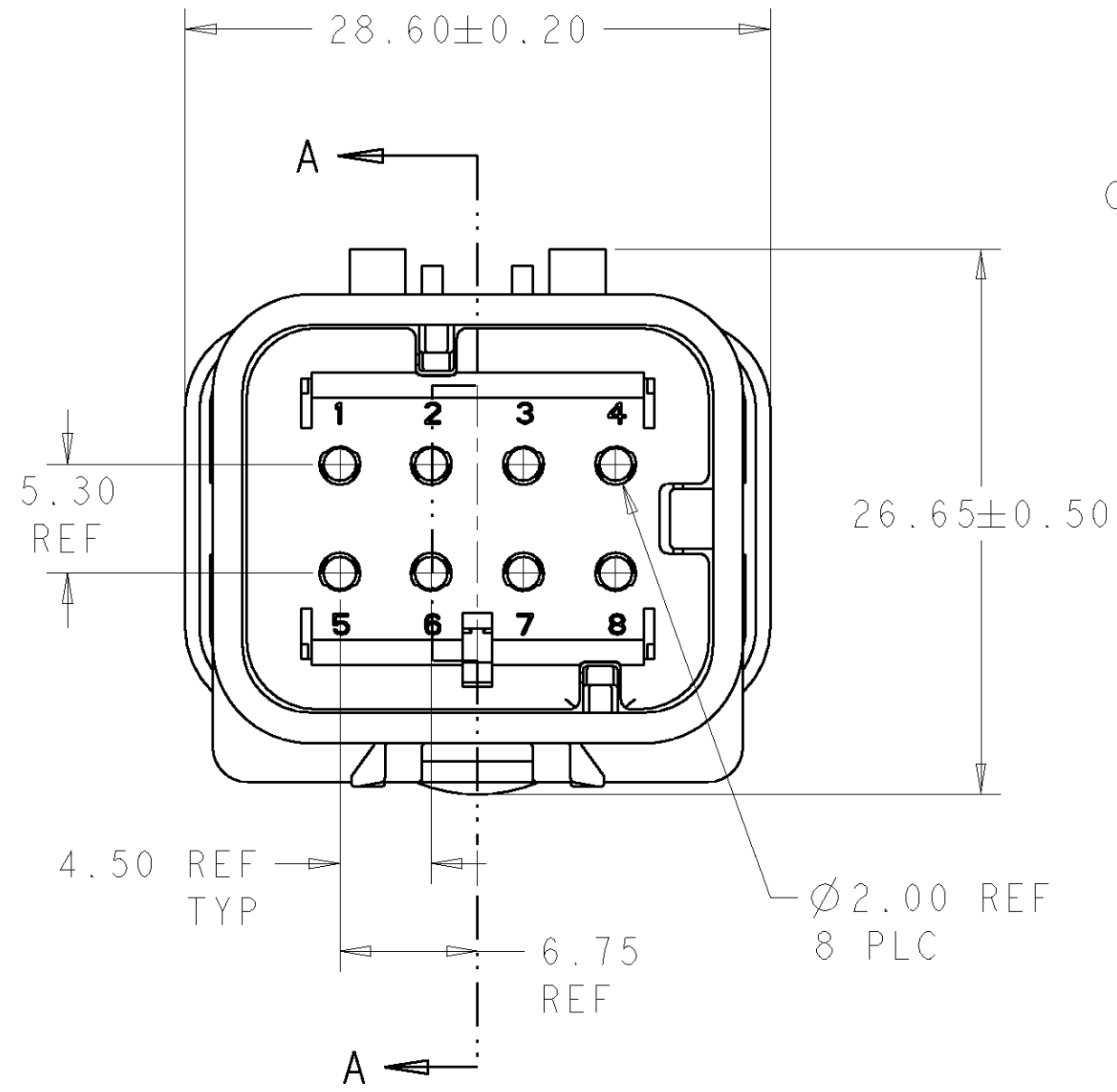


776495-3
SCALE 2:1

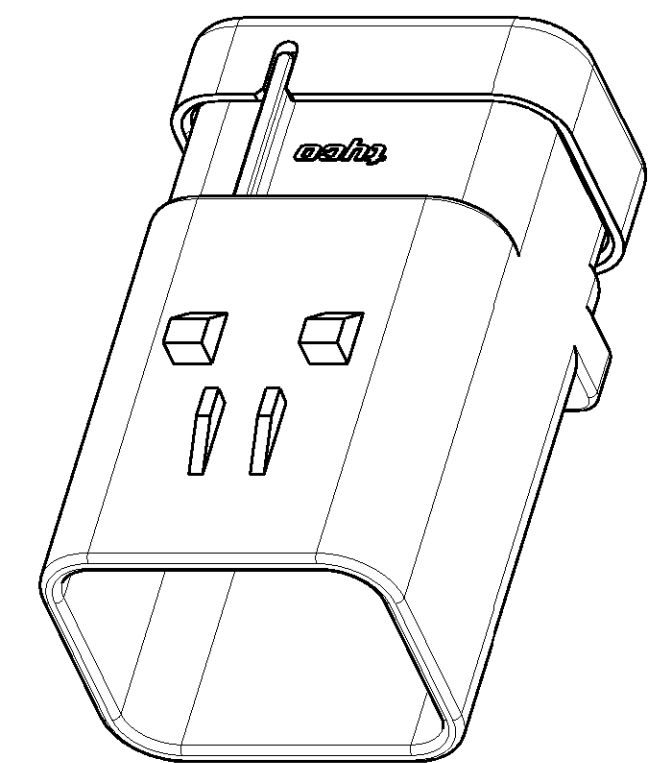
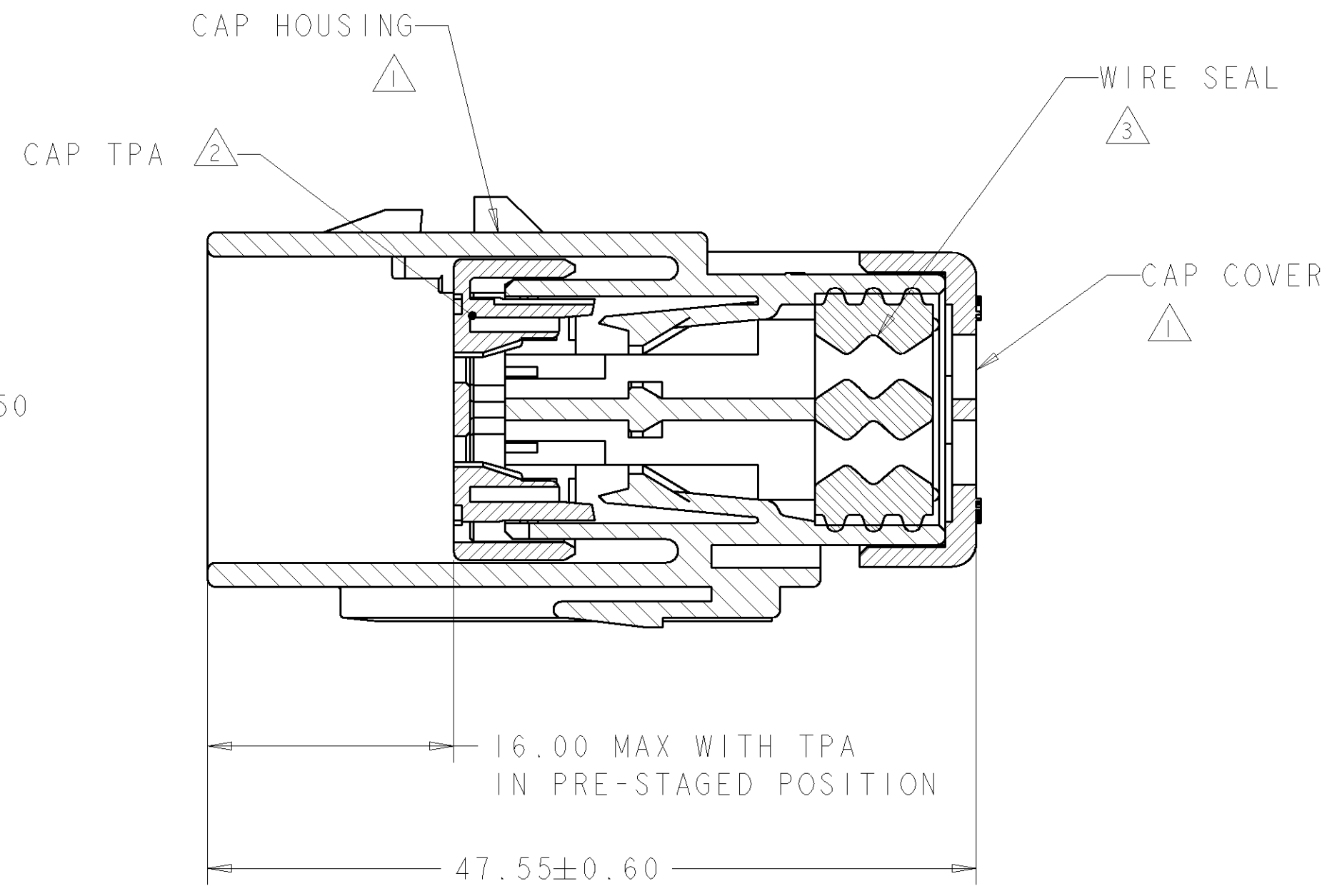


776495-4
SCALE 2:1

- ① MATERIAL: 15% GLASS FILLED THERMOPLASTIC
COLOR: BLACK
- ② MATERIAL: 15% GLASS FILLED THERMOPLASTIC
COLOR: (SEE TABLE)
- ③ MATERIAL: SILICONE
COLOR: YELLOW



776495-1 SHOWN



SCALE 2:1

GREEN	776495-4
YELLOW	776495-3
GRAY	776495-2
RED	776495-1
TPA COLOR	PART NUMBER

DWN Y. PETERSON 17DEC02		TE Connectivity	
CHK R. GREINER 17DEC02		NAME	
APVD R. GREINER 17DEC02		CAP ASSEMBLY, 8 POSITION, DUAL ROW, AMPSEAL 16	
PRODUCT SPEC		SIZE	RESTRICTED TO
APPLICATION SPEC		A2	-
114-13065		CAGE CODE	00779
WEIGHT		DRAWING NO	C-776495
CUSTOMER DRAWING		SCALE	2:1
		SHEET	OF
		REV	C1