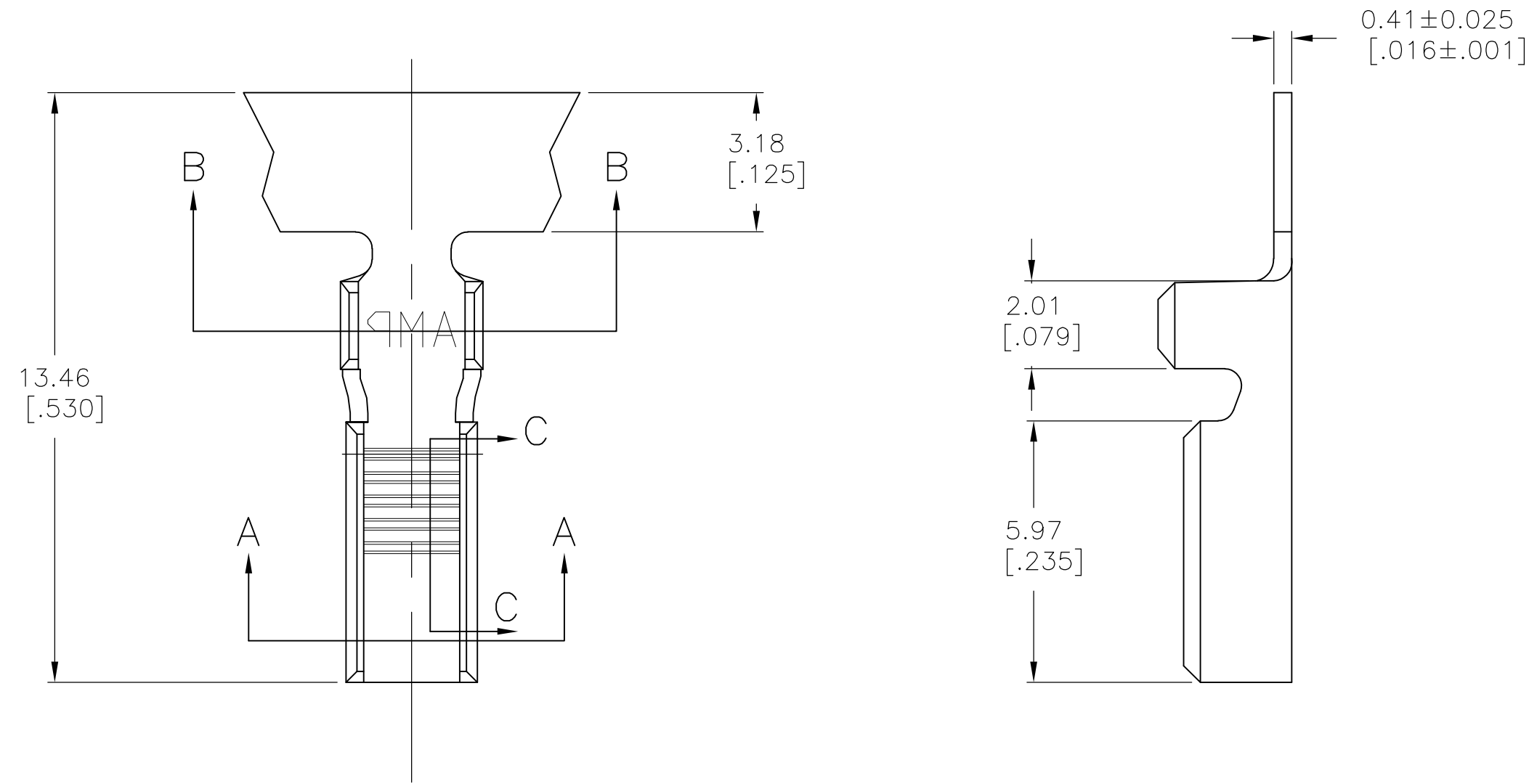
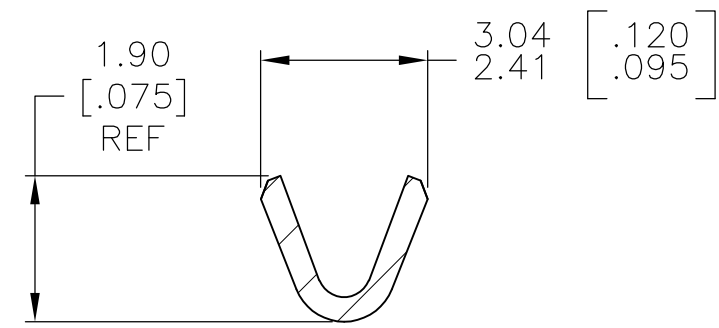


THIS DRAWING IS UNPUBLISHED. RELEASED FOR PUBLICATION
 © COPYRIGHT BY TYCO ELECTRONICS CORPORATION. ALL RIGHTS RESERVED.

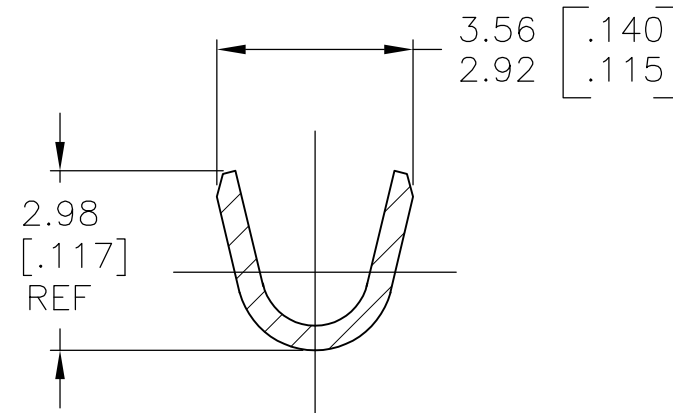
LOC	DIST	REVISIONS			
P	LTR	DESCRIPTION	DATE	DWN	APVD
AF	50	B2	REVISED PER ECR-08-019106	11AUG08	HMR DL



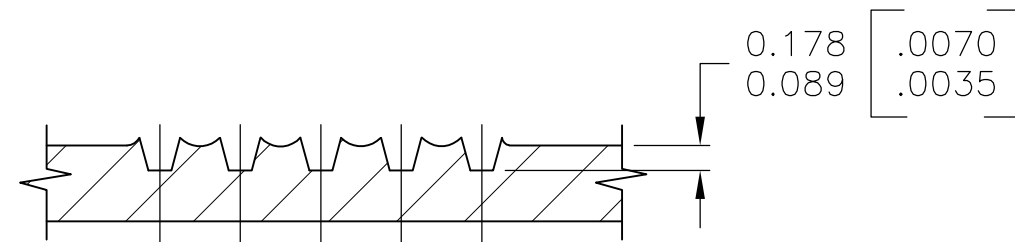
- 1 PRODUCT PROVIDED IN STRIP FORM ON REELS; BREAKS MAY BE PRESENT
- 2 WIRE RANGE: 600 - 1400 CMA
- 3 REF CRIMP INFORMATION :
 WIRE CRIMP - .062, TYPE O
 INSULATION CRIMP - .100, TYPE O



SECTION A-A



SECTION B-B



SECTION B-B

1742451-1
 PART NO

THIS DRAWING IS A CONTROLLED DOCUMENT.		DWN RAGHAVENDRA 01AUG2006	Tyco Electronics Corporation Harrisburg, PA 17105-3608	
DIMENSIONS: mm [INCHES]		CHK G PORTA 01AUG2006	NAME AMPLIVAR WIRE PIN 600 - 1400 CMA	
TOLERANCES UNLESS OTHERWISE SPECIFIED:		APVD G PORTA 01AUG2006	SIZE A2	CAGE CODE 00779
0 PLC ± - 1 PLC ± - 2 PLC ± 0.25[.010] 3 PLC ± - 4 PLC ± - ANGLES ± -		PRODUCT SPEC APPLICATION SPEC	DRAWING NO C=1742451	RESTRICTED TO -
MATERIAL BRASS	FINISH -	WEIGHT -	SCALE 8:1	SHEET 1 of 1
CUSTOMER DRAWING			REV B2	

1742451

A