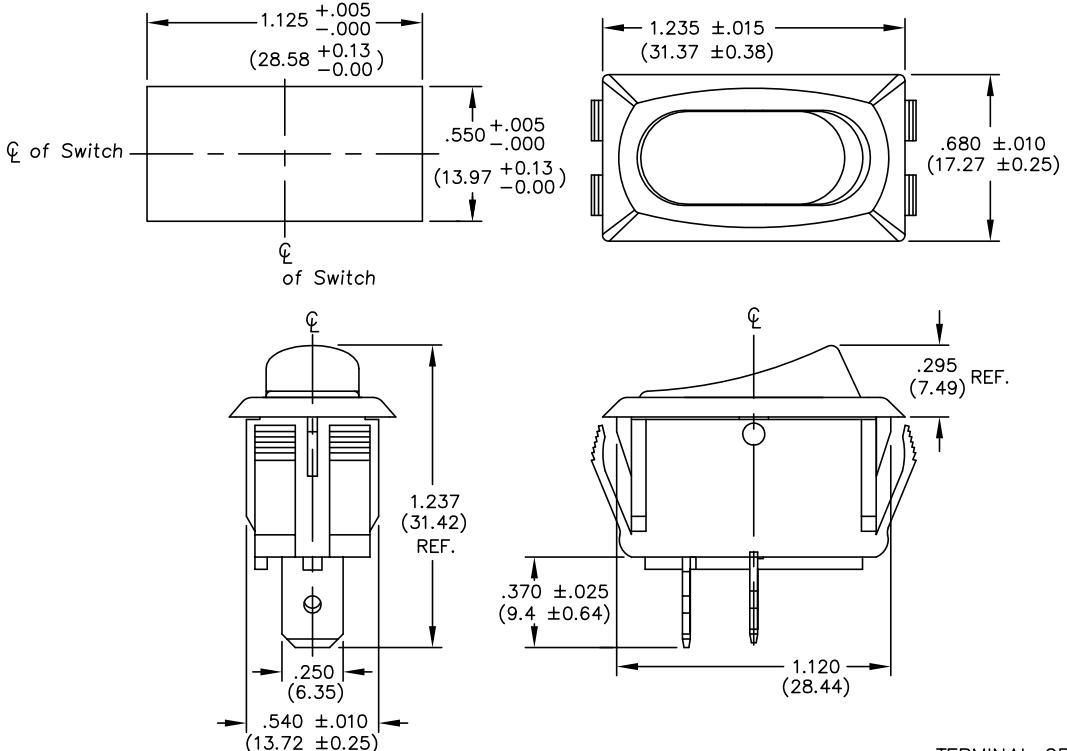


THIS INFORMATION IS CONFIDENTIAL AND PROPRIETARY TO CW INDUSTRIES INCORPORATED AND ITS AFFILIATES. IT MAY NOT BE DISCLOSED TO ANYONE OTHER THAN CW INDUSTRIES PERSONNEL, WITHOUT WRITTEN AUTHORIZATION FROM CW INDUSTRIES INCORPORATED, SOUTHAMPTON, PENNSYLVANIA USA.

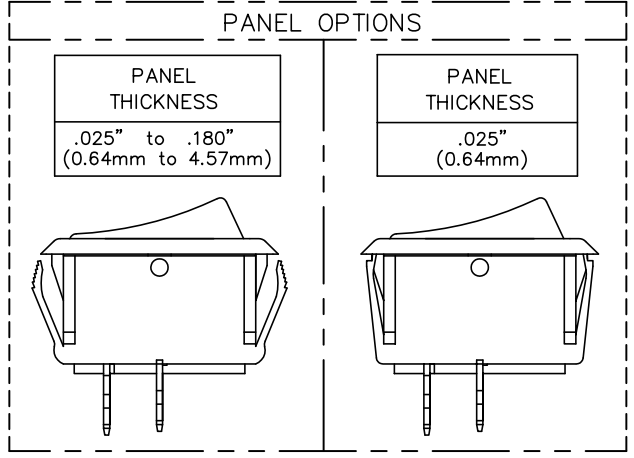
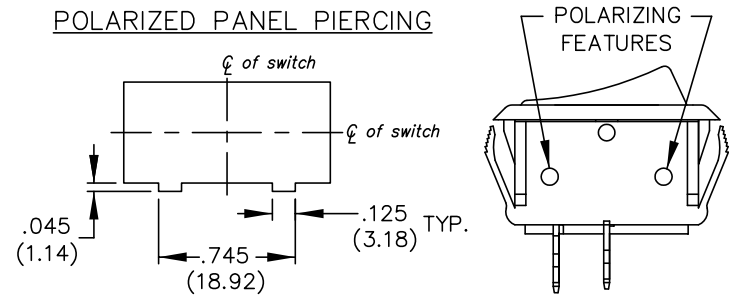
DIMENSIONS IN INCHES (MILLIMETERS)  
DO NOT SCALE DRAWING .....

Dwg. No.  
GRS-2011-24XX

PANEL PIERCING



POLARIZED OPTION



TERMINAL OPTIONS:

- .250" Wide Terminal is standard.  
(As Shown in Drawing)
- .187" Wide Terminal is optional.

(MATTE FINISH)

B-FORMAT 2002	REVISIONS									

PDF FILE MADE	<b>ew INDUSTRIES</b> Southampton, Pa. 18966	Title: <b>ROCKER SWITCH S.P.S.T. ASSEMBLY STYLE LINE 1.125" x .550" PANEL</b>
	TOLERANCES UNLESS OTHERWISE SPECIFIED	
	2 Place Decimal ±.010      METRIC 3 Place Decimal ±.005      1 Place Dec. ±.25mm Angles ..... ±1'            2 Place Dec. ±.13mm	
	Made for: CW IND.	Division: SWITCH
	Drawn by: DGW 6-16-2010	Dwg. No. GRS-2011-24XX
Checked by:		
Approval:		