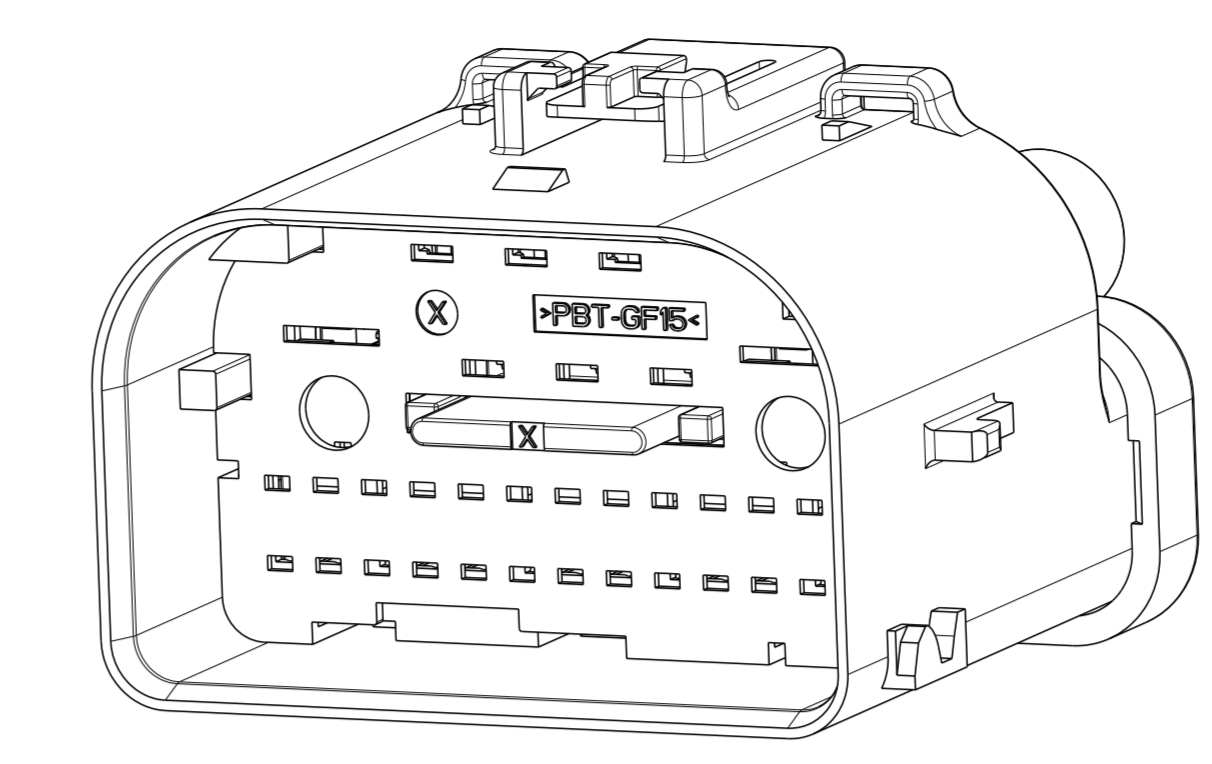
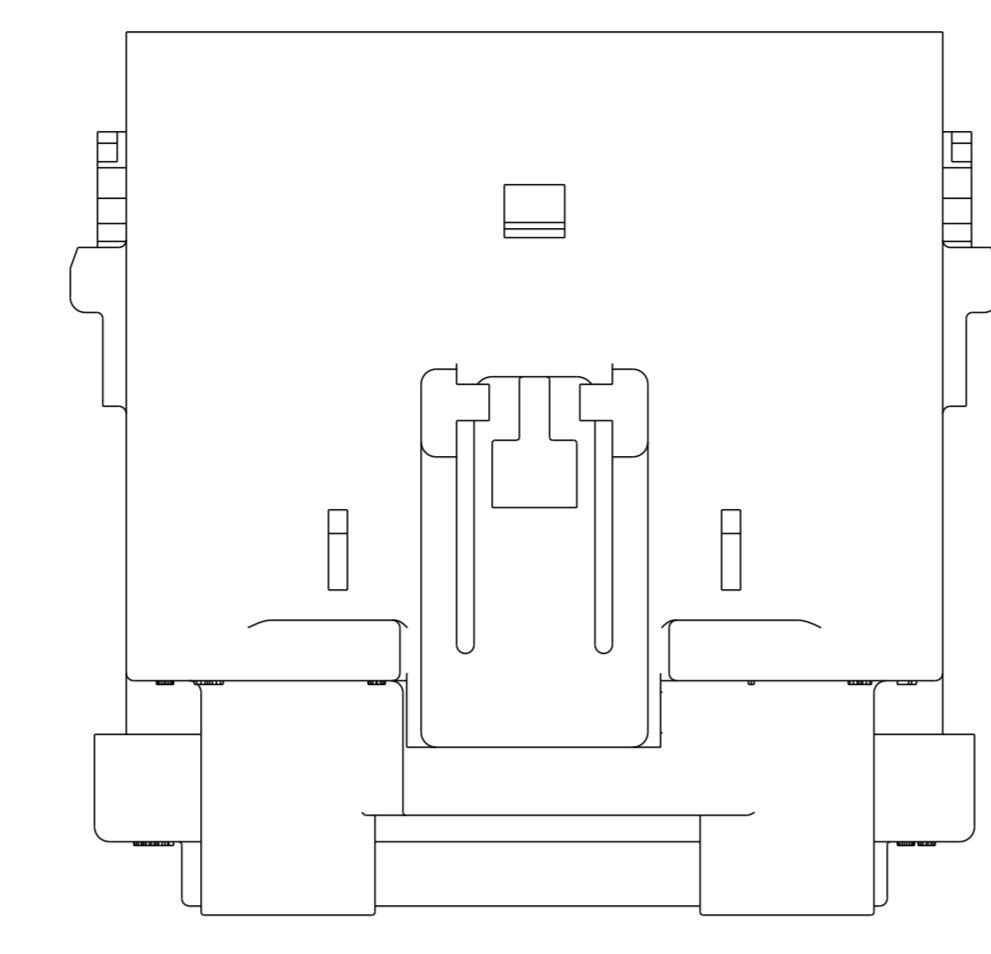
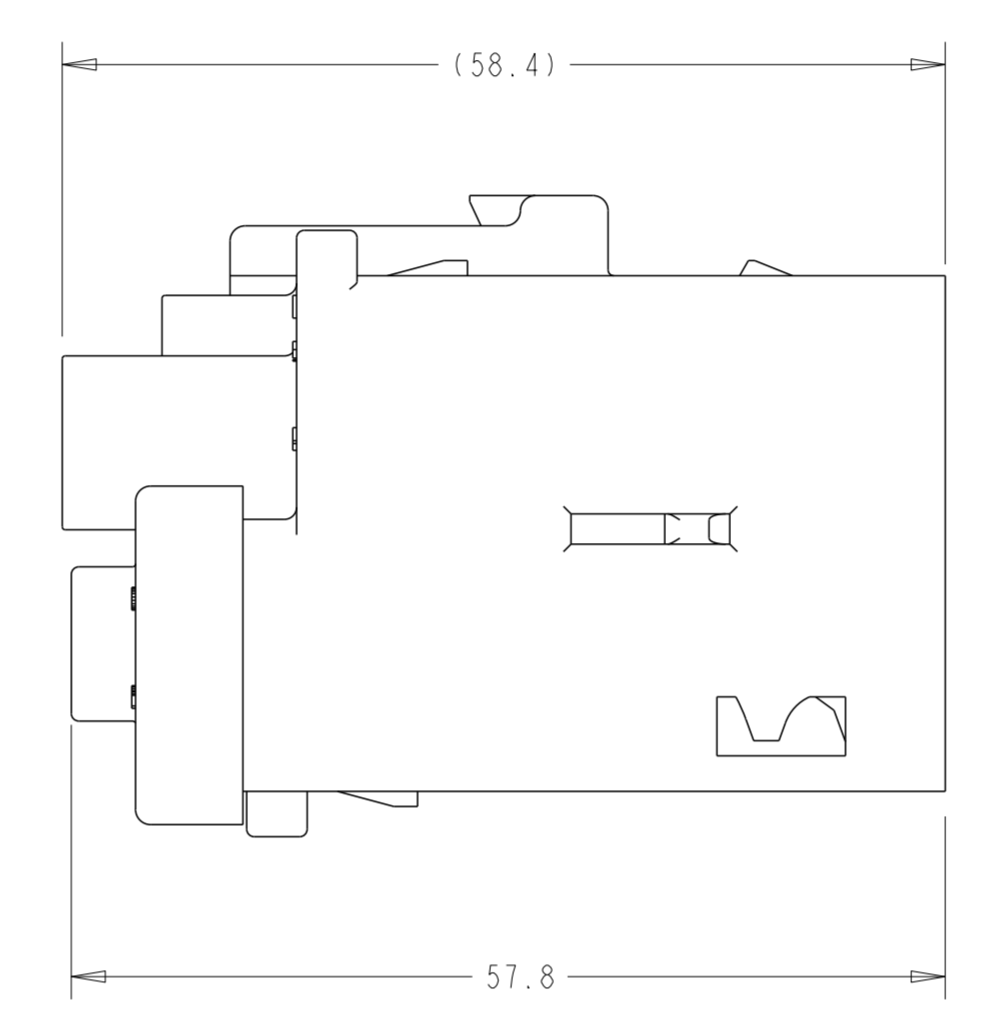
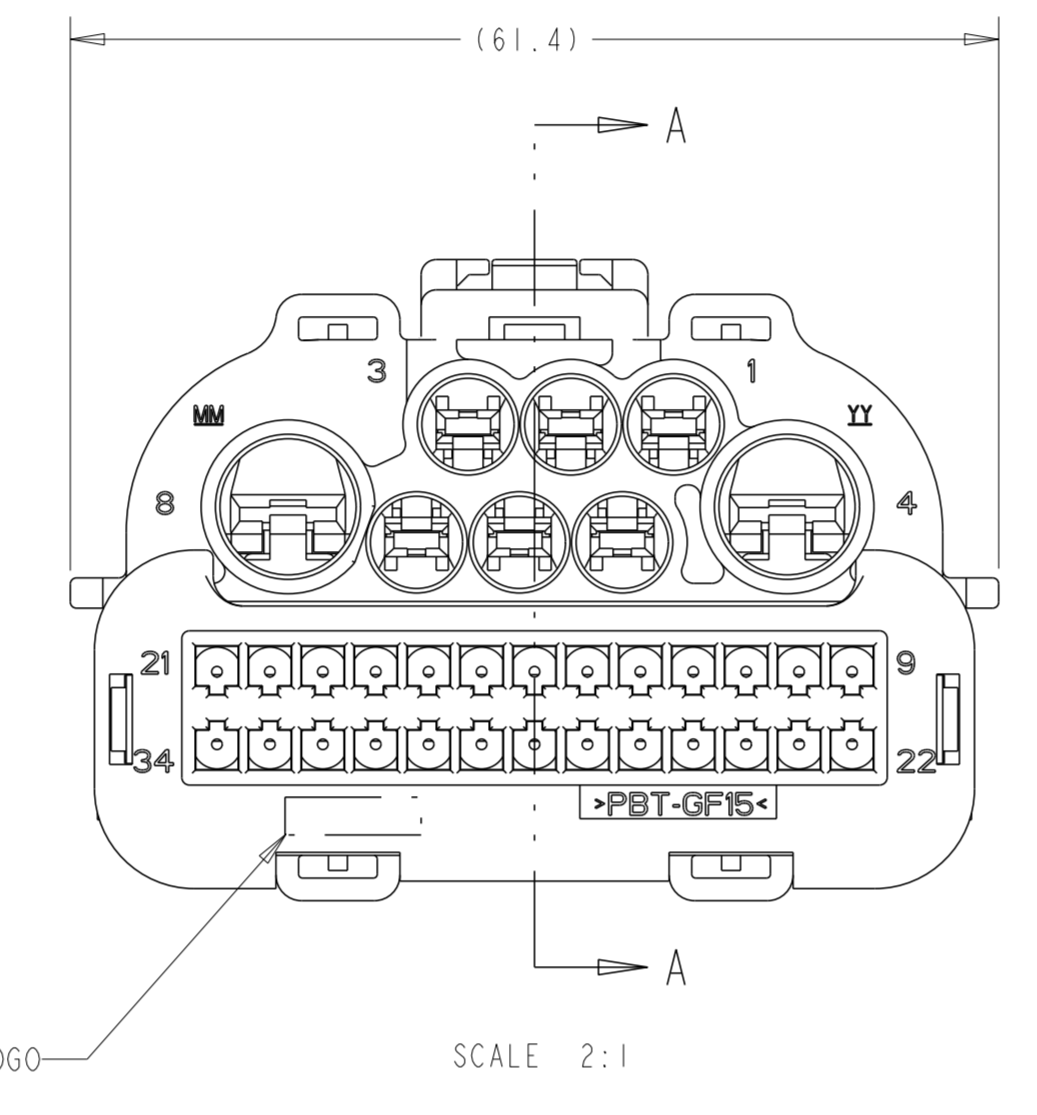
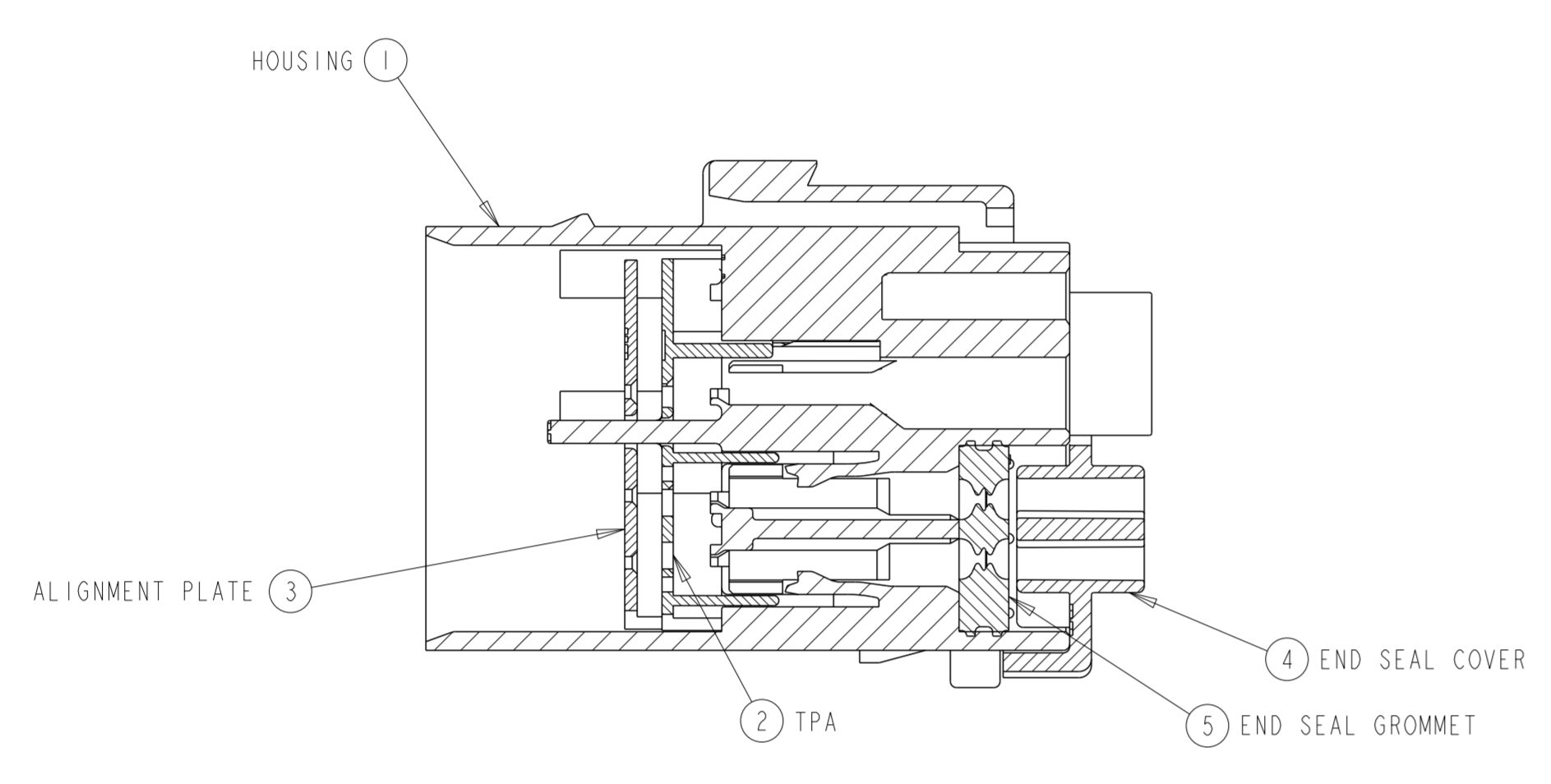


REVISIONS				
REV	DATE	DESCRIPTION	BY	APPD
A33		REVISED PER ECO-16-015393	20021014	DD GR
A34		REVISED PER ECO-16-017815	09020114	DD GR
A35		REVISED PER ECO-17-003501	20040211	DD GR

LIST OF PARTS									
QTY. REQUIRED			ITEM	DESCRIPTION	COLOR	SUPPLIER PART NUMBER	MATERIAL SPECIFICATION	RECYCLING CODE	WEIGHT (GRAM)
INDEX C	INDEX B	INDEX A							
-	-	1	1	HOUSING, KEYING OPTION 'A'	BLACK	0-1587054-1	30% GF PBT	>PBT-GF30<	TBD
-	1	-	1	HOUSING, KEYING OPTION 'B'	GRAY	0-1587054-2	30% GF PBT	>PBT-GF30<	TBD
1	-	-	1	HOUSING, KEYING OPTION 'C'	NATURAL	0-1587054-3	30% GF PBT	>PBT-GF30<	TBD
1	1	1	2	TPA	RED	0-1587055-1	15% GF PBT	>PBT-GF15<	TBD
1	1	1	3	ALIGNMENT PLATE	NATURAL	0-1587056-1	15% GF PBT	>PBT-GF15<	TBD
1	1	1	4	END SEAL COVER	BLACK	0-1587057-1	15% GF PBT	>PBT-GF15<	TBD
1	1	1	5	END SEAL GROMMET	LT GREEN	0-1587058-1	SILICON	>VMQ<	TBD

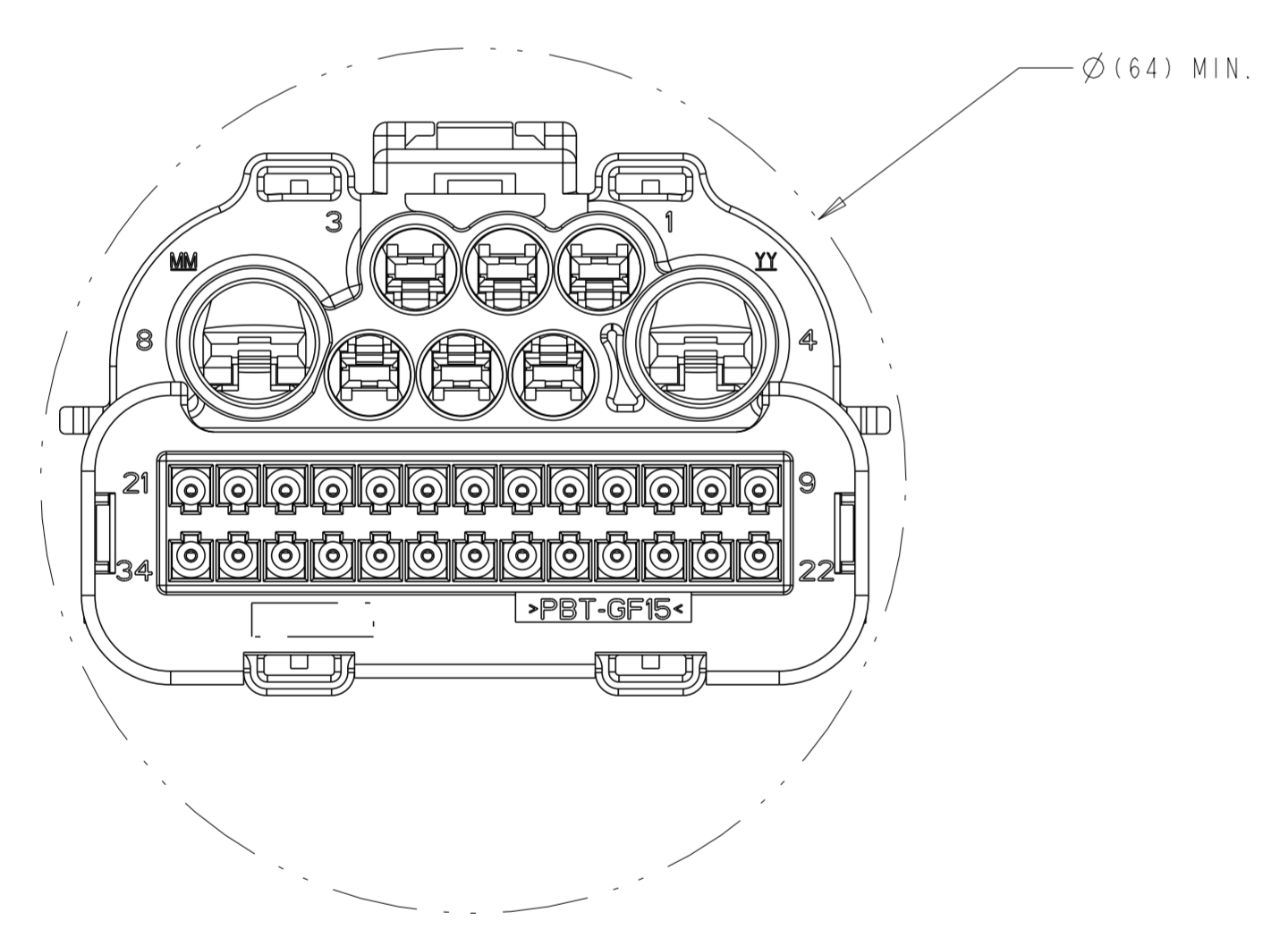


- PART MUST CONFORM TO THE USCAR-2 SPECIFICATION, DATED 07/DEC/00 (REVISION 3).
 - 0.2mm MAXIMUM RADIUS PERMISSIBLE ON EDGES AND FILLETS SHOWN AS SHARP FOR PLASTIC PARTS.
 - PRODUCTION DATE CODE AND PINOUT CODE MUST BE LEGIBLE AND PERMANENTLY APPLIED WHEREVER PACKAGE SIZE PERMITS OR OTHER AGREEMENTS ARE MADE.
 - MATES WITH ASSEMBLY SHOWN ON DRAWING 1438841.
- ⚠ SEE TE INSTRUCTION SHEET 408-8911 FOR PROPER POSITIONING OF TPA AND TE INSTRUCTION SHEET 408-8832 FOR APPLICATION USE OF CONNECTOR SYSTEM.
- ⚠ TERMINAL CAVITIES 9-34 ARE RESTRICTED TO WIRE OD RANGE OF 1.20-2.34mm.

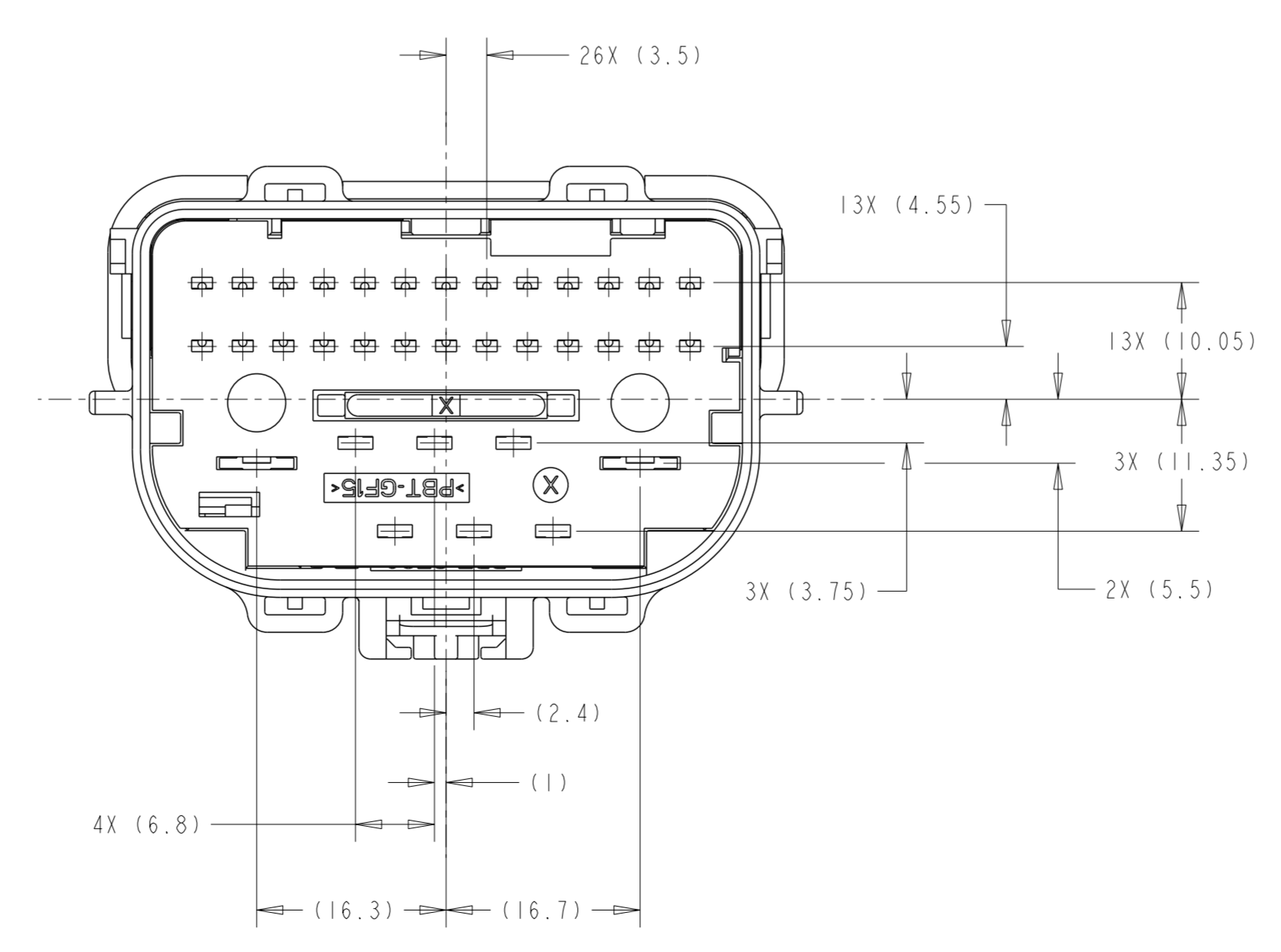
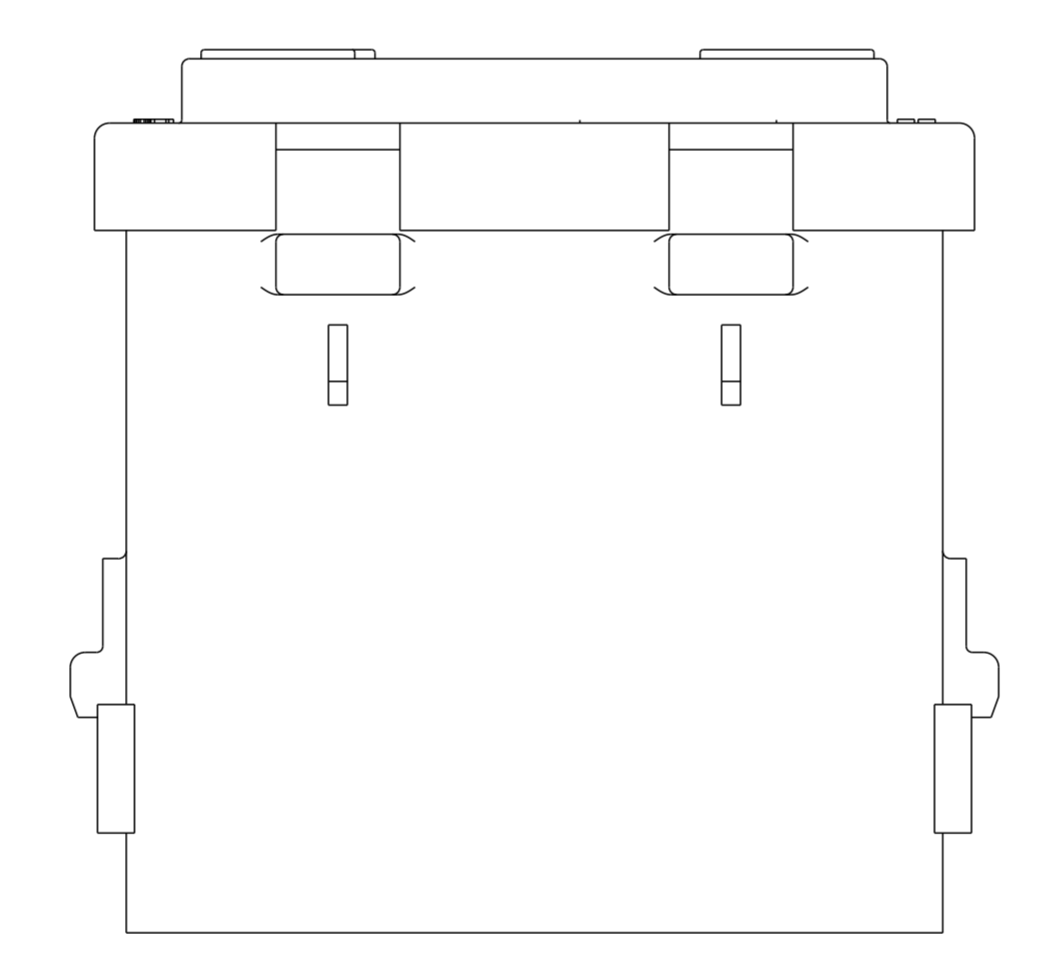


SECTION A-A
TPA AND ALIGNMENT PLATE
IN PRE-SEATED POSITION

SCALE 2:1



MIN. FEED THRU CONDITION
WITH 1mm CLEARANCE ALL AROUND
SCALE 2:1



APPLICABLE COMPONENTS (FOR REFERENCE ONLY)				APPLICABLE WIRE SIZES (FOR REFERENCE ONLY)	COMPONENT MATING PART NUMBER
DESCRIPTION	COLOR/PLATING	SUPPLIER	SUPPLIER PART NUMBER		
TERMINAL - MALE 1.5mm	TIN	MOLEX	33000-0002	16 AWG 18-20 AWG OR METRIC EQUIVALENT	33012-2001 33012-2002
TERMINAL - MALE 1.5mm	TIN	MOLEX	33000-0003	22 AWG OR METRIC EQUIVALENT	33012-2003
TERMINAL - MALE 2.8mm	TIN	TE	1326031-2	20 AWG OR METRIC EQUIVALENT	1326032-2
TERMINAL - MALE 2.8mm	TIN	TE	1326031-3	18 AWG OR METRIC EQUIVALENT	1326032-3
TERMINAL - MALE 2.8mm	TIN	TE	1326031-4	16 AWG OR METRIC EQUIVALENT	1326032-4
TERMINAL - MALE 2.8mm	TIN	TE	1326031-5	14 AWG OR METRIC EQUIVALENT	1326032-5
TERMINAL - MALE 2.8mm	TIN	TE	1-1326031-1	12 AWG OR METRIC EQUIVALENT	1326032-6
CABLE SEAL - 2.8mm	GREEN	YAZAKI	7158-3111-60	1.2-1.9mm WIRE O.D.	N/A
CABLE SEAL - 2.8mm	YELLOW	YAZAKI	7158-3112-70	1.8-2.3mm WIRE O.D.	N/A
CABLE SEAL - 2.8mm	WHITE	YAZAKI	7158-3113-40	2.1-3.0mm WIRE O.D.	N/A
CABLE SEAL - 2.8mm	LT GRAY	YAZAKI	7158-3110-40	3.1-3.3mm WIRE O.D.	N/A
TERMINAL - MALE 6.3mm	TIN	YAZAKI	7114-4140-02	20-16 AWG OR METRIC EQUIVALENT	7116-4140-02
TERMINAL - MALE 6.3mm	TIN	YAZAKI	7114-4141-02	14 AWG OR METRIC EQUIVALENT	7116-4141-02
TERMINAL - MALE 6.3mm	TIN	YAZAKI	7114-4142-02	12 AWG OR METRIC EQUIVALENT	7116-4142-02
TERMINAL - MALE 6.3mm	TIN	YAZAKI	7114-4143-02	10 AWG OR METRIC EQUIVALENT	7116-4143-02
CABLE SEAL - 6.3mm	RED	YAZAKI	7158-3081-50	1.4-2.3mm WIRE O.D.	N/A
CABLE SEAL - 6.3mm	BLUE	YAZAKI	7158-3082-90	2.1-3.0mm WIRE O.D.	N/A
CABLE SEAL - 6.3mm	BLACK	YAZAKI	7158-3083	3.0-3.8mm WIRE O.D.	N/A
CABLE SEAL - 6.3mm	LT GRAY	YAZAKI	7158-3084-40	3.8-4.05mm WIRE O.D.	N/A
CAVITY PLUG - 2.8mm	BLUE	YAZAKI	7158-3114-90	N/A	N/A
CAVITY PLUG - 6.3mm	GREEN	YAZAKI	7158-3080-60	N/A	N/A

NOTE: SEE SUPPLIER DRAWINGS FOR LATEST INFORMATION AND CRIMP SPECIFICATIONS.

THIS DRAWING IS A CONTROLLED DOCUMENT. DIMENSIONS IN PARENTHESES INDICATE OPERATING SPECIFICATIONS.

DATE: 07/13/13

REV: 1

SCALE: 2:1

SHEET 1 OF 5

STE TE Connectivity

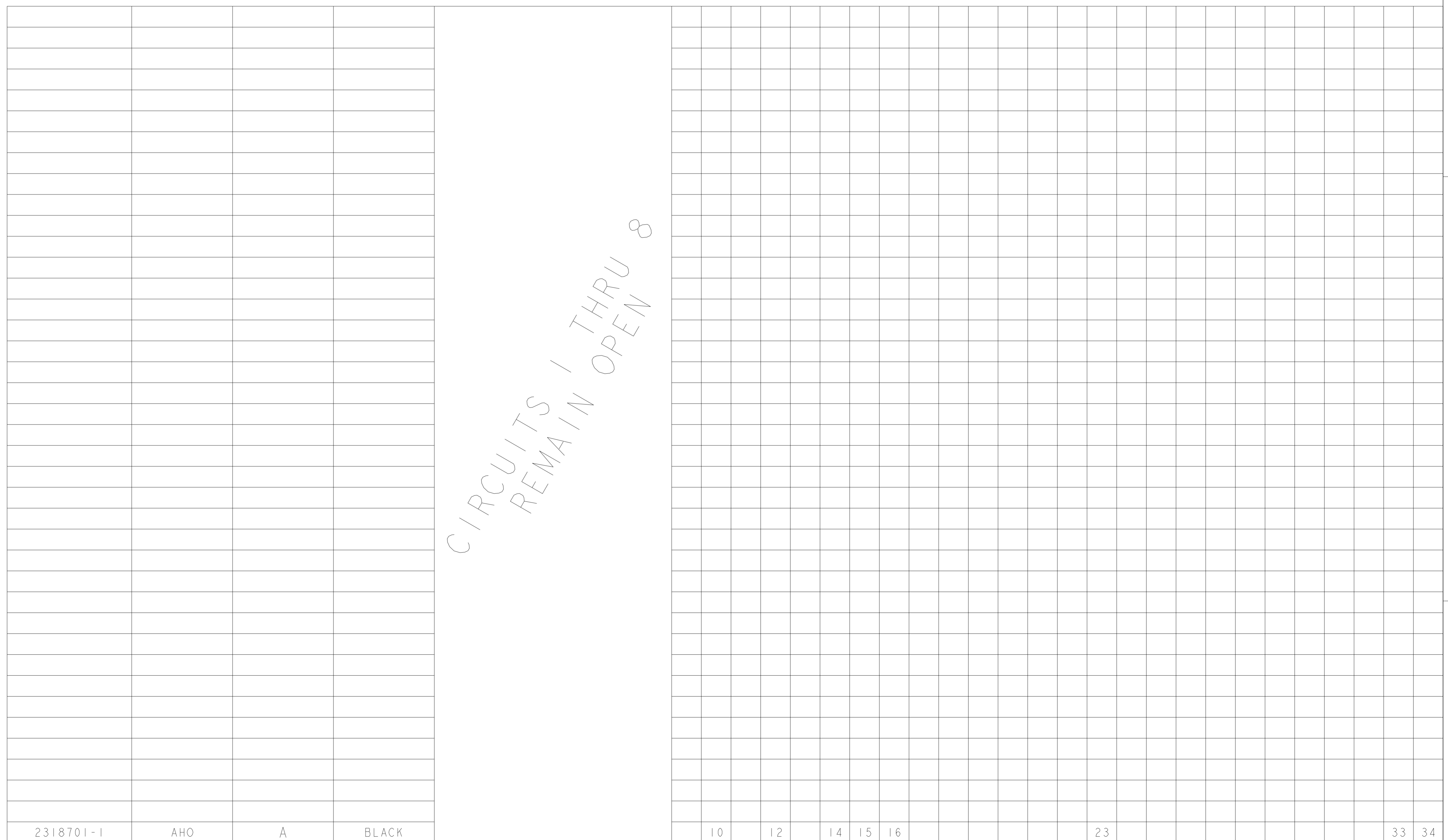
NAME: CAP ASSEMBLY, 34 WAY, SEALED, HYBRID, MALE

SIZE: 00779

CAGE CODE: 1438842

RESTRICTED TO: A35

REVISIONS			
REV	DATE	BY	APPD
-	-	-	-
-	-	-	-
-	-	-	-



TE P/N	PINOUT ID CODE	INDEX (KEY)	COLOR	1	2	3	4	5	6	7	8	9	10	11	12	13	14	15	16	17	18	19	20	21	22	23	24	25	26	27	28	29	30	31	32	33	34
2318701-1	AHO	A	BLACK										10		12		14	15	16							23										33	34

BLOCKED CAVITIES INDICATED BY A NUMERIC SYMBOL IN THAT CIRCUIT LOCATION

THIS DRAWING IS A CONTROLLED DOCUMENT. **STE** TE Connectivity

DIMENSIONS: DIM: 0 P/LC Ø0.3 1 P/LC Ø0.3 2 P/LC Ø0.1 3 P/LC Ø0.1 4 P/LC Ø0.1 ANGLE: 90°	THIS DRAWING IS A CONTROLLED DOCUMENT. IN: DL DRUMMOND 19OCT2004 CHK: T.L. COBLE 19OCT2004 APP: T.L. COBLE 19OCT2004 PRODUCT SPEC: - APPLICATION SPEC: - WEIGHT: - FINISH: - CUSTOMER DRAWING	NAME: CAP ASSEMBLY, 34 WAY, SEALED, HYBRID, MALE SIZE: A0 CASE CODE: 00779 DRAWING NO: 1438842 SHEET 5 OF 5 SCALE: 2:1 RESTRICTED TO: -
---	---	---