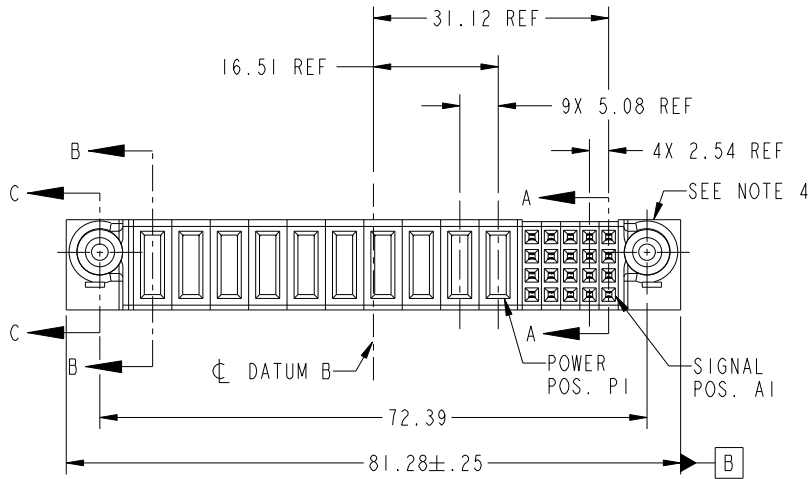


Tous droits strictement réservés. Reproduction ou communication a des tiers interdite sous quelque forme que ce soit sans autorisation écrite du propriétaire. Propriété de c.FCI. Droits de reproduction FCI.

All rights strictly reserved. Reproduction or issue to third parties in any form whatever is not permitted without written authority from the proprietor. Property of FCI. Copyright FCI.



PRODUCT NO. 51940-222-- NOTE: 3	ROWS D C B A	E2	POWER								SIGNAL					E1	
			P10	P9	P8	P7	P6	P5	P4	P3	P2	P1	5	4	3		2
			PC	PC	PC	PC	PC	PC	PC	PC	PC	F	F	F	F	F	



CODE	DIM "M" MATING LENGTH	CONTACT TYPE
PC	[1.07]	POWER
F	[N/A]	SIGNAL

mat'l code				SEE NOTES		tolerances unless otherwise specified		CUSTOMER		FCI	
lir	ecn no.	dr	date	linear	0.X ± 0.3	COPY		www.fciconnect.com		title	
A	DG07-0108	JULIA	03/24/07	angles	0.XX ± 0.13	projection		20S + 10P		VERTICAL PRESS-FIT RECEPT	
					0.XXX ± 0.051	MM		product family		code	
				dr	0° ± 2°	scale		PwrBlade		213	
				enrg	JULIA WANG 03/24/07	1:1		size		sheet	
				chr	RYAN YUAN 03/24/07			A		1 of 4	
				appd	GARY HSIEH 03/24/07			51940-222			
sheet index	revision sheet	A	A	A	A						
		1	2	3	4						

A

A

B

B

1 | 2

Pro/E

PDM: Rev: A

STATUS: Released

Printed: Dec 20, 2010

cage code 22506

4

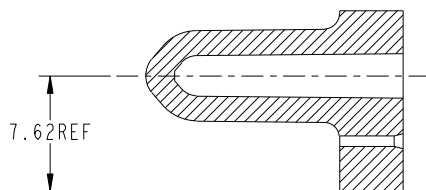
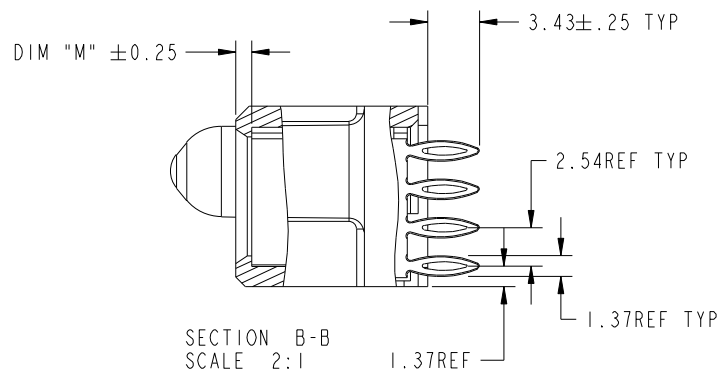
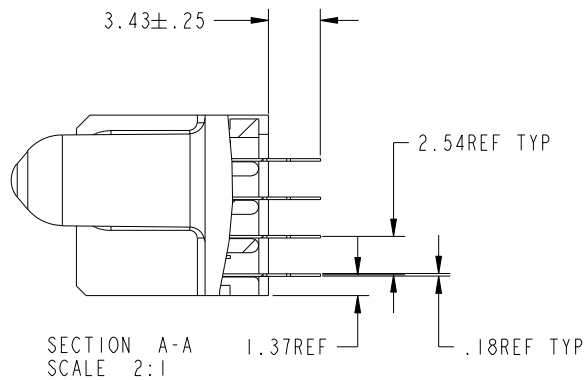
Tous droits strictement reserves. Reproduction ou communication a des tiers interdite sous quelque forme que ce soit sans autorisation ecrite du proprietaire. Propriete de c FCI. Droits de reproduction FCI.

All rights strictly reserved. Reproduction or issue to third parties in any form whatever is not permitted without written authority from the proprietor. Property of FCI. Copyright FCI.



PRODUCT NUMBER

51940-222-
NOTE: 3



mat'l code				tolerances unless otherwise specified		CUSTOMER		FCI	
lir	ecn no.	dr	date	linear	0.X ± 0.3	COPY		www.fciconnect.com	
A				linear	0.XX ± 0.13	projection		title	
				angles	0.XXX ± 0.051	⊕ ↗		20S + 10P VERTICAL PRESS-FIT RECEPT	
				dr	JULIA WANG 03/24/07	MM		product family	
				engr	RYAN YUAN 03/24/07	↔		PwrBlade	
				chr	GARY HSIEH 03/24/07	scale		code	
				appd	JOSEPH HSIA 03/24/07	1:1		213	
sheet index		revision sheet						size	
								dwg no	
								A 51940-222	
								sheet	
								2 of 4	

cage code 2256

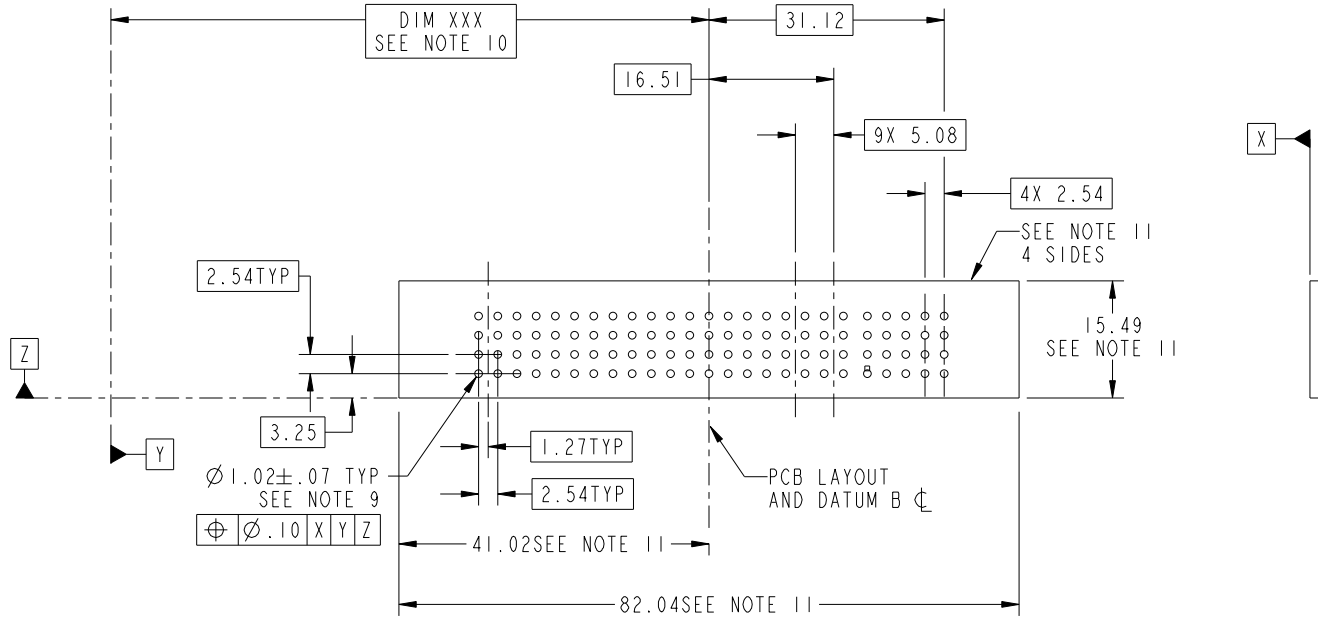
Tous droits strictement reserves. Reproduction ou communication a des tiers interdite sous quelque forme que ce soit sans autorisation ecrite du proprietaire. Propriete de c.FCI. Droits de reproduction FCI.

All rights strictly reserved. Reproduction or issue to third parties in any form whatever is not permitted without written authority from the proprietor. Property of FCI. Copyright FCI.



PRODUCT NUMBER

51940-222--
NOTE: 3



mat'l code				tolerances unless otherwise specified		CUSTOMER		 www.fciconnect.com	
lir	ecn no.	dr	date	linear	0.X ±0.3	COPY		title	
A				linear	0.XX ±0.13	projection		20S + 10P	
				angles	0.XXX ±0.051			VERTICAL PRESS-FIT RECEPT	
				dr	JULIA WANG 03/24/07	MM		product family PwrBlade	
				enr	RYAN YUAN 03/24/07	scale		code	
				chr	GARY HSIEH 03/24/07	1:1		213	
				appd	JOSEPH HSIA 03/24/07	size		sheet	
sheet index		revision sheet				A		3 of 4	
						51940-222			

cage code 2256

Pro/E

PDM: Rev: A

STATUS: Released

Printed: Dec 20, 2010

Tous droits strictement réservés. Reproduction ou communication a des tiers interdite sous quelque forme que ce soit sans autorisation écrite du propriétaire. Propriété de c.FCI. Droits de reproduction FCI.

All rights strictly reserved. Reproduction or issue to third parties in any form whatever is not permitted without written authority from the proprietor. Property of FCI. Copyright FCI.



1 | 2

3

4

PRODUCT NUMBER

51940-222--
NOTE: 3

NOTES:

1. DIMENSIONS AND TOLERANCES ARE IN ACCORDANCE WITH ASME Y14.5M, 1994 UNLESS OTHERWISE SPECIFIED.

CONNECTOR NOTES:

- ② HOUSING MATERIAL: UL 94 V-0 GLASS FILLED
HIGH-TEMP THERMOPLASTIC
POWER CONTACT MATERIAL: COPPER ALLOY
SIGNAL PIN MATERIAL: COPPER ALLOY
- 3. PLATING SPEC.
51940-222,51940-222LF PLATING SPEC. WAS SHOWN IN THE PRINT OF 10064183.
- ④ MANUFACTURER'S NAME, P/N, AND DATE CODE TO APPEAR ON THIS SURFACE.
- 5. PRODUCT SPECIFICATION GS-12-149.
APPLICATION SPECIFICATION BUS-20-067.
- 6. PACKAGED IN TRAYS.

PCB NOTES:

- 7. ALL HOLE DIAMETERS ARE FINISHED HOLE SIZE.
- ⑧ MOUNTING HOLES, WHERE APPLICABLE, ARE UNPLATED.
- ⑨ $\varnothing 1.151 \pm 0.025$ DRILLED HOLES PLATED WITH
0.008 MIN SnPb OR Sn OVER 0.03
TO 0.08 Cu PLATING TO ACHIEVE
 $\varnothing 1.02 \pm .07$ HOLE.
- ⑩ "DIM XXX" TO BE DETERMINED BY THE CUSTOMER.
- ⑪ CONNECTOR KEEP-OUT ZONE.

mat'l code				tolerances unless otherwise specified		CUSTOMER		FCI		www.fciconnect.com	
lfr	ecm no.	dr	date	linear	0.X ±0.3		COPY		projection	title	
A					0.XX ±0.13		⊕			20S + 10P	
					0.XXX ±0.051		⊕			VERTICAL PRESS-FIT RECEPT	
				angles	0° ±2°		MM		product family		
				dr	JULIA WANG	03/24/07	←		PwrBlade		code
				enrg	RYAN YUAN	03/24/07	→		size	dwg no	213
				chr	GARY HSIEH	03/24/07	scale		A	51940-222	sheet
				appd	JOSEPH HSIA	03/24/07	1:1				4 of 4
sheet index	revision sheet										

1 | 2

Pro/E

PDM: Rev: A

STATUS: Released

Printed: Dec 20, 2010

cage code 22516

4