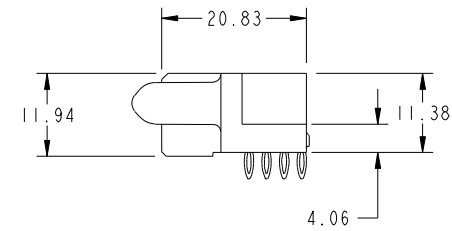
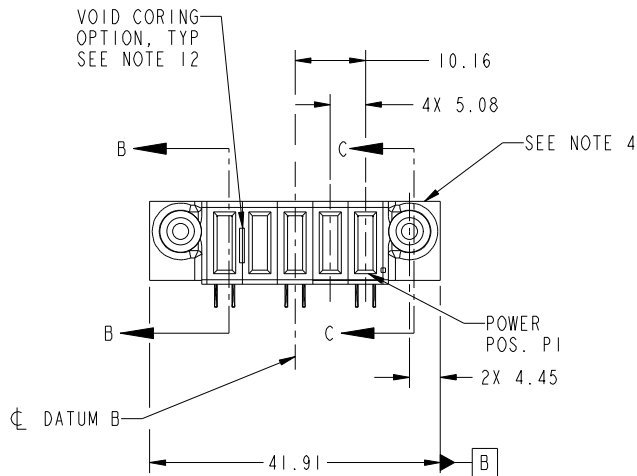


Tous droits strictement reserves. Reproduction ou communication a des tiers interdite sous quelque forme que ce soit sans autorisation écrite du propriétaire. Propriete de c FCI. Droits de reproduction FCI.



All rights strictly reserved. Reproduction or issue to third parties in any form whatever is not permitted without written authority from the proprietor. Property of FCI. Copyright FCI.

PRODUCT NO.	POWER						
	E2	P5	P4	P3	P2	P1	E1
51866-045_- NOTE 3							



CODE	DIM "M" MATING LENGTH	CONTACT TYPE
PE	[1.07]	POWER
X	OMITTED	

mat'l code				SEE NOTE 2		tolerances unless otherwise specified		CUSTOMER		FCI	
ltr	ecn no.	dr	date	linear	0.X ± 0.5	projection	www.fciconnect.com				
A	DG09-0227	WL	06/07/09	angles	0.XX ± 0.25		title		5 P		
				dr	0.XXX ± 0.1	scale	R/A PF RECEPTACLE		product family PwrBlade code		
				enr	0° ± 2°	1:1	size		213		
				chr	WL ZHANG 07/10/09		dwg no		sheet		
				appd	Warren Du 07/10/09		51866-045		1 of 4		
					PM ZHENG 07/10/09		A				
					Joseph Hsia 07/10/09		cage code		22526		
sheet index	revision sheet	A	A	A	A						
		1	2	3	4						

Pro/E

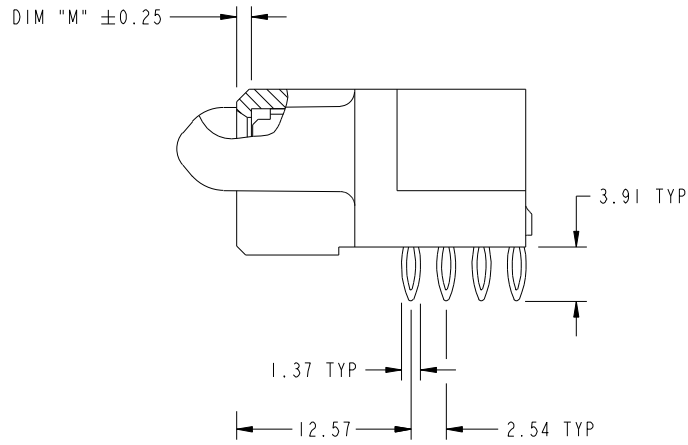
cage code 22526

Tous droits strictement reserves. Reproduction ou communication a des tiers interdite sous quelque forme que ce soit sans autorisation écrite du propriétaire. Propriete de c FCI. Droits de reproduction FCI.

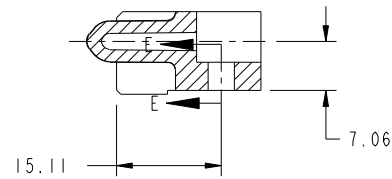


All rights strictly reserved. Reproduction or issue to third parties in any form whatever is not permitted without written authority from the proprietor. Property of FCI. Copyright FCI.

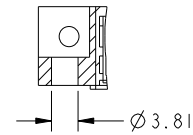
PRODUCT NUMBER  
51866-045--  
NOTE 3



BROKEN-OUT SECTION B-B  
SCALE 2:1



SECTION C-C



PARTIAL SECTION E-E

mat'l code				SEE NOTE 2		tolerances unless otherwise specified		CUSTOMER		FCI	
ltr	ecr no.	dr	date	linear	0.X ±0.5	COPY		www.fciconnect.com		title	
A					0.XX ±0.25	projection		5 P		R/A PF RECEPTACLE	
				angles	0.XXX ±0.1			product family		code	
				dr	0° ±2°			PwrBlade		213	
				enr	WL ZHANG 07/10/09	scale		size		sheet	
				chr	Warren Du 07/10/09	1:1		dwg no		2 of 4	
				appd	PM ZHENG 07/10/09			51866-045			
					Joseph Hsia 07/10/09			A			
sheet index	revision sheet										

cage code 22526

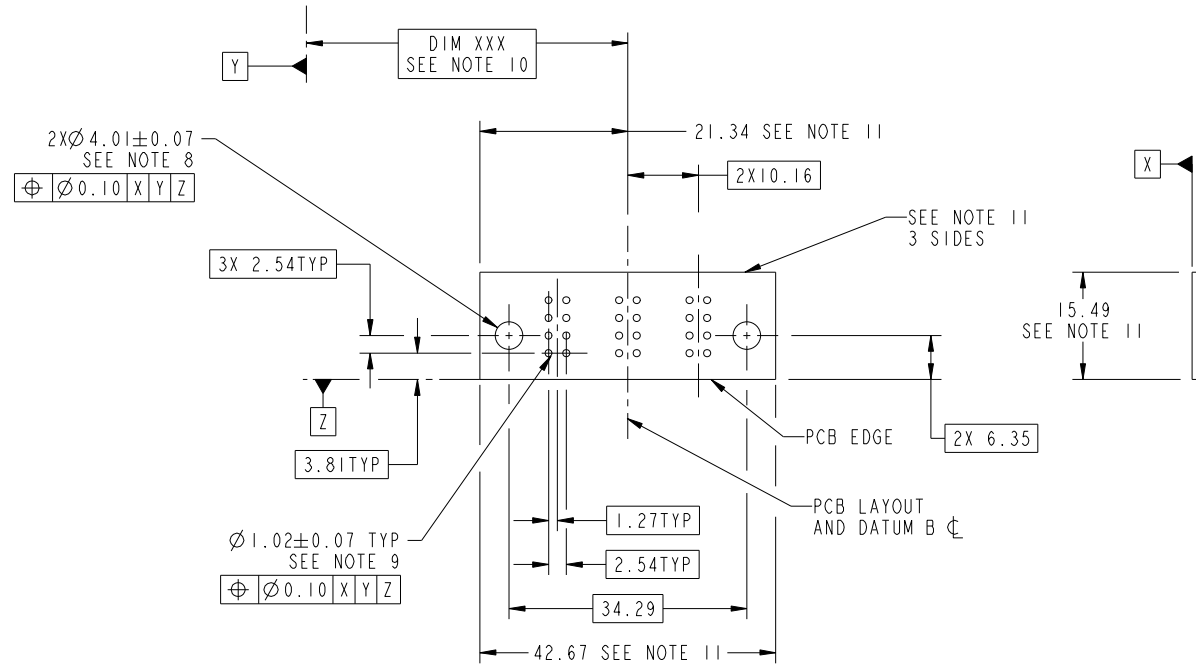
Pro/E

Tous droits strictement reserves. Reproduction ou communication a des tiers interdite sous quelque forme que ce soit sans autorisation écrite du propriétaire. Propriete de c FCI. Droits de reproduction FCI.



All rights strictly reserved. Reproduction or issue to third parties in any form whatever is not permitted without written authority from the proprietor. Property of FCI. Copyright FCI.

PRODUCT NUMBER  
51866-045--  
NOTE 3



RECOMMENDED PCB LAYOUT

mat'l code		SEE NOTE		tolerances unless otherwise specified		CUSTOMER		FCI	
ltr	ecn no.	dr	date	linear	0.X ±0.5	COPY		www.fciconnect.com	
A				angles	0.XX ±0.25	projection		title	
				dr	0.XXX ±0.1	MIM		5 P	
				enr	0° ±2°	scale		R/A PF RECEPTACLE	
				chr	WL ZHANG 07/10/09	1:1		product family	
				appd	Warren Du 07/10/09	A		PwrBlade	
					PM ZHENG 07/10/09			code	
					Joseph Hsia 07/10/09			213	
sheet index	revision sheet							size	
								dwg no	
								51866-045	
								sheet	
								3 of 4	

cage code 22526

Pro/E

Tous droits strictement reserves. Reproduction ou communication a des tiers interdite sous quelque forme que ce soit sans autorisation écrite du propriétaire. Propriete de c FCI. Droits de reproduction FCI.

All rights strictly reserved. Reproduction or issue to third parties in any form whatever is not permitted without written authority from the proprietor. Property of FCI. Copyright FCI.



PRODUCT NUMBER  
51866-045--  
NOTE 3

NOTES:

1. DIMENSIONS AND TOLERANCES ARE IN ACCORDANCE WITH ASME Y14.5M, 1994 UNLESS OTHERWISE SPECIFIED.

CONNECTOR NOTES:

- 2. HOUSING MATERIAL: UL 94 V-0 GLASS FILLED HIGH-TEMP THERMOPLASTIC  
POWER CONTACT MATERIAL: COPPER ALLOY  
SIGNAL PIN MATERIAL: COPPER ALLOY
- 3. PLATING:  
SEE ITEM 7 & 8 IN PRINT 10064183 FOR PLATING SPEC OF 51866-045; 51866-045LF PRESPECTIVELY.
- 4. MANUFACTURER'S NAME, P/N, AND DATE CODE TO APPEAR ON THIS SURFACE.
- 5. PRODUCT SPECIFICATION GS-12-149.  
APPLICATION SPECIFICATION BUS-20-067.
- 6. PACKAGED IN TRAYS.

PCB NOTES:

- 7. ALL HOLE DIAMETERS ARE FINISHED HOLE SIZE.
- 8. MOUNTING HOLES, WHERE APPLICABLE, ARE UNPLATED.
- 9.  $\varnothing 1.151 \pm 0.025$  DRILLED HOLES PLATED WITH 0.008 MIN SnPb OR Sn OVER 0.03 TO 0.08 Cu PLATING TO ACHIEVE  $\varnothing 1.02 \pm .07$  HOLE.
- 10. "DIM XXX" TO BE DETERMINED BY THE CUSTOMER.
- 11. CONNECTOR KEEP-OUT ZONE.
- 12. THE VOID CORING IN BETWEEN POWER MODULES, SIGNAL MODULES AND END MODULES ARE OPTIONAL AND THE SHAPE MAY BE DIFFERENT FOR OPTIMIZE THE MOLDING PROCESS. THE VOID CORING WILL NOT EFFECT TO PRODUCT FUNCTION.
- 13. USE FCI CAM TOOL 430140-XXX TO APPLY CONNECTOR TO PCB.

mat'l code				SEE NOTE 2		tolerances unless otherwise specified		CUSTOMER		FCI www.fciconnect.com	
ltr	ecr no.	dr	date	linear	0.X ± 0.5		COPY		projection	title	
A					0.XX ± 0.25		MIM			5 P R/A PF RECEPTACLE	
					0.XXX ± 0.1		← MIM →			product family PwrBlade code	
				angles	0° ± 2°		scale		size		
				dr	WL ZHANG	07/10/09	1:1		dwg no		
				enr	Warren Du	07/10/09	A		51866-045		
				chr	PM ZHENG	07/10/09			sheet		
				appd	Joseph Hsia	07/10/09			4 of 4		
sheet index		revision sheet									

cage code 22526

Pro/E