

Piezo Switch Prolonged Signal



PSE M22 IV

PSE M22 RI Multicolor



**Description**

- Available in version Standard and lettered, from diameter 22 mm with Point Illumination or Ring Illumination
- Multicolor: flexible input voltage from 5 - 28 VDC at constant brightness
- with color combination RGB and RGY
- 7 possible colors with RGB configuration
- 3 possible colors with RGY configuration
- Assembly by mounting with nut
- Pins, Wire, Crimp Terminal male or Cable with Faston

**Unique Selling Proposition**

- Variety of design options regarding size, colour, shape, connection or lettering
- High reliability, long lifetime with more than 20 mill. actuations
- Easy to clean due to a tightly closed surface (IP 69K)
- With multicolor ring illumination

**Approvals**

- EMC: EMC directive 2004/108/EWG
- DGUV Test Certificate: FW 11040 Requirements for Food Processing Equipment
- MIL-STD Certificate Number: 202F Method 107G, 202F Method 204D, 202F Method 213B, 416D Method RS103, 810E Method 501.3, 810E Method 502.3, 810E Method 507.3
- VDE Certificate Number: DIN EN 61000-4-2, DIN EN 61000-4-4, DIN EN 61000-4-5

**Characteristics**

- Housing material types: plastic, aluminum or stainless steel, ring illuminated version additionally made of polyamide
- piezo switch for a longer switching signal duration
- For use in harsh environments, both indoors and outdoors

**Other versions on request**

- switch with short switching pulse, type: PSE NO
- switch for explosion proof applications, type: PSE EX
- switch with enhanced vandal proof protection, type: PSE HI
- as keypad, type: Piezo Keypad

**References**

Alternative: switch normal operation: [PSE NO 16](#); [PSE NO 19](#); [PSE NO 22](#); [PSE NO 24](#); [PSE NO 27](#); [PSE NO 30](#)  
 Alternative: Other diameter [PSE IV 16](#); [PSE IV 19](#)  
 Alternative: Other diameter [PSE IV 30](#)

**Weblinks**

[html-datasheet](#), [General Product Information](#), [CE declaration of conformity](#), [RoHS](#), [CHINA-RoHS](#), [CAD-Drawings](#), [Product News](#), [Detailed request for product](#)

**Technical Data**

**Electrical Data**

Switching Function	N.O.
Supply Voltage	Ring Illumination VDC 12 / 24, 24 VDC Point Illumination,
Supply Voltage Multicolor	5 - 28 VDC
Switching Voltage	max. 32 / 48 VAC/DC
Switching Current	max. 1 A
Rated Breaking Capacity	10 W
Lifetime	20 million at Rated Switching Capacity
Switch Resistance OFF	> 10 MΩ
Switch Resistance ON	< 1 Ω
Capacity	30 pF
N.O. Closing Impulse Duration	15 sec depending on actuating force, time and speed. Longer impulse time up to 50 sec available on request.
Contact Configuration	free polarity

**Mechanical Data**

Actuating Force	≤ 3 N at centric actuation
Actuating Travel	0.002 mm
Shock Protection	IK 02
Tightening Torque	2.5 Nm

**Climatical Data**

Operating Temperature	-20 to +60 °C
Storage Temperature	-20 to +60 °C
IP-Protection	IP 67 acc. to IEC 60529, IP 69K acc. to DIN 40050-9
Environmental Assessment	55°C / 93% r.h. acc. to DIN EN 60068-2-30
Salt Spray Test (acc. to DIN 50021-SS)	24 h / 48 h / 96 h Residence Time

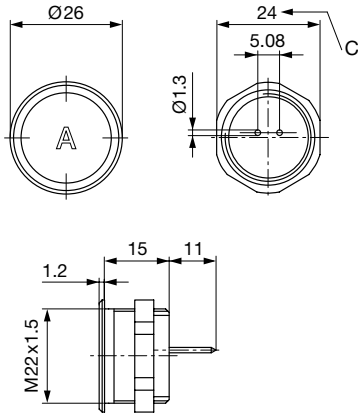
**Material**

Housing (depending on type)	Stainless Steel, Aluminium anodized, Polyamide
Actuating Area / Insert (with Ring Illumination)	Stainless Steel, Aluminium anodized
Illuminated Ring (Ring Illumination)	Polyamide

Detailed information on product approvals, code requirements, usage instructions and detailed test conditions can be looked up in [General Product Information](#)

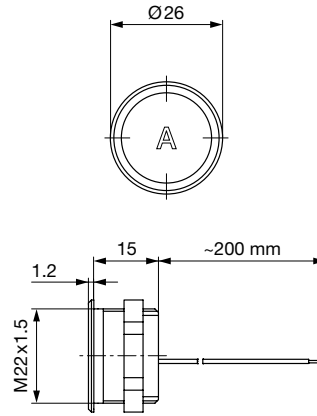
**Dimension**

PSE M22 with Pins

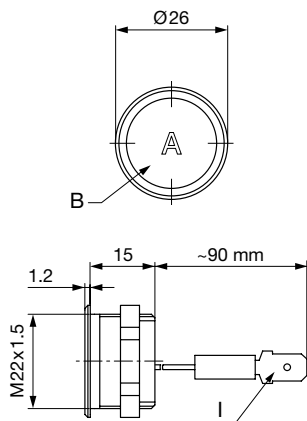


Version available on request

PSE M22 with Wire

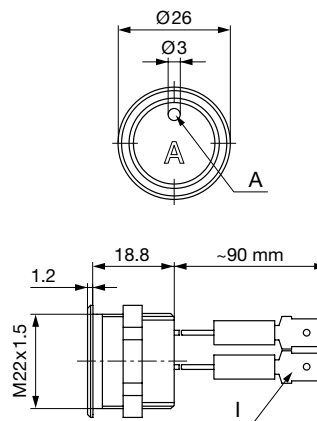


PSE M22 with Crimp Terminal male

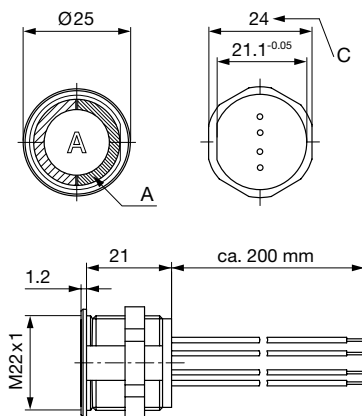


Version available on request

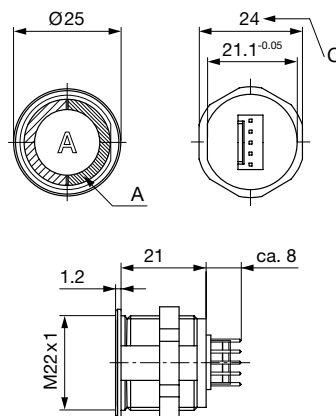
PSE M22 PI with Crimp Terminal male



PSE M22 RI with Wires

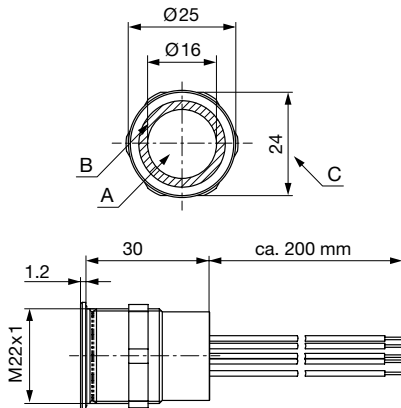


PSE M22 RI with Plug Connector

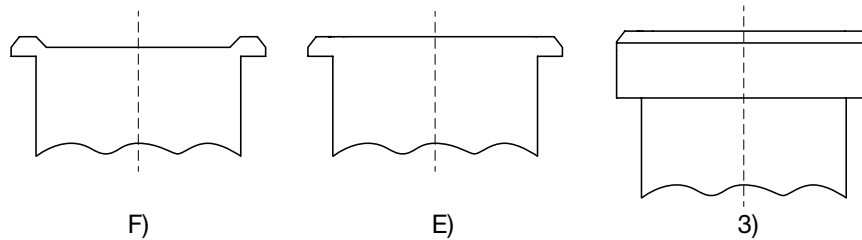


Version available on request

PSE M22 RI Multicolor with wires



Design actuating area



Legend:

- A = Illumination Area
- B = Actuating Area
- C = Width Across Flats
- I = Crimp Terminal male 6.3 x 0.8
- PI = Point Illumination
- RI = Ring Illumination

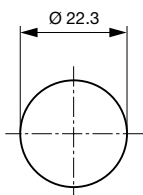
Lettering:

- either with/without lettering
- position of the connections with respect to the position of the lettering is not defined

- F) with finger guidance
- E) without finger guidance
- 3) elevated front design: M19 (standard, others on request)

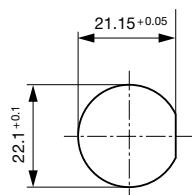
Dimension

PSE M22



Drilling diagram

PSE M22 RI



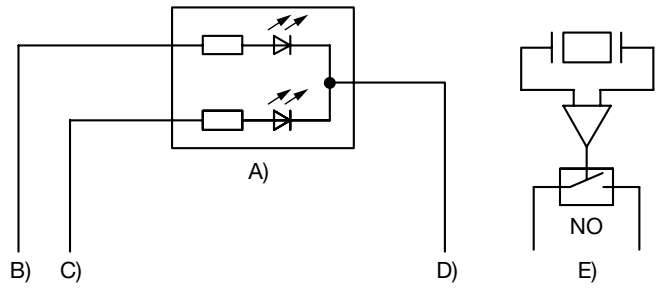
Drilling diagram

Diagrams

Lighting options Multicolor

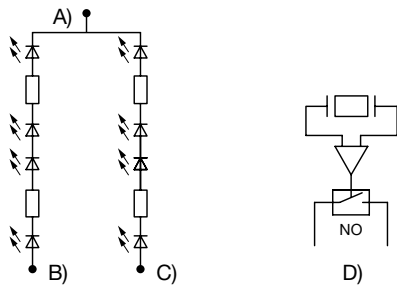
Lighting type	Active terminal A) <span style="color:red">●</span>	Active terminal B) <span style="color:green">●</span>	Active terminal C) <span style="color:blue">●</span>	Resulting Color
Multicolor Singlecolor	A			Red <span style="color:red">●</span>
Multicolor Singlecolor		B		Green <span style="color:green">●</span>
Multicolor Singlecolor			C	Blue <span style="color:blue">●</span>
Multicolor RGB Additive 2	A	B		Yellow <span style="color:yellow">●</span>
Multicolor RGB Additive 2	A		C	Magenta <span style="color:magenta">●</span>
Multicolor RGB Additive 2		B	C	Cyan <span style="color:cyan">●</span>
Multicolor RGB Additive 3	A	B	C	White <span style="color:white">○</span>

PSE PI



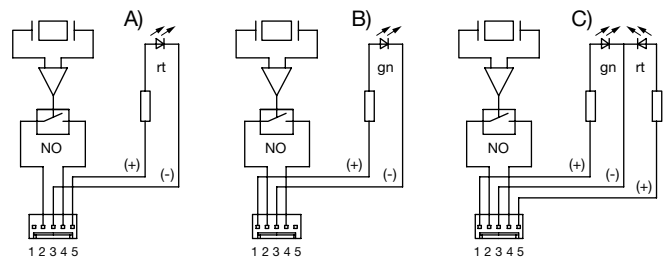
- A) Double-LED (2 colors, 3 pins) or simple LED (2 pins)
- B) Cable 1 (color 1 of the LED), Supply voltage
- C) Cable 2 (color 2 of the LED), Supply voltage
- D) Cable 3 (black), Mass
- E) Cable 4 and 5 (white), input and output PSE switch

PSE M22 RI with Wires, 12/24 V



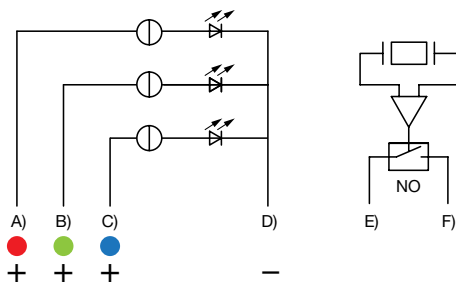
- A) Cable 5 (black), Common mass of both LED groups
- B) Cable 1 (color of the LEDs), Supply voltage first LED group
- C) Cable 2 (color of the LEDs), Supply voltage second LED group
- D) Cable 3 and 4 (white), Input and output PSE switch

PSE M22 RI with Quick Connect Terminal, 12/24 V



- A) Illuminated red
- B) Illuminated green
- C) Illuminated red/green

PSE M22 / M24 / M27 / M30 RI Multicolor



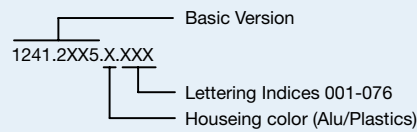
- A) Cable 1 (color of the LED), Supply voltage
- B) Cable 2 (color of the LED), Supply voltage
- C) Cable 3 (color of the LED), Supply voltage
- D) Cable 4 (black), Common mass
- E) Cable 5/6 (white), Input and output PSE switch
- F) Cable 5/6 (white), Input and output PSE switch

## Lettering

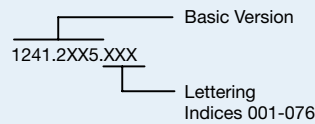
The last three digits in the order number define the lettering:

001-076	Standard Lettering
101-	Customized Lettering

### Lettering - Aluminium / Plastic Material



### Lettering - Stainless Steel



## Lettering Colour of Laser Lettering

Material	Lettering Colour	
Stainless Steel	black	Filled letters
Aluminum natural anodized	light grey	Filled letters (only after customer approval)
Aluminum coloured anodized	light grey	Filled letters

## Order Index Lettering

Laser Marking			
001 = <b>A</b>	021 = <b>U</b>	041 = ÷	061 = <b>EIN</b>
002 = <b>B</b>	022 = <b>V</b>	042 = *	062 = <b>AUS</b>
003 = <b>C</b>	023 = <b>W</b>	043 = =	063 = <b>AUF</b>
004 = <b>D</b>	024 = <b>X</b>	044 = #	064 = <b>AB</b>
005 = <b>E</b>	025 = <b>Y</b>	045 = ↔	065 = <b>ON</b>
006 = <b>F</b>	026 = <b>Z</b>	046 = †	066 = <b>OFF</b>
007 = <b>G</b>	027 = <b>0</b>	047 = →	067 = <b>UP</b>
008 = <b>H</b>	028 = <b>1</b>	048 = ←	068 = <b>DOWN</b>
009 = <b>I</b>	029 = <b>2</b>	049 = ↓	069 = <b>HIGH</b>
010 = <b>J</b>	030 = <b>3</b>	050 = ↑	070 = <b>LOW</b>
011 = <b>K</b>	031 = <b>4</b>	051 = %	071 = <b>ON/OFF</b>
012 = <b>L</b>	032 = <b>5</b>	052 = √	072 = <b>START</b>
013 = <b>M</b>	033 = <b>6</b>	053 = <b>CTRL</b>	073 = <b>RESET</b>
014 = <b>N</b>	034 = <b>7</b>	054 = <b>RETURN</b>	074 =
015 = <b>O</b>	035 = <b>8</b>	055 = <b>SHIFT</b>	075 =
016 = <b>P</b>	036 = <b>9</b>	056 = <b>LOCK</b>	076 =
017 = <b>Q</b>	037 = <b>+</b>	057 = <b>STOP</b>	077 =
018 = <b>R</b>	038 = <b>-</b>	058 = <b>ENTER</b>	
019 = <b>S</b>	039 = <b>.</b>	059 = <b>BACK</b>	
020 = <b>T</b>	040 = <b>x</b>	060 = <b>LINE</b>	

## All Variants

Mounting Diameter	Terminal	Housing Material, Torsion Protection	Colour of Housing	Actuator area	Illumination, LED	Config. Code	Order Number
22	Flexible wire	Aluminum ,no	Alu natural	F	non-illuminated	PSE M 22 IV	1241.3998
22	Flexible wire	Aluminum ,yes	Alu natural	E	Ring Illumination, green, 12 VDC	PSE M 22 IV RI	1241.3331
22	Flexible wire	Aluminum ,yes	Alu natural	E	Ring Illumination, red / green, 12 VDC	PSE M 22 IV RI	1241.3332
22	Flexible wire	Aluminum ,yes	Alu natural	E	Ring Illumination, red, 12 VDC	PSE M 22 IV RI	1241.3330
22	Flexible wire	Aluminum ,yes	Alu natural	E	Ring Illumination, green, 24 VDC	PSE M 22 IV RI	1241.3334

Mounting Diameter	Terminal	Housing Material, Torsion Protection	Colour of Housing	Actuator area	Illumination, LED	Config. Code	Order Number
22	Flexible wire	Aluminum ,yes	Alu natural	E	Ring Illumination, red / green, 24 VDC	PSE M 22 IV RI	1241.3335
22	Flexible wire	Aluminum ,yes	Alu natural	E	Ring Illumination, red, 24 VDC	PSE M 22 IV RI	1241.3333

Nut with gasket are enclosed in the box.

Other mounting diameters, materials, colors, connections, supply voltages possible available on request.  
Special materials e.g. Marine grade stainless steel for use in salt and chlorinated environment on request.

Availability for all products can be searched real-time:<http://www.schurter.com/en/Stock-Check/Stock-Check-SCHURTER>

Legend:

Type: PSE

NO = normaly open

IV = prolonged signal

RU = PI = Point Illumination

RI = Ring Illumination

LE = Lettered

K = Plastics

Alu = Aluminium

ES = Stainless steel

F = Finger guidance

E = without finger guidance

**Packaging unit** 10 in box with insert or packed in air cushion bags



- Actuating elements in ESD safe packaging
- Screw nuts and sealing rings in a bag (enclosed in the box)

Accessories

Description



Connecting Terminal PSE  
Connecting Terminal